

Digital-to-Analog (DAC) Conversion

When a number is expressed in binary or binary-coded decimal and an analog voltage is to be produced to represent the number, the most practical way to perform this conversion is to add the currents having values proportional to the weights of the binary bits. Figure 1 represents a simplified binary weighted D/A converter. Switches S1 to SN represent the binary bits and connect either to ground or a reference voltage. Figure 1 shows switch S1 connecting R to the reference voltage and all other switches connected to ground; but since point A is a virtual ground, there is no current through 2R, 4R, up to 2N-1R. The amplifier has, therefore, a gain of $\frac{-5K}{10K} = -0.5$. If the reference voltage is -16V, the output voltages will be: R = 8V, 2R = 4V, 4R = 2V and for 8R = 1V. If S1 and S2 connect to the reference (the other switches to ground), the gain is $\frac{-5K}{6.66K} = 0.75$ and the output voltage 12V. The output is inversely proportional to the value of R.

The disadvantage of the circuit is high-value resistors representing low-weight bits. A better solution is a ladder configuration for groups of four bits as shown in Figure 2. Between each group of four resistors that represent weights of 1-2-4-8, there is a resistor that reduces the gain of the amplifier by 16 for binary and by 10 for BCD weights. This eliminates the need for high value resistors.

The D/A conversion is further simplified with the ladder circuit shown in Figure 3. Note that only values R and 2R are required.

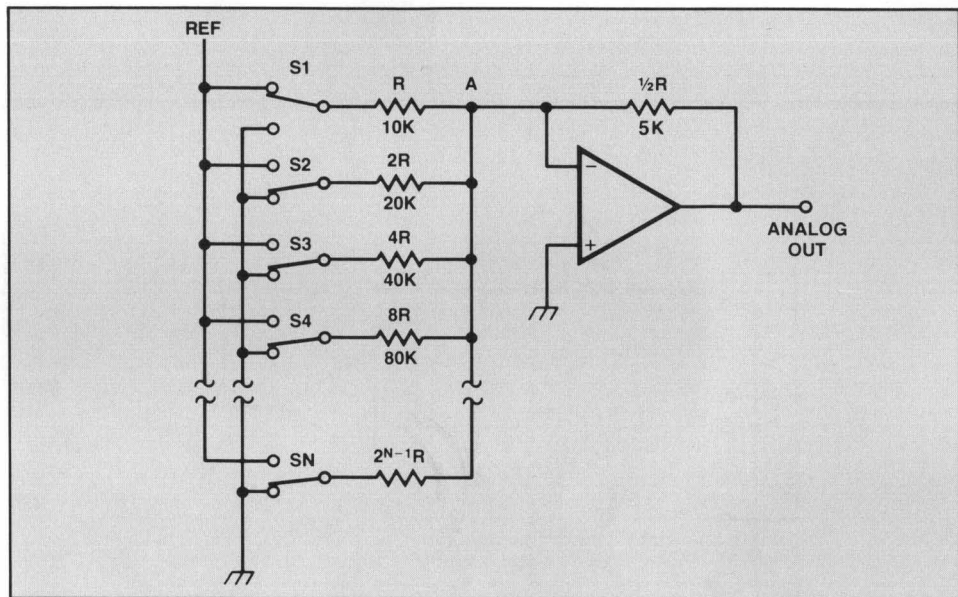


Figure 1. Simplified DAC

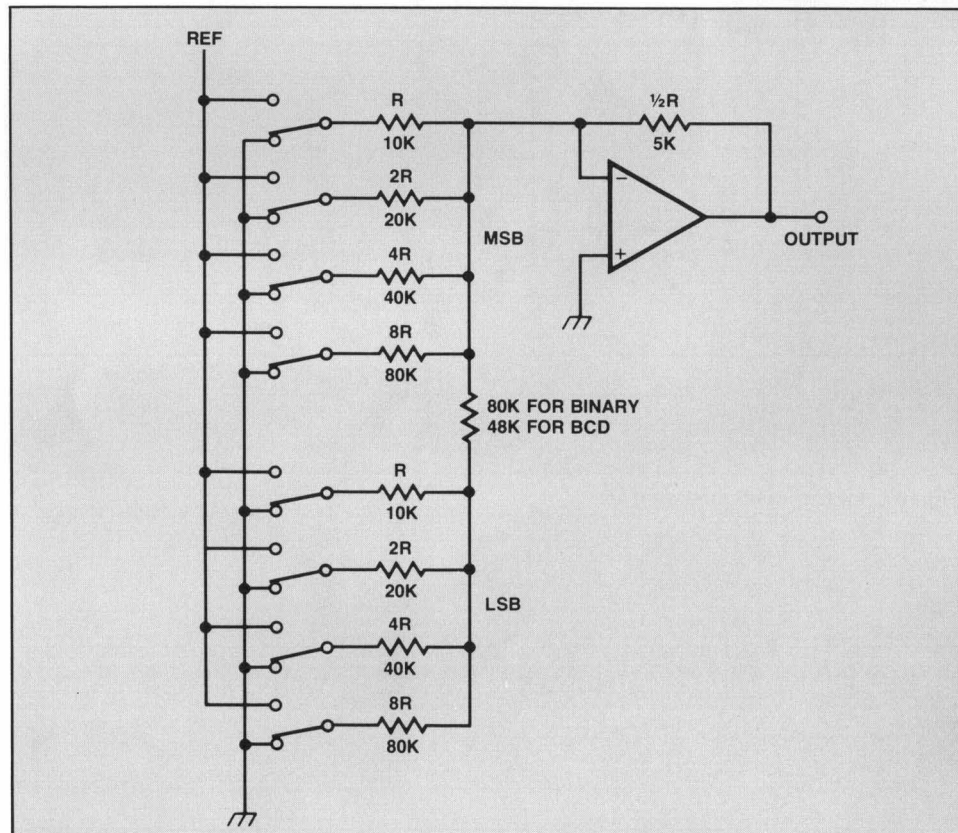


Figure 2. Ladder configuration DAC

If the reference voltage itself is variable or controlled by another D/A converter, this circuit is referred to as a multiplying DAC. The output of such a combination is proportional to the product of the reference voltage and the digital input number.

A four-quadrant multiplying DAC refers to a circuit where the reference voltage as well as the number represented can be of either polarity, and

the output polarity obeys the rules of algebraic signs.

Figure 4 shows an inverted R/2R ladder DAC. The function is identical to Figure 3 but since the reference supply voltage is not switched, the specification of the switches can be relaxed. Figure 4 represents the configuration most often used in integrated circuit DACs.

Figure 5 is an example of a 3-digit BCD digital-to-analog converter with dual polarity output. The 3-digit number is stored in registers U2, U4 and U5. U5 drives the most significant bits. Because the on-resistance of U5 is high compared to the resistance values of the ladder network, buffer U7 is inserted. The U3 summing amplifier produces the negative output and U1 the positive output. Polarity switching is accomplished by FET switches Q6 and Q7.

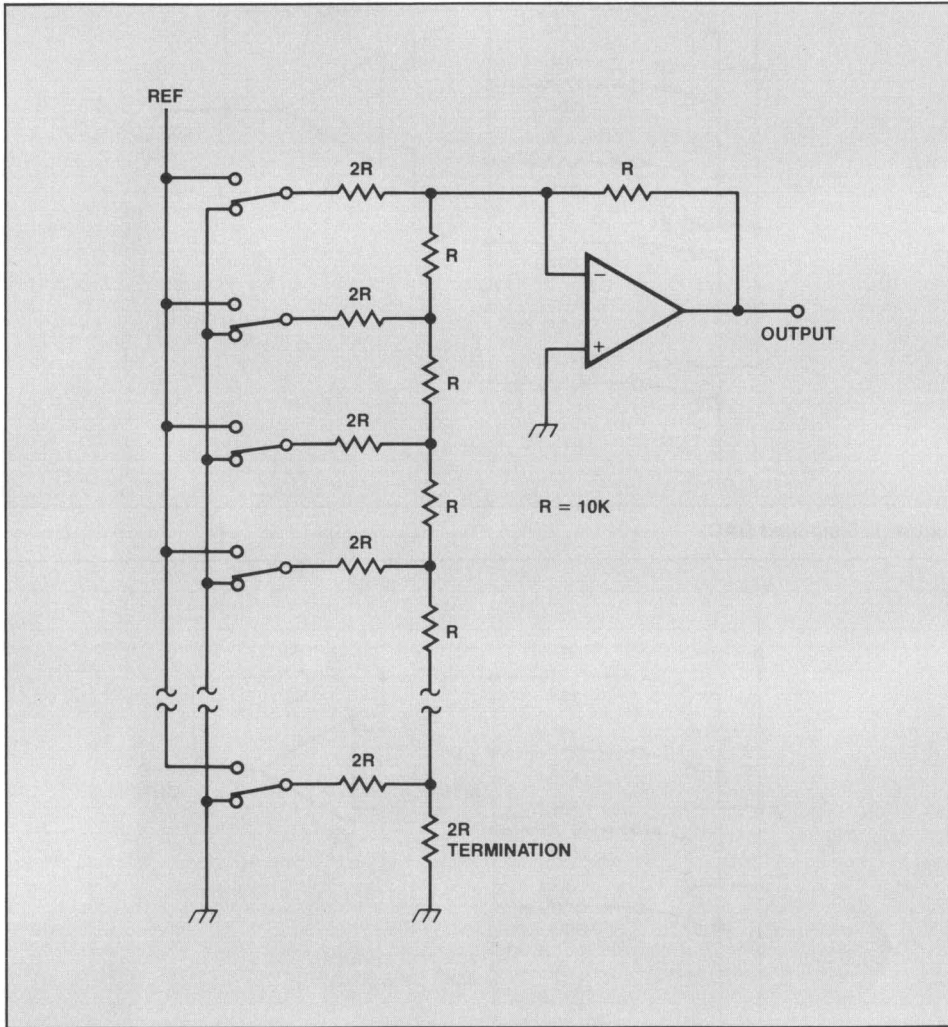


Figure 3. Ladder configuration DAC

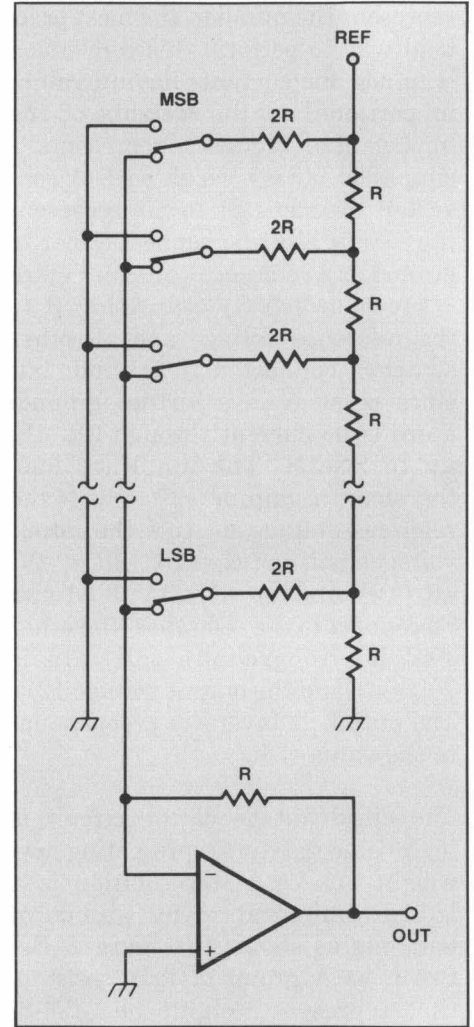


Figure 4. Simplified ladder configuration DAC (reference voltage not switched)

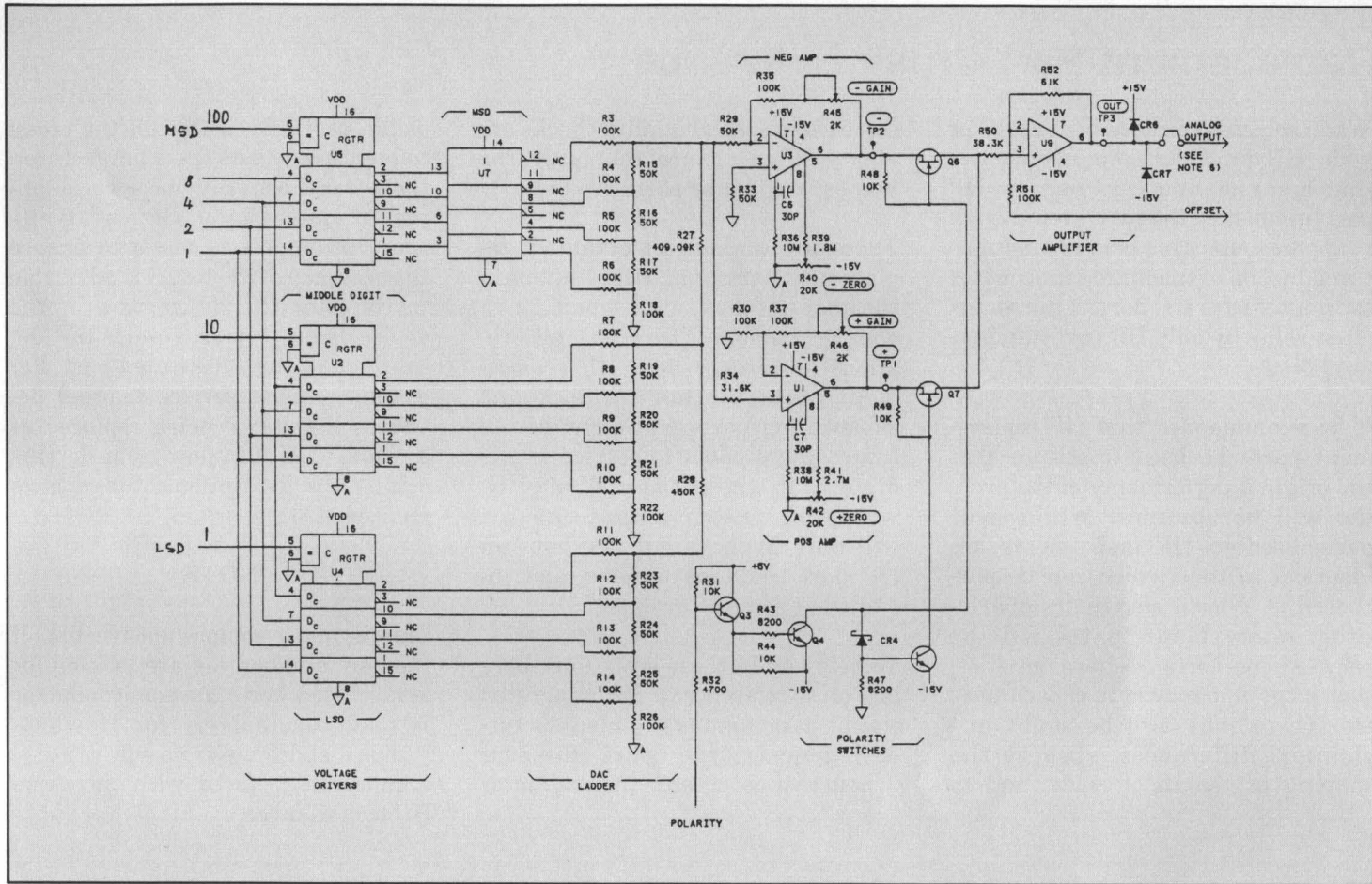


Figure 5. Actual DAC circuit

READERS' CORNER

Third Grade Material?

The article on semiconductors in the 3rd Quarter 1987 issue of Bench Briefs was on a third grade level. This would be of no help to service technicians.

Those with only a military or trade school training may need such assistance, but such training is no longer acceptable to most firms. Two years of intensive college training leading to the Associate Degree are now required.

Many firms have examined the proper use of legitimate, degreed technicians, and have increased entry pay scales to more competitive levels.

Service technicians who must work on complex electronic equipment need a solid publication with advanced theory and troubleshooting information—NOT a third grade science lesson.

Glen W. Spielbauer
Texas

In years of correspondence with Bench Briefs' readers I have found wide and varied backgrounds, many with only the military or trade school training you mention. And, judging from the requests for article reprints and general comments on articles, I find that basic and fundamental topics generate the most interest. The common thread running through all correspondence is that in this highly specialized world we live in, a lot of the basic fundamentals have been forgotten.

It is impossible to write an article that will appeal to all readers. So I hope you will be patient and watch for something more to your liking.

Editor

The Rotary Pulse Generator

I must commend the author and inventor of the Rotary Pulse Generator (Bench Briefs 2nd Quarter 1987). I detest a noisy control and the scratch from an old phonograph record. Bet you are too young to remember the phonograph that played on a beam of light—built by Philco before WWII. No scratch!

But, I'm having some difficulty controlling the RPG. When I spin the control knob

(perhaps it has an inertia wheel) my minds eye tells me I must put on the brakes and either advance some more or back up. This is not too bad I guess. However, I have another idea.

Mount a lamp in a cylinder or behind a disc having a wedge-shaped window. The first increment of rotation either right or left brings the light to shine on a phototransistor. The first contact of light increments the count up or down by one. Each phototransistor could serve as a gate for a pulse generator. The pulse generator frequency is to be controlled by the wedge-shaped beam of light by also falling on a photoresistor. The photoresistor will only "see" light after the control is moved past the first increment position.

I'll look for your comments in Bench Briefs.

Signed,

⊖ I²R-R+L²
Florida

It looks to me that the more detailed diagram of the RPG in the 3rd Quarter Bench Briefs is very close to the circuit you are describing. The main difference being your photoresistors determining speed. An interesting concept.

Editor

Replacement Part Cross Reference

When selecting replacement parts for your HP products, you may notice that many manuals list only an HP part number for the part, even though it appears that this part is manufactured by one of the large semiconductor manufacturers. Service personnel often ask why only HP part numbers are listed.

It is recommended that HP replacement parts be used to ensure that the original performance of the product will be obtained. While some parts used in HP instruments are identical to that which can be purchased at a local electronics distributor, many times parts will be selected for certain characteristics, such as gain, bandwidth, capacitance, etc. There may also be slight mechanical differences, such as the shaping or length of leads, and in

some cases special quality checks are employed to ensure that only the highest reliability parts are used.

Therefore, we suggest obtaining replacement parts from HP to maintain the quality that you have paid for in your instrument. There may be situations however, where HP replacement parts are not in stock and substituting parts will allow you to return the product to service immediately. In these cases it may be worthwhile to see if a substitute part will work in the circuit. Perhaps an HP part could be ordered and installed at some later date.

To help you in these situations, here is a cross-reference of HP integrated circuit part numbers to manufacturers "generic type" part numbers (whom in most cases is the originator

of the part). Even though the cross-reference only lists one manufacturer, there may actually be several approved sources for an HP part. While every attempt was made to ensure the accuracy of the list, it is advisable to compare the description of the device being replaced with the description of the substituted part. For example, if the service manual describes the device being replaced as a "dual J-K flip-flop", check this against the description of the replacement part.

NOTE

This is not a comprehensive list. If the part number you are looking for is not listed here, the semiconductor is made exclusively for Hewlett-Packard and there is no substitute—it must be replaced with the same HP part number. □

Manufacturers Code Number Cross Reference

No. Manufacturer

00039	NEC ELECTRONICS INC	MTN VIEW	CA	9404380545	8
00046	UNITRODE CORP	LEXINGTON	MA	021739N171	3
00350	EXAR INTEGRATED SYSTEMS INC	SUNNYVALE	CA	9408652063	9
00575	WESTERN DIGITAL CORP	NEWPORT BEACH	CA	9262652840	1
01425	STANDARD MICROSYSTEMS CORP	HAUPPAUGE	NY		8
01542	HP DIV 01 OED	SAN JOSE	CA	9513128480	0
01590	PLESSEY SEMICONDUCTORS	SANTA ANA	CA	9270552648	9
01698	TEXAS INSTRUMENTS INC	DALLAS	TX	7526501295	0
01876	HP DIV 02 SCD IC'S	SANTA CLARA	CA	9505028480	2
01921	RCA CORP	NEW YORK	NY	101123L585	6
01973	GE CO SEMICONDUCTOR PROD DEPT	AUBURN	NY	1320103508	7
01991	TRANSITRON ELECTRONIC CORP	WAKEFIELD	MA	0188024046	9
02023	ITW SWITCHES	CHICAGO	IL	6063104426	0
02037	MOTOROLA INC	ROSELLE	IL	6019504713	0
02180	PRECISION MONOLITHICS INC	SANTA CLARA	CA	9505406665	8
02237	FAIRCHILD SEMICONDUCTOR CORP	CUPERTINO	CA	9501407263	6
02290	RAYTHEON CO SEMICONDUCTOR DIV HQ	MOUNTAIN VIEW	CA	9404007933	5
02598	UNITRODE CORP	WATERTOWN	MA	0217212969	31
02686	WATKINS-JOHNSON CO	PALO ALTO	CA	9430414482	4
02713	GENERAL INSTRUMENT CORP (DIODE)	HICKSVILLE	NY	1180214936	6
02763	TELEDYNE SEMICONDUCTOR	MOUNTAIN VIEW	CA	9404315818	1
02838	DYNAMIC MEASUREMENTS CORP	WINCHESTER	MA	0189017191	1
02882	ZELTEX INC SUB OF REDCOR CORP	CONCORD	CA	9452017850	9
02883	SILICONIX INC	SANTA CLARA	CA	9505417856	7
02910	SIGNETICS CORP	SUNNYVALE	CA	9408618324	8
03285	ANALOG DEVICES INC	NORWOOD	MA	0206224355	4
03291	AVANTEK INC	SANTA CLARA	CA	9505424539	2
03406	NATIONAL SEMICONDUCTOR CORP	SANTA CLARA	CA	9505227014	6
03545	TELEDYNE PHILBRICK NEXUS	DEDDAM	MA	0202629832	1
03677	AMERICAN MICRO SYSTEMS INC	SANTA CLARA	CA	9505131471	2
03688	ANALOGIC CORP	WAKEFIELD	MA	0188031814	9
03714	INTERSIL INC	CUPERTINO	CA	9501432293	3
03755	HYBRID SYSTEMS CORP	BURLINGTON	MA	0180333256	X 6
03780	INTECH INC	SANTA CLARA	CA	9505033967	7
03793	SILICON GENERAL INC	SAN JOSE	CA	9513434333	3
03794	ADVANCED MICRO DEVICES INC	SUNNYVALE	CA	9408634335	5
03799	HARRIS CORP	MELBOURNE	FL	3290134371	4
03811	INTEL CORP	SANTA CLARA	CA	9505434649	7
03947	NCR CORP	DAYTON	OH	4547942470	9
04077	CERMETEK INC DIV REPUBLIC CORP	MOUNTAIN VIEW	CA	9404050077	4
04078	MOSTEK CORP	CARROLLTON	TX	7500650088	2
04092	MONOLITHIC MEMORIES INC	SANTA CLARA	CA	9505450364	3
04200	SPRAGUE ELECTRIC CO	LEXINGTON	MA	0217356289	2
04507	TRW INC	CLEVELAND	OH	4412471785	0
05436	BURR-BROWN CORP	TUCSON	AZ	857068E175	1
05542	HONEYWELL INC	MINNEAPOLIS	MN	5540891929	6

No. Manufacturer

05917	RIFA AB	STOCKHOLM	SW	S-163C0633	0
05946	VALVO GMBH	HAMBURG	GM	2000D2540	9
06121	SIEMENS AG	MUNICH	GM	8000	8
06338	SGS ATES	MILAN	IT	A3500	8
06344	FUJITSU MICROELECTRONICS INC	SANTA CLARA	CA	95054S0167	6
06347	HITACHI AMERICA LTD	SUNNYVALE	CA	94086S4013	9
06354	TOSHIBA CORP	TOKYO	JP	S0562	5
06394	FERRANTI LTD ELECTRONICS DIV	OLDHAM LANCS	EG	K1196	1
06545	LAMBDA ELECTRONICS CORP	MELVILLE	NY	1174680103	8
06563	SIEMENS CORP COMPONENTS GROUP	SCOTTSDALE	AZ	8525212954	31
06861	MICRO NETWORKS CORP	WORCESTER	MA	0160650507	29
06916	SONY CORP	TOYKO	JP	141 S0482	1
07050	MICRO POWER SYSTEMS	SANTA CLARA	CA	9505054186	8
07221	SUPERTEX INC	SUNNYVALE	CA	94086	5
07371	SANYO ELECTRIC INC	TOKYO	JP		8
07397	ENGINEERED COMPONENTS CO	SAN LUIS OBISPO	CA	93401	3
08323	HP DIV 49 CICO	CUPERTINO	CA		8
08507	INTERDESIGN	SCOTT'S VALLEY	CA		6
08565	COMPUTER LABS INC	GREENSBORO	NC		4
08608	SILICON SYSTEMS INC	TUSTIN	CA		2
08661	TELARIS TELECOMMUNICATIONS INC	IRVINE	CA		1
08810	ROCKWELL INTERNATIONAL	ANAHEIM	CA		4
09161	MITEI SEMICONDUCTOR	KANATA OTTAWA	CN		1
09274	ANALOG SYSTEMS	TUCSON	AZ		2
09283	TOPAZ SEMICONDUCTOR	SAN JOSE	CA	95132	3
10253	INTEGRATED DEVICE TECHNOLOGY, INC	SANTA CLARA	CA		3
10321	DATTEL-INTERSIL	MANSFIELD	MA		8
10421	EPSON	TORRENCE	CA		6
10858	LINEAR TECHNOLOGY CORP	MILPITAS	CA	95035	9
10881	THOMSON-CSF	COURBEVOIE	FR		1
11111	SEEQ TECHNOLOGY INC	SAN JOSE	CA		2
11302	MAXIM INTEGRATED PRODUCTS	SUNNYVALE	CA		7
11320	ATT TECHNOLOGY	CHICAGO	IL		9
11345	CYPRESS SEMICONDUCTOR CORP	SAN JOSE	CA	95134	6
11452	ANAHEIM AUTOMATION PRODUCTS DIV	ANAHEIM	CA		0
11561	RELIABILITY INC	TIPPERARY	IR		8
11596	CIRCUIT TECHNOLOGY INC	FARMINGDALE	NY		4
11604	COMLINEAR CORP	LOVELAND	CO	80537	6
11668	ROCKWELL INT'L, SEMICONDUCTOR DIV.	NEWPORT BEACH	CA		1
11688	CALEX MANUFACTURING CO INC	PLEASANT HILL	CA	94523	9
11825	ANALOG SOLUTIONS	CONCORD	CA	94518	7
11943	SIERRA SEMICONDUCTOR	SAN JOSE	CA	95132	8
12125	SAMSUNG SEMICONDUCTOR INC	SANTA CLARA	CA	95054	1
12147	TELMOS INC	SUNNYVALE	CA	94086	5
12276	NIPPON GAKKI CO LTD	TOKYO	JP	438-0	2

HP P/N	Mfr.	Desc.	1818-0279	02237	3341ADC	1820-0238	02037	MC1810P	1820-0425	01698	SN74100N
0960-0397	03285	ADC12QZ003	1818-0422	02237	3351LDC	1820-0239	02037	MC3002P	1820-0427	02037	MC1496G
0960-0631	03285	DAC16QM/C-B	1820-0001	01973	4XJ19A555	1820-0242	03406	LM301AH, 22V	1820-0429	03406	LM309H
0960-0632	03285	DAC12QS/C-B	1820-0006	01973	4XJ19A519	1820-0247	03406	LM305H	1820-0430	03406	LM309K
1813-0013	03285	40K	1820-0010	01973	4XJ19A519	1820-0249	01921	CA3051	1820-0433	01921	CA3023
1813-0016	05436	3112/12C	1820-0013	02037	MC352G	1820-0252	02037	MC1026P	1820-0435	01698	SN74180N
1813-0034	03714	IHS010CPD	1820-0044	01973	RA1A	1820-0253	02037	MC1035P	1820-0437	02037	MC4015P
1813-0036	03755	DAC372-12-BCD	1820-0046	01921	CA3005	1820-0254	01876	A141A-0100	1820-0439	02237	UA723PC
1813-0039	02882	ZD441	1820-0047	01921	CA3010	1820-0256	02037	MC858P	1820-0440	02037	MC1016P
1813-0040	02882	ZD440	1820-0050	02037	MC1531G	1820-0257	02037	MC857P	1820-0441	02037	MC1801P
1813-0041	03406	LH0042CH	1820-0051	02237	702HC	1820-0258	02037	MC852P	1820-0443	01698	SN74L93N
1813-0048	03285	751N	1820-0052	02237	923HC	1820-0259	02037	MC840P	1820-0444	02037	MC1025P
1813-0049	02763	2740CE	1820-0054	01698	SN7400N	1820-0260	02037	MC839P	1820-0445	01698	SN5402N
1813-0054	03406	AH0154D	1820-0055	01698	SN7490AN	1820-0261	01698	SN74121N	1820-0446	01698	SN5474N
1813-0057	03406	LH0024CH	1820-0056	01698	SN7492AN	1820-0262	03406	DM8590N	1820-0447	01698	SN5410N
1813-0058	03406	LH0021CK	1820-0058	02237	709HC	1820-0269	01698	SN7403N	1820-0448	01698	SN5400N
1813-0082	00046	PIC646	1820-0063	01698	SN7451N	1820-0270	02237	UA733HC	1820-0449	02037	MC3060P
1813-0083	00046	PIC601	1820-0065	01698	SN7470N	1820-0272	02037	MC1022P	1820-0450	02910	N8290N
1813-0084	00046	PIC611	1820-0067	02910	SP631N	1820-0273	02037	MC1806P	1820-0451	02037	MC3062P
1813-0092	05436	DAC80-CCD-V	1820-0068	01698	SN7410N	1820-0274	02037	MC1808P	1820-0454	02037	MC1805P
1813-0093	02237	UA78H12SC	1820-0069	01698	SN7420N	1820-0275	02037	MC1039P	1820-0455	02910	N8288N
1813-0094	05436	DAC80-CBI-I (SEL'D)	1820-0070	01698	SN7430N	1820-0276	02037	MC1033P	1820-0456	02910	N8855N
1813-0098	05436	ADC80AG-12	1820-0071	01698	SN7440N	1820-0277	02037	MC1460R	1820-0457	02910	N8162N
1813-0100	02237	UA78H055C	1820-0072	01698	SN7450N	1820-0279	01698	TIXL105	1820-0458	02910	N8816N
1813-0105	06861	DAC80-CBI-V	1820-0074	01698	SN7454N	1820-0281	01698	SN74107N	1820-0459	02910	N8440N
1813-0109	00046	PIC625	1820-0075	01698	SN7473N	1820-0282	01698	SN7486N	1820-0460	02910	N8480N
1813-0110	00046	PIC626	1820-0076	01698	SN7476N	1820-0285	01876	A159-0150	1820-0461	02910	N8880N
1813-0114	02598	PIC645	1820-0077	01698	SN7474N	1820-0286	01876	A159-0200	1820-0462	02910	N8251N
1813-0115	00046	PIC600	1820-0078	02910	SP620N	1820-0287	02037	MC672P	1820-0463	02910	N8H70N
1813-0118	05436	DAC80-CBI-I (SEL'D)	1820-0081	02237	911HC	1820-0288	02037	MC662P	1820-0464	02910	N8H90N
1813-0123	02237	UA78HGKC	1820-0083	01698	SN7510L	1820-0292	01876	A152A-0100	1820-0465	02910	N8H80N
1813-0124	02237	UA78H15KC	1820-0084	01698	SN7453N	1820-0293	01876	A152B-0100	1820-0466	02910	N8825N
1813-0125	05436	DAC80-CBI-V (SEL'D)	1820-0085	01698	SN7460N	1820-0294	03406	DM8570N	1820-0467	02910	N8881N
1813-0127	02237	UA79HGKC	1820-0086	01698	SN15830N	1820-0296	01876	A154B-0100	1820-0468	01698	SN7445N
1813-0132	06861	MNDACT1CSB-I	1820-0087	02037	MC850P	1820-0297	01921	CA3000	1820-0469	01698	SN74H102N
1813-0133	02838	7162	1820-0088	02037	MC851P	1820-0298	01921	CA3020	1820-0470	03285	118A
1813-0138	02037	MHW592	1820-0094	02037	MC846P	1820-0301	01698	SN7475N	1820-0471	01698	SN7406N
1813-0140	05436	SMM857KG	1820-0095	02037	MC848P	1820-0302	02910	SP670N	1820-0472	02037	MC1001P
1813-0142	03285	AD522BD	1820-0096	02037	MC832P	1820-0303	02910	SP680N	1820-0473	02037	MC1048P
1813-0147	10321	DAC-HA12DC	1820-0098	01876	A167A-0100	1820-0304	01698	SN7472N	1820-0474	01921	CA3012
1813-0150	03714	ICMT209IPA	1820-0099	01698	SN7493AN	1820-0305	01698	SN7483AN	1820-0475	03406	LM306H
1813-0151	05436	3527AM SELECTED	1820-0100	03406	DM7441AN	1820-0306	01921	CA3028A	1820-0476	02237	UA715HC
1813-0155	10321	ADC-H212BGC (SELECTED)	1820-0101	02037	MC1034P	1820-0307	02237	936PC	1820-0477	03406	LM301AN
1813-0160	03406	DH0034CD	1820-0102	02037	MC1013P	1820-0308	01698	SN15845N	1820-0478	03406	LM308H
1813-0165	08565	MDMS-1101	1820-0104	03406	LM201H	1820-0309	02237	960DC	1820-0479	02037	MC835P
1813-0168	08661	7516	1820-0106	02037	MC816P	1820-0310	01698	SN15862N	1820-0482	02237	9838DC
1813-0177	03285	ADDAC80-V	1820-0110	02037	MWA110	1820-0311	02237	931HC	1820-0485	02237	9816DC
1813-0212	02037	MWA120	1820-0111	02237	9301PC	1820-0316	02037	MC1433G	1820-0488	02237	9834DC
1813-0213	02037	MWA130	1820-0113	01991	TOA3709V	1820-0317	02037	MC1433P	1820-0489	01698	SN74145N
1813-0214	02037	MWA210	1820-0116	01876	A142A-0100	1820-0318	02910	SP616N	1820-0491	02910	N8291N
1813-0215	02037	MWA220	1820-0117	01876	A141A-0100	1820-0319	02910	SP629N	1820-0492	02910	N8291N
1813-0216	02037	MWA230	1820-0119	01876	A141A-0100	1820-0320	02910	SP659N	1820-0493	03406	LM307N
1813-0217	02037	MWA310	1820-0121	02910	N8790N	1820-0321	02237	710HC	1820-0495	02237	9311PC
1813-0218	02037	MWA320	1820-0122	02037	MC853P	1820-0322	02910	N8280N	1820-0497	01698	SN74L95N
1813-0219	02037	MWA330	1820-0123	03406	LM300H	1820-0323	02037	MC889P	1820-0498	04200	UM1500
1813-0232	03285	AD545J	1820-0125	02237	UA711HC	1820-0324	02037	MC824P	1820-0505	03406	DM8220N
1813-0251	05436	DAC71-CSB-I	1820-0127	02237	9002DC	1820-0325	02037	MC815P	1820-0506	02910	N8266N
1813-0257	03285	AD574AKD	1820-0128	02237	937DC	1820-0326	01921	CA3029	1820-0507	02910	N8263N
1813-0264	05436	ADC80AGZ-12(PER HP DWG)	1820-0129	02237	9003DC	1820-0327	01698	SN7401N	1820-0508	02910	N8202N
1813-0283	05436	DAC71-CSB-V	1820-0130	02237	9004DC	1820-0328	01698	SN7402N	1820-0509	02037	MC1488L
1813-0310	04077	CH1710-01	1820-0131	02237	9009DC	1820-0329	01876	A165-0100	1820-0510	02037	MC1489L
1813-0311	04077	CH1720-01	1820-0132	02237	9016DC	1820-0330	02237	9000DC	1820-0511	01698	SN7408N
1813-0312	04077	CH1730-01	1820-0134	02237	9300PC	1820-0341	02237	9094DC	1820-0512	01698	SN74H74N
1813-0313	04077	CH1740-01	1820-0137	01921	CA3028B	1820-0342	02237	9097DC	1820-0513	01698	SN7409N
1813-0315	03291	GPD-1003	1820-0138	03545	S52	1820-0346	02237	933DC	1820-0514	01698	SN7426N
1813-0316	03291	UTO-507	1820-0140	02037	MC3026P	1820-0348	02237	944PC	1820-0515	02237	9602PC
1813-0317	03291	UTO-561	1820-0141	02037	MC3001P	1820-0349	02237	949PC	1820-0516	02237	9112DC
1813-0318	03291	GPD-410	1820-0142	02037	MC1004P	1820-0350	02237	961DC	1820-0517	02237	9865DC
1813-0319	03291	GPD-420	1820-0143	02037	MC1027P	1820-0351	02237	963DC	1820-0518	02237	9853DC
1813-0320	03291	GPD-331	1820-0144	02037	MC1018P	1820-0357	02237	9304PC	1820-0519	02237	9822DC
1813-0321	07397	MDPMG-TTL-35	1820-0145	02037	MC1010P	1820-0362	01698	SN7480N	1820-0520	02237	9806DC
1813-0322	05436	ADC76JG	1820-0146	02037	MC1017P	1820-0363	01698	SN7482N	1820-0533	02037	MC838P
1813-0361	02237	UA78P05SC	1820-0147	02037	MC1007P	1820-0364	01698	SN7491AN	1820-0535	01698	SN75451BP
1813-0385	03291	GPD-430	1820-0157	02037	MC1023P	1820-0366	01698	SN7494AN	1820-0536	02910	N828AN
1813-0410	03755	DAC9377-16-6	1820-0158	03406	LM302H	1820-0367	01698	SN7495AN	1820-0537	01698	SN7413N
1813-0437	05436	OPA111EM	1820-0160	02037	MC1431P	1820-0368	01698	SN7496N	1820-0538	01698	SN7423N
1813-0439	03291	UTO-2012	1820-0162	03406	LM709H	1820-0370	01698	SN74H00N	1820-0539	01698	SN7437N
1813-0444	03291	UTO-2024	1820-0174	01698	SN7404N	1820-0371	01698	SN74H10N	1820-0542	02910	N823AN
1813-0445	03291	UTO-2023</									

HP P/N	Mfr.	Desc.									
1820-0597	03406	DM74L78N	1820-0770	03406	MM5006H	1820-0940	01921	CD4044AE	1820-1089	01698	SN74279N
1820-0598	03406	DM74L86N	1820-0774	02910	SP374N	1820-0941	01921	CD4043AE	1820-1091	01698	SN5413J
1820-0599	03406	DM74L95N	1820-0777	01698	SN74L42N	1820-0942	01921	CD4000AE	1820-1092	01698	SN54121J
1820-0600	03406	DM74L90N	1820-0778	02237	93L16PC	1820-0943	01921	CD4023UBE	1820-1093	01698	SN5400J
1820-0601	03406	DM74L93N	1820-0780	03406	DS8831N	1820-0944	01921	CD4025UBE	1820-1094	01698	SN5410J
1820-0602	03406	DM74L164AN	1820-0781	03714	IM5013CDD	1820-0945	01921	CD4037AE	1820-1095	01698	SN5474J
1820-0603	03406	DM74L85N	1820-0782	01698	SN7427N	1820-0946	01921	CD4001UBE	1820-1096	01698	SN54196J
1820-0604	02037	MC3025P	1820-0786	02037	MC7250P	1820-0947	01921	CD4030AE	1820-1097	01698	SN5404J
1820-0605	01698	SN74H01N	1820-0788	01698	SN74174N	1820-0948	01921	CD4002UBE	1820-1098	02910	SB292F
1820-0606	01698	SN74181N	1820-0789	02910	N8293N	1820-0949	01921	CD4011UBE	1820-1099	01698	SN5408J
1820-0607	02037	MC4012P	1820-0790	02037	MC1660L	1820-0950	01921	CD4012UBE	1820-1100	01698	SN74298N
1820-0608	02037	MC4006P	1820-0791	02037	MC1068P	1820-0951	01921	CD4019BE	1820-1101	01698	SN5402J
1820-0609	02037	MC3061P	1820-0792	02037	MC1043P	1820-0952	02237	952DC	1820-1107	01698	SN74166N
1820-0610	02037	MC8309P	1820-0793	02037	MC1674L	1820-0953	02237	953DC	1820-1108	02037	MC1648P
1820-0611	01698	SN74182N	1820-0794	02037	MC1670L	1820-0954	02237	954DC	1820-1109	02037	MC4022P
1820-0613	01698	SN74H05N	1820-0795	02037	MC1664L	1820-0955	02237	955DC	1820-1110	01698	SN75110AN
1820-0614	02237	93L08PC	1820-0796	02037	MC1662L	1820-0956	02237	956DC	1820-1111	02237	93L40DC
1820-0615	02037	MC8312P	1820-0797	02037	MC1672L	1820-0957	02237	957DC	1820-1112	01698	SN74L5T4AN
1820-0616	02237	9322PC	1820-0799	01698	SN75452BP	1820-0958	01921	CD4042AF	1820-1113	03406	DM8553N
1820-0617	02037	MC3022P	1820-0801	02037	MC10101P	1820-0961	01921	CD4021AF	1820-1114	02037	MC14516BCP
1820-0618	01698	SN74171N	1820-0802	02037	MC10102P	1820-0962	01921	CD4006AF	1820-1115	03406	DS8822N
1820-0619	01698	SN74H22N	1820-0803	02037	MC10105P	1820-0963	01921	CD4031AE	1820-1116	01698	SN74109N
1820-0620	01698	SN74153N	1820-0804	02037	MC10106P	1820-0964	02237	964DC	1820-1117	02237	9L86PC
1820-0621	01698	SN7438N	1820-0805	02037	MC10107P	1820-0965	02237	965DC	1820-1119	02037	MC1648L
1820-0622	01698	SN74151AN	1820-0806	02037	MC10109P	1820-0966	02237	966DC	1820-1120	04200	UHP-402
1820-0623	03406	DM8200N	1820-0807	02037	MC10110P	1820-0967	02237	967DC	1820-1121	03406	DM8093N
1820-0625	02037	MC666P	1820-0808	02037	MC10111P	1820-0968	02237	968DC	1820-1122	02037	MC14518BCP
1820-0626	02237	93L4PC	1820-0809	02037	MC10115P	1820-0969	01921	CD4035AE	1820-1123	04078	MK5009N
1820-0627	02237	93L01PC	1820-0810	02037	MC10116P	1820-0970	01921	CD4014AE	1820-1124	01698	SN7433N
1820-0629	01698	SN74S112N	1820-0811	02037	MC10117P	1820-0971	02237	971DC	1820-1129	02973	334CJ
1820-0630	02037	MC4044P	1820-0812	02037	MC10118P	1820-0972	02237	952DC	1820-1130	01698	SN74S133N
1820-0631	01698	SN74H108N	1820-0813	02037	MC10119P	1820-0973	02237	953DC	1820-1131	03406	DM8160N
1820-0634	01876	B091-0100	1820-0815	02037	MC10121P	1820-0974	02237	956DC	1820-1132	02037	MC1690L
1820-0637	02910	N8875N	1820-0816	02037	MC10130P	1820-0975	02237	967DC	1820-1137	02037	MC1809P
1820-0639	02037	MC4001P	1820-0817	02037	MC10131P	1820-0976	01921	CD4015BE	1820-1140	02910	N82S62N
1820-0640	01698	SN74150N	1820-0818	02037	MC10133L	1820-0977	01921	CD4034AE	1820-1141	01698	SN74185AN
1820-0655	01698	SN7425N	1820-0819	02037	MC10134L	1820-0978	01921	CD4007AF	1820-1142	01698	SN74L46N
1820-0656	01698	SN74L98N	1820-0820	02037	MC10135L	1820-0979	01921	CD4009AF	1820-1143	03406	DM8552N
1820-0657	02237	93L8PC	1820-0821	02037	MC10136L	1820-0980	01921	CD4010AF	1820-1144	01698	SN74L502N
1820-0658	02237	93L12PC	1820-0822	02037	MC10137L	1820-0981	01921	CD4016AE	1820-1145	01921	CD4049UBE
1820-0659	02237	93L00PC	1820-0825	02037	MC10141L	1820-0982	01876	C164B-0150	1820-1146	01921	CD4050BE
1820-0661	01698	SN7432N	1820-0826	02037	MC10160L	1820-0984	02037	MC7270P	1820-1148	03406	DM8090N
1820-0665	02037	MC1814P	1820-0827	02037	MC10161P	1820-0985	02037	MC1800P	1820-1150	02037	MC14520BCP
1820-0666	02037	MC1006P	1820-0828	02037	MC10162P	1820-0986	03406	DM86L75N	1820-1155	02910	N82S90N
1820-0667	02037	MC1040P	1820-0829	02037	MC10164L	1820-0987	02237	93L18PC	1820-1156	02037	MC2257L
1820-0668	01698	SN7407N	1820-0830	02037	MC10179L	1820-0989	02910	N8271N	1820-1157	02037	MC2259L
1820-0669	02237	93L10PC	1820-0831	02037	MC10181L	1820-0990	02037	MC1489AL	1820-1158	01698	SN74S51N
1820-0681	01698	SN74S00N	1820-0832	03406	MH0007CH	1820-0992	01698	SN5490AN	1820-1162	03406	MM5057N
1820-0682	01698	SN74S03N	1820-0833	02237	9334PC	1820-0993	04078	MK6036P	1820-1163	01698	SN74L153N
1820-0683	01698	SN74S04N	1820-0834	02037	MC4038P	1820-0995	01698	SN7447AN	1820-1165	03406	MM5013N
1820-0684	01698	SN74S05N	1820-0835	02910	N8267N	1820-0998	01698	SN74S153N	1820-1166	03406	DM85L51N
1820-0685	01698	SN74S10N	1820-0836	02037	MC4010P	1820-0999	01698	SN74S181N	1820-1167	03406	DM81L23N
1820-0686	01698	SN74S11N	1820-0837	02910	N8815N	1820-1002	01698	SN74104N	1820-1170	02037	MH0026L
1820-0687	01698	SN74S15N	1820-0839	01698	SN74175N	1820-1003	01876	E144C-0200	1820-1171	01698	SN74143N
1820-0688	01698	SN74S20N	1820-0842	02037	MC4008P	1820-1004	02037	MC7404F	1820-1172	02237	5416DM
1820-0689	01698	SN74S22N	1820-0843	02037	MC4002P	1820-1005	02237	9624DC	1820-1173	02037	MC10124L
1820-0690	01698	SN74S40N	1820-0844	02037	MC426P	1820-1007	02910	N8T23N	1820-1174	01698	TMS4024NC
1820-0691	01698	SN74S64N	1820-0846	03406	DM8094N	1820-1008	03811	C320T	1820-1175	02037	MC14522BCP
1820-0692	01698	SN74S65N	1820-0847	01698	SN74H183N	1820-1009	02237	95990DC	1820-1176	02037	MC14015BCP
1820-0693	01698	SN74S74N	1820-0856	02237	7400DC	1820-1015	01698	SN74S158N	1820-1178	01698	TMS3122NC
1820-0694	01698	SN74S86N	1820-0857	02237	7420DC	1820-1016	01698	SN75453BP	1820-1181	02037	MC14522BAL
1820-0695	01698	SN74S113N	1820-0858	02237	7476DC	1820-1017	02237	93L21PC	1820-1183	02037	MC4016P
1820-0696	01698	SN74S114N	1820-0859	02237	7474DC	1820-1019	01876	E144D-0200	1820-1184	01698	SN7428N
1820-0697	01698	SN74S140N	1820-0860	02237	951DC	1820-1021	03406	DS8800H	1820-1185	01698	SN7426N
1820-0700	02037	MC3029P	1820-0861	02237	946DC	1820-1022	01698	SN5404N	1820-1186	01698	TMS3113NC
1820-0701	02237	93L14PC	1820-0862	02237	948DC	1820-1023	01698	SN5493N	1820-1187	02910	SP380N
1820-0702	02237	93L11PC	1820-0863	02237	9158DC	1820-1024	01698	SN54160N	1820-1188	01921	CD4046AF
1820-0703	02910	N8292N	1820-0864	02237	7403DC	1820-1025	02037	MC1210L	1820-1189	02037	MC14510BCP
1820-0704	01698	SN74122N	1820-0865	02237	944DC	1820-1026	02037	MC1213L	1820-1190	03406	MM74C173N
1820-0705	02237	9310PC	1820-0866	02237	949DC	1820-1027	01698	SN74195N	1820-1191	01698	SN74S175N
1820-0706	02237	9324PC	1820-0867	02237	74H40DC	1820-1030	02910	N8T24N	1820-1192	01698	SN74173N
1820-0707	01698	SN74141N	1820-0868	02237	1801DC	1820-1031	02037	MC3007P	1820-1193	01698	SN74S197N
1820-0708	02237	93L09PC	1820-0869	02237	935DC	1820-1032	01698	SN74198N	1820-1194	01698	SN74L193N
1820-0709	02237	93L28PC	1820-0870	02237	7408DC	1820-1036	02037	MC1019P	1820-1195	01698	SN74S175N
1820-0710	02237	93L22PC	1820-0875	02237	9600DC	1820-1037	01698	SN7446AN	1820-1196	01698	SN74L174N
1820-0713	01698	SN74163N	1820-0876	01698	SN74L75N	1820-1038	01698	SN7448N	1820-1197	01698	SN74L500N
1820-0714	01876	E144D-0200	1820-0894	02237	7404DC	1820-1042	01698	SN74165N	1820-1198	01698	SN74L503N
1820-0715	01698	SN74H106N	1820-0897	02037	MC1047P	1820-1043	03406	DM5406N	1820-1199	01698	SN74L504N
1820-0716	01698	SN74161N	1820-0898	02237	9305PC	1820-1044	02237	9621DC	1820-1200	01698	SN74L505N
1820-0717	03406	MM5052	1820-0899	01698	SN74160N	1820-1045	02910	N8273N	1820-1201	01698	SN74L508N
1820-0718	03406	DS0025CN	1820-0900	02910	SP370N	1820-1046	01698	SN74156N	1820-1202	01698	SN74L510N
1820-0719	02910	82k2A	1820-0902	01698	SN75450BN	1820-1047	03406	DM74L42AN	1820-1203	01698	SN74L511N
1820-0720	03406	DS8830N	1820-0903	01698	SN74L164N	1820-1048	02910	N8T20N	1820-1204	01698	SN74L520N
1820-0721	03406	DS8820AN	1820-0904	02237	93L24PC	1820-1049	03406	DM8097N	1820-1205	01698	SN

HP P/N	Mfr.	Desc.	HP P/N	Mfr.	Desc.	HP P/N	Mfr.	Desc.	HP P/N	Mfr.	Desc.
1820-1241	02037	MC14512BCP	1820-1372	02237	74S109DC	1820-1502	02037	MC14015BCP	1820-1655	03406	MM74C906N
1820-1242	02037	MC12012L	1820-1373	02237	93S10DC	1820-1503	02037	MC14007UBCP	1820-1656	03406	MM74C907N
1820-1243	01698	SN74LS15N	1820-1374	03285	AD7510DLJN	1820-1504	02037	MC14016BCP	1820-1657	02037	MC14572UBCP
1820-1244	01698	SN74LS153N	1820-1375	02037	MC3103L	1820-1505	02037	MC14049UBCP	1820-1658	02037	MC14541BCP
1820-1245	01698	SN74LS155AN	1820-1376	03406	DM76L75N	1820-1506	02037	MC14024BCP	1820-1659	02037	MC14582BCP
1820-1246	01698	SN74LS09N	1820-1377	02237	93L14DM	1820-1507	02037	MC14012UBCP	1820-1660	01921	CD4067BE
1820-1247	01698	SN74L123N	1820-1378	01698	SN54192N	1820-1508	02037	MC14017BCP	1820-1661	01921	CD4069BE
1820-1249	02910	N82S33N	1820-1379	01698	SN5408N	1820-1509	02037	MC14023UBCP	1820-1662	01921	CD4094BE
1820-1250	01698	SN74136N	1820-1380	01698	SN5496N	1820-1510	01921	CD4053BF	1820-1663	01921	CD4095BE
1820-1251	01698	SN74LS196N	1820-1381	01698	SN5432N	1820-1511	02037	MC14002UBCP	1820-1664	01921	CD4096BE
1820-1252	02883	LD110CJ	1820-1383	02037	MC10138L	1820-1512	02037	MC14028BCP	1820-1665	01921	CD4099BE
1820-1253	01698	SN54S00J	1820-1384	01590	SP8647BDC	1820-1513	01921	CD4051BF	1820-1666	02037	MC14581BCP
1820-1254	03406	DM8095N	1820-1385	02037	MC14502BCP	1820-1514	02037	MC14014BCP	1820-1667	01921	CD4060AE
1820-1255	03406	DM8098N	1820-1386	02037	MC14506BCP	1820-1515	01921	CD4556BE	1820-1668	01698	SN74LS74AJ
1820-1256	01698	SN7422N	1820-1387	02037	MC14519BCP	1820-1516	01921	CD4555BE	1820-1669	01698	SN75452BL
1820-1257	01698	SN74159N	1820-1388	02037	MC14071CP	1820-1518	03406	DM74L00N	1820-1670	03406	DS75492N
1820-1258	01698	SN74178N	1820-1389	02037	MC14583BCP	1820-1519	02037	MC663P	1820-1672	01921	CD4077BE
1820-1259	01698	SN74179N	1820-1390	03406	MM74C160N	1820-1520	02037	MC660P	1820-1673	01698	SN75322N
1820-1260	01698	SN74221N	1820-1391	03406	MM74C160N	1820-1521	02037	MC14050BCP	1820-1674	03406	MM74C30N
1820-1261	01698	SN74283N	1820-1395	03811	F3404	1820-1522	02037	MC3440AP	1820-1675	01921	CD4016AF
1820-1262	01698	SN74290N	1820-1398	03794	AM2505PC	1820-1524	02037	MC8602L	1820-1676	01698	SN74S373N
1820-1263	01698	SN744H15N	1820-1399	02037	MC10176P	1820-1525	02037	MC14008BCL	1820-1677	01698	SN74S374N
1820-1264	01698	SN74293N	1820-1400	02037	MC10104P	1820-1526	02037	MC14028BCL	1820-1681	01698	TMS6011NC
1820-1265	02037	MC14527BCP	1820-1402	03406	MM80C95N	1820-1527	02037	MC14022BCL	1820-1682	05946	SA1102T
1820-1266	03406	MM80C97N	1820-1403	01921	CD4072BE	1820-1528	01921	CD4029BF	1820-1683	02037	MC14514BCP
1820-1267	01698	SN74184N	1820-1404	01921	CD4069UBE	1820-1529	01921	CD4018AF	1820-1684	02237	9LS192CP
1820-1268	01698	SN74L85N	1820-1405	01921	CD4075BE	1820-1530	01921	CD4027AF	1820-1685	02037	MC10195P
1820-1269	01698	SN74L157N	1820-1407	01921	CD4078BE	1820-1531	01921	CD4013AF	1820-1686	02037	MC10103P
1820-1270	01698	SN74L121N	1820-1408	01921	CD4073BE	1820-1532	01921	CD4044AF	1820-1687	02037	MC3443AP
1820-1271	01698	SN74L143J	1820-1409	01921	CD4082BE	1820-1533	01921	CD4043AF	1820-1688	01698	SN74LS247N
1820-1272	01698	SN74LS33N	1820-1410	01921	CD4068BE	1820-1534	01921	CD4001AF	1820-1689	02037	MC3446AP
1820-1273	01698	SN74LS28N	1820-1411	01698	SN74LS75N	1820-1535	01921	CD4025AF	1820-1693	02037	MC14508BCL
1820-1274	01698	SN74LS22N	1820-1412	02037	MC14556BCP	1820-1536	01921	CD4030AF	1820-1699	03794	AM25LS175PC
1820-1275	01698	SN74S260N	1820-1413	02037	MC14511BCP	1820-1537	01921	CD4002AF	1820-1700	03794	AM25LS174PC
1820-1276	01698	SN74LS194AN	1820-1414	01698	SN74LS12N	1820-1538	01921	CD4011AF	1820-1720	03406	DM2504CN
1820-1277	01698	SN74LS192N	1820-1415	01698	SN74LS13N	1820-1539	01921	CD4012AF	1820-1721	02037	MC14549BCP
1820-1278	01698	SN74LS191N	1820-1416	01698	SN74LS14N	1820-1540	01921	CD4042AF	1820-1722	02037	MC14559BCP
1820-1279	01698	SN74LS190N	1820-1417	01698	SN74LS26N	1820-1541	01921	CD4015AF	1820-1724	02883	GJ184BP
1820-1280	01698	SN74LS181N	1820-1418	01698	SN74LS42N	1820-1542	01921	CD4049AF	1820-1725	02883	CD508ACJ
1820-1281	01698	SN74LS139AN	1820-1419	01698	SN74LS85N	1820-1543	01921	CD4050AF	1820-1728	01698	SN74278N
1820-1282	01698	SN74LS109AN	1820-1420	01698	SN74LS92N	1820-1544	01921	CD4076BF	1820-1729	01698	SN74LS259N
1820-1283	01698	SN74LS95BN	1820-1421	01698	SN74LS96N	1820-1545	01921	CD4053BY	1820-1730	01698	SN74LS237N
1820-1284	01698	SN74LS55N	1820-1422	01698	SN74LS122N	1820-1546	02037	MC14052BCL	1820-1731	01698	SN74L73N
1820-1285	01698	SN74LS54N	1820-1423	01698	SN74LS123N	1820-1547	02037	MC14051BCL	1820-1732	03794	AM74LS138N
1820-1286	01698	SN74LS40N	1820-1424	01698	SN74LS124N	1820-1548	01921	CD4066AY	1820-1733	03794	AM74LS175N
1820-1287	01698	SN74LS37N	1820-1425	01698	SN74LS132N	1820-1549	02037	MC14539BCL	1820-1735	03406	MM74C42N
1820-1288	02037	MMH0026CL	1820-1426	01698	SN74LS145N	1820-1550	01921	CD4071BF	1820-1738	03406	DS8884AN
1820-1289	02910	N8T14N	1820-1427	01698	SN74LS156N	1820-1551	01921	CD4081BF	1820-1739	03406	DS8897AN
1820-1290	02237	93S12DC	1820-1428	01698	SN74LS158N	1820-1552	01921	CD4023BF	1820-1740	03406	DS8863N
1820-1291	03406	DM8554N	1820-1429	01698	SN74LS160AN	1820-1553	01921	CD4019AF	1820-1745	02037	MC14001BCP
1820-1292	03406	DM8520N	1820-1430	01698	SN74LS161AN	1820-1554	01921	CD4035AF	1820-1746	02037	MC14049UBCP
1820-1293	03406	DM8130N	1820-1431	01698	SN74LS162AN	1820-1555	01921	CD4556BF	1820-1747	02037	MC14011BCP
1820-1294	03406	DM8123N	1820-1432	01698	SN74LS163AN	1820-1556	01921	CD4555BF	1820-1750	03406	DM54LS123J
1820-1295	03406	DM8121N	1820-1433	01698	SN74LS164AN	1820-1557	03811	P8216	1820-1752	02237	93L10CP
1820-1296	01698	SN74LS295BN	1820-1434	01698	SN74LS668N	1820-1558	02037	MC3441AP	1820-1753	03406	MM74C47N
1820-1297	01698	SN74LS266N	1820-1435	01698	SN74LS669N	1820-1559	03406	MM74C164N	1820-1754	03406	S2350-2
1820-1298	01698	SN74LS251N	1820-1437	01698	SN74LS221N	1820-1560	03406	MM74C165N	1820-1755	03406	MM5371N
1820-1300	01698	SN74LS195AN	1820-1438	01698	SN74LS257BN	1820-1561	03406	MM74C193N	1820-1756	03406	MM5312N
1820-1301	01698	SN74S257N	1820-1439	01698	SN74LS258BN	1820-1562	03406	MM74C175N	1820-1758	03811	D3245
1820-1302	01698	SN74S251N	1820-1440	01698	SN74LS279AN	1820-1563	03406	MM74C14N	1820-1759	03406	DM81LS97N
1820-1303	01698	SN74S195N	1820-1441	01698	SN74LS283N	1820-1568	01698	SN74LS125AN	1820-1777	02910	N82S83N
1820-1304	01698	SN74S194N	1820-1442	01698	SN74LS290N	1820-1569	02037	MC14538BCL	1820-1778	03406	MM74C914N
1820-1305	01698	SN74S182N	1820-1443	01698	SN74LS293N	1820-1570	02037	MC14532BCL	1820-1779	02037	MC14411P
1820-1306	01698	SN74S134N	1820-1444	01698	SN74LS298N	1820-1573	02037	MC14558BCP	1820-1780	02037	11C90DC
1820-1307	01698	SN74LS132N	1820-1445	01698	SN74LS375N	1820-1574	01698	SN74LS73AN	1820-1781	03799	H12-0200-5
1820-1308	02037	MC10116L	1820-1446	01698	SN74LS395AN	1820-1575	03406	MM74C192N	1820-1782	03794	AM26602PC
1820-1309	01698	SN74S258N	1820-1448	01698	SN74S09N	1820-1576	03406	MM74C107N	1820-1784	01698	SN74LS91N
1820-1310	01698	SN75108BN	1820-1449	01698	SN74S32N	1820-1577	01921	CD4093BF	1820-1785	01698	SN74LS261N
1820-1311	01921	CD4053BE	1820-1450	01698	SN74S37N	1820-1578	01921	CD4076BE	1820-1786	02037	MC3459CP
1820-1314	01921	CD4052BE	1820-1451	01698	SN74S38N	1820-1579	03811	M1403A	1820-1787	02237	7427DC
1820-1315	01921	CD4051BE	1820-1452	01698	SN74S162N	1820-1580	01698	SN74247N	1820-1788	02237	F10016DC
1820-1316	01921	CD4048AE	1820-1453	01698	SN74S163N	1820-1585	02910	74L23N	1820-1789	03285	AD7530JN
1820-1317	01921	CD4047AE	1820-1454	01698	SN74S168N	1820-1586	02237	45L2BPC	1820-1791	01698	SN74284N
1820-1318	01921	CD4045AE	1820-1455	01698	SN74S169N	1820-1587	03406	DS8859AN	1820-1792	01698	SN74285N
1820-1319	01698	SN74S151N	1820-1456	01698	SN74S281N	1820-1588	02037	MC14566BCP	1820-1793	01698	SN74116N
1820-1320	02037	MC10216L	1820-1457	01698	SN74S299N	1820-1590	03406	MM74C147J	1820-1794	03406	DM81LS95N
1820-1321	01698	SN74S85N	1820-1458	01698	SN74S381N	1820-1591	02037	MC14518BCL	1820-1795	03406	LF13331N
1820-1322	01698	SN74S02N	1820-1460	01698	SN74265N	1820-1592	02037	MC14069UBCL	1820-1796	03406	DS3611N
1820-1323	01698	SN74S30N	1820-1461	01698	SN74273	1820-1594	01698	SN5495AN	1820-1797	03406	DM80353CJ
1820-1324	01698	SN74S124N	1820-1462	01698	SN74351N	1820-1595	01698	SN54H106N	1820-1798	01698	SN54LS74AJ
1820-1325	01921	CD4066AE	1820-1463	01698	SN74390N	1820-1598	01921	CD4029AE	1820-1799	01698	SN74LS02J
1820-1327	02037	MC14530BCP	1820-1464	01698	SN74393N	1820-1600	01921	CD4093BE	1820-1800	01698	SN75452BJG
1820-1328	02037	MC14526BCP	1820-1465	01698	SN74490N	1820-1601	01921	CD4070BE	1		

HP P/N	Mfr.	Desc.							
1820-1865	03794	AM25LS08PC							
1820-1866	03794	AM25LS07PC							
1820-1867	03794	AM25LS09PC							
1820-1868	01698	SN74LS197N							
1820-1869	01698	SN74LS196N							
1820-1870	03406	DS8839N							
1820-1871	01698	SN74LS283N							
1820-1872	03406	DM81LS96N							
1820-1873	03406	DM81LS98N							
1820-1874	03406	DM8556N							
1820-1875	03406	DS8838N							
1820-1876	03794	AM74LS161N							
1820-1877	03794	AM74LS160N							
1820-1878	01698	SN5423J							
1820-1879	01698	SN54LS00J							
1820-1880	01698	SN54LS27J							
1820-1881	01921	CD4097BF							
1820-1882	02037	MC10113L							
1820-1884	02910	N8T97N							
1820-1885	03406	DM74LS173N							
1820-1887	01698	SN75361AP							
1820-1888	02037	MC12013L							
1820-1889	01698	SN74LS26N							
1820-1890	01698	SN74LS258BN							
1820-1891	01698	SN74LS00N							
1820-1892	01698	SN74LS367AN							
1820-1897	01921	CD4024BF							
1820-1898	01921	CD4021BF							
1820-1899	02037	MC14516BCL							
1820-1900	02037	MC14520BCL							
1820-1903	02237	9368PC							
1820-1905	02910	74LS260N							
1820-1906	03406	MM80C98J							
1820-1907	02037	MC14077BCL							
1820-1908	02037	MC14070BCL							
1820-1909	02037	MC14075BCL							
1820-1910	02037	MC14073BCL							
1820-1911	00575	TR1602B-05							
1820-1912	02037	MC14042BCL							
1820-1914	01698	SN74LS174N							
1820-1915	02037	MC1204L							
1820-1917	01698	SN74LS240N							
1820-1918	01698	SN74LS241N							
1820-1922	01698	SN74LS166AN							
1820-1924	02910	N8T93N							
1820-1925	01921	CD4040AF							
1820-1927	02237	9S41FC							
1820-1930	02037	MC14078BPC							
1820-1931	02037	MC14068BPC							
1820-1932	02037	MC14538BPC							
1820-1933	03406	MM74C74J							
1820-1934	02180	DAC-08EQ							
1820-1935	03406	MM74C905N							
1820-1936	02037	MC14093BCL							
1820-1937	03406	MM74C83J							
1820-1941	03406	LF13201N							
1820-1942	01698	SN74LS163J							
1820-1943	01698	SN74LS169J							
1820-1944	02037	MC10130L							
1820-1945	02037	MC10115L							
1820-1946	02037	MC10117L							
1820-1947	02037	MC14490FP							
1820-1948	01698	TL607CP							
1820-1949	01698	SN74LS154N							
1820-1950	02037	MC10212P							
1820-1955	02037	MC14008BPC							
1820-1956	02037	MC14042BPC							
1820-1957	02037	MC14511BPC							
1820-1958	02037	MC14016BPC							
1820-1959	02037	MC14508BPC							
1820-1960	02037	MC14012BPC							
1820-1961	02037	MC14023BPC							
1820-1962	02037	MC14028BPC							
1820-1963	02037	MC14013BPC							
1820-1964	02037	MC14027BPC							
1820-1965	02037	MC14025BPC							
1820-1967	08323	1AA6-6004							
1820-1968	03794	AM93S48PC							
1820-1970	02037	MC14071BPC							
1820-1971	02883	DG201CJ							
1820-1973	01698	TL604IP							
1820-1974	01698	SN74LS181J							
1820-1975	01698	SN74LS165AN							
1820-1976	02037	MC14050BPC							
1820-1977	02037	MC12061P							
1820-1978	03794	AM25L04PC							
1820-1979	02910	N8T75N							
1820-1980	02910	N8S31N							
1820-1981	03794	AM25S09PC							
1820-1982	01698	SN75363N							
1820-1984	03285	AD561KD							
1820-1985	03406	DM85S68J							
1820-1986	03406	LF13202N							
1820-1987	03794	AM74LS299N							
1820-1988	03406	AH0019CD							
1820-1989	02237	74LS393PC							
1820-1990	02037	MC10100L							
1820-1991	02237	74LS390PC							
1820-1992	03794	AM25LS160AFC							
1820-1993	02037	MC10158L							
1820-1994	01698	SN74LS243N							
1820-1995	03285	AD7550BD							
1820-1997	03794	AM74LS374AP							
1820-2001	03406	MM5307ABN							
1820-2002	02237	9370FC							
1820-2007	01698	SN74365AN							
1820-2008	02037	MC14015BPC							
1820-2009	02237	4049BPC							
1820-2013	02037	MC14051BPC							
1820-2014	02037	MC14069UBCP							
1820-2015	02037	MC14070BPC							
1820-2016	02237	9401FC							
1820-2017	01921	CD4085BF							
1820-2018	01921	CD4086BF							
1820-2019	02037	MC14584BPC							
1820-2020	04200	UDN-5707A							
1820-2021	02037	MC14520BPC							
1820-2023	02037	MC10197P							
1820-2024	01698	SN74LS244N							
1820-2025	03714	ICL7101CPL							
1820-2026	01698	SN74LS396N							
1820-2031	02037	MC14021BPC							
1820-2032	02237	4104PC							
1820-2033	02037	MC14561BPC							
1820-2035	03811	F3205							
1820-2036	02037	MC6875L							
1820-2037	02037	MC14081BPC							
1820-2038	03406	MM74C00J							
1820-2040	03406	MM5315N							
1820-2041	03406	DS3612N							
1820-2042	01698	SN54LS221J							
1820-2043	01698	SN54197J							
1820-2044	01698	SN75461P							
1820-2046	01698	SN74LS353N							
1820-2047	01590	SP8620BDG							
1820-2048	01921	CD40115D							
1820-2049	02237	74LS196PC							
1820-2050	02037	MC14555BPC							
1820-2051	02037	MC14528BCL							
1820-2053	03406	DM74LS154N							
1820-2054	02037	MC14040BCL							
1820-2055	02037	MC14015BCL							
1820-2056	01698	SN74LS378N							
1820-2058	02037	MC3448AL							
1820-2060	00039	UPD369C							
1820-2064	01698	SN54LS174J							
1820-2065	03406	MM74C151N							
1820-2066	02037	MC10178L							
1820-2067	02037	MC10162L							
1820-2068	01698	SN74LS325N							
1820-2071	03811	D4201							
1820-2075	01698	SN74LS245N							
1820-2076	03811	D3242							
1820-2078	01698	SN74LS490N							
1820-2079	02037	MC14002BPC							
1820-2080	02037	MC14035BPC							
1820-2082	01698	SN5442AJ							
1820-2083	03406	CD4029BCN							
1820-2084	02037	MC14018BPC							
1820-2085	03406	CD4019BCN							
1820-2086	02037	MC14006BPC							
1820-2087	03714	IM6402IDL							
1820-2088	02237	9613TC							
1820-2089	02237	9612TC							
1820-2090	02037	MC14082BPC							
1820-2091	02037	MC14075BPC							
1820-2092	01698	TMS3129NC							
1820-2093	02237	F1001ODC							
1820-2094	02237	9316HDC							
1820-2095	02237	9627PC							
1820-2096	01698	SN74LS393N							
1820-2097	02037	MC14543BPC							
1820-2098	03406	DM8099N							
1820-2102	01698	SN74LS373N							
1820-2103	03794	DS0056CN							
1820-2104	01698	SN74LS242N							
1820-2106	02237	F11C06DC							
1820-2107	02237	74LS00PC							

HP P/N	Mfr.	Desc.												
1820-2587	01698	SN74LS86AJ		1820-2803	02037	MC14001BCL	1820-3007	02037	MC74HC86N	1820-3213	01698	SN74LS64TNT		
1820-2588	01921	CD4060BE		1820-2804	02037	MC14025BCL	1820-3008	03406	MM74HC04UN	1820-3215	03677	S1602P		
1820-2590	03793	SG3627		1820-2805	02037	MC14017BCL	1820-3012	02237	74F534PC	1820-3216	02237	74F299PC		
1820-2592	01698	SN74LS320N		1820-2816	03811	D7250	1820-3013	03794	AM25LS2568DC	1820-3217	01698	SN74ALS569AN		
1820-2593	01698	SN7407J		1820-2817	03811	D7242	1820-3014	03406	MM74HC139N	1820-3220	02237	74F139PC		
1820-2594	01698	AM26LS32ACN (SELECTED)		1820-2818	03811	D7230	1820-3015	06354	TC40H245P	1820-3221	02237	74F181PC		
1820-2600	02237	96LS02PC		1820-2819	01698	SN74LS630N	1820-3018	01921	CD4029AE	1820-3222	02237	74F190PC		
1820-2605	03406	MM74C73N		1820-2820	02910	PLS105F UNPRGMD	1820-3019	03794	AM29825DC	1820-3223	02237	74F243PC		
1820-2606	03406	MM74C76N		1820-2821	02037	MC10159P	1820-3020	03794	AM29845DC	1820-3224	02237	74F245PC		
1820-2610	01698	SN74LS686NT		1820-2822	02037	MC10H105P	1820-3022	01698	SN74LS599N	1820-3225	02237	74F251APC		
1820-2611	02237	100101DC		1820-2823	02037	MC10H102P	1820-3058	03406	MM74HC174I	1820-3226	02237	74F253PC		
1820-2613	01698	SN74LS356N		1820-2824	06354	TC40H373P	1820-3060	03714	ICM7217CIPI	1820-3227	02237	74F257PC		
1820-2614	02237	100102DC		1820-2825	06354	TC40H374P	1820-3062	02237	100117DC	1820-3228	02237	74F350PC		
1820-2621	01698	SN74S225N		1820-2826	03794	AM2966PC (SELECTED)	1820-3063	02237	100118DC	1820-3229	02237	74F353PC		
1820-2622	01698	SN74LS624UN		1820-2827	01698	NE555JG	1820-3064	02237	100124DC	1820-3230	02237	74F379PC		
1820-2625	02713	AY-5-2376-006		1820-2830	03794	AM26LS32BPC	1820-3065	02237	100125DC	1820-3231	02237	74F381PC		
1820-2626	01698	AC5947N		1820-2831	01698	SN75174N	1820-3066	02237	100141DC	1820-3232	02237	74F537PC		
1820-2630	03406	MM74C941N		1820-2832	01698	SN74S341N	1820-3067	02237	100155DC	1820-3233	02237	74F539PC		
1820-2634	01698	SN74ALS04BN		1820-2834	02037	MC10101L	1820-3068	02237	100158DC	1820-3234	02237	74F280PC		
1820-2635	01698	SN74ALS08N		1820-2835	02037	MC10102L	1820-3069	02237	100160DC	1820-3235	03714	ICM75561PD		
1820-2641	01698	SN74LS374UN		1820-2836	02037	MC10104L	1820-3070	02237	100170DC	1820-3236	01698	SN74ALS1623N		
1820-2644	03406	CD4050BCN		1820-2837	02037	MC10105L	1820-3071	02237	100171DC	1820-3237	01698	SN74ALS873TNT		
1820-2646	03714	ICM7227AIPI		1820-2838	02037	MC10106L	1820-3072	02237	100180DC	1820-3238	01698	SN74ALS1245A-1N		
1820-2647	03714	ICM7227CIPI		1820-2839	02037	MC10107L	1820-3073	02237	100182DC	1820-3239	01698	SN74ALS1244A-1N		
1820-2648	02237	100165DC		1820-2840	02037	MC10121L	1820-3074	02237	100183DC	1820-3240	01698	SN74ALS876TNT		
1820-2653	03794	AM25LS2569PC		1820-2841	02037	MC10188L	1820-3075	02037	MC10H116L	1820-3241	01698	SN74LS628N		
1820-2654	02237	74F157PC		1820-2842	02037	MC10189L	1820-3076	02037	MC10H131L	1820-3243	04200	UGN-3020T		
1820-2655	01698	SN74LS625N		1820-2843	02037	MC10195L	1820-3077	03794	AM26S12PC SELECTED	1820-3246	01698	TMS2150-4JD		
1820-2656	01698	SN74ALS00AN		1820-2844	02037	MC10197L	1820-3078	03406	DM74LS168AN	1820-3258	01698	SN74ALS137N		
1820-2657	01698	SN74ALS32N		1820-2845	02037	MC10211L	1820-3079	02037	MC74HC138N	1820-3269	08323	1AE7-6200		
1820-2658	01921	CA3161E		1820-2846	02037	MC10109L	1820-3080	02037	MC74HC20N	1820-3270	01698	SN74ALS03BN		
1820-2662	01921	CD40116E		1820-2847	02037	MC10153P	1820-3081	02037	MC74HC74N	1820-3277	01698	SN74ALS1244AN		
1820-2664	02037	MC1678L		1820-2848	02037	MC10H116P	1820-3082	02037	MC74HC374N	1820-3278	02237	74F399PC		
1820-2666	01698	SN74S37J		1820-2849	02037	MC10H131P	1820-3089	02237	74F161APC	1820-3279	02237	74F382PC		
1820-2668	01698	SN75114UN		1820-2850	01698	SN75473P	1820-3092	02237	74F538PC	1820-3280	02237	74F174PC		
1820-2670	04092	PAL16L8A-2CJ UNPRGMD		1820-2860	02037	MC10H130P	1820-3097	03406	MM74HC08N	1820-3281	03794	AM26S10PC		
1820-2671	04092	PAL12H6CJ UNPRGMD		1820-2861	02237	74F138PC	1820-3108	03406	MM74HC27N	1820-3283	03794	AM26LS34PC		
1820-2672	01698	SN74LS623N		1820-2862	03406	DS3667N	1820-3109	01698	SN74ALS138N	1820-3287	01698	SN74ALS1245AN		
1820-2675	01698	SN74LS646NT		1820-2863	03794	AM25LS191PC	1820-3102	02037	MC10H016L	1820-3289	04200	UCN-5800A		
1820-2676	02237	74F64PC		1820-2864	02910	PLS153N UNPRGMD	1820-3104	01698	SN74ALS299N	1820-3290	04092	PAL16R6-2CJ UNPRGMD		
1820-2677	04092	PAL10H8CJ UNPRGMD		1820-2866	09161	MD74SC245AC	1820-3105	01698	SN74ALS1002AN	1820-3291	04092	PAL16R4-2CJ UNPRGMD		
1820-2678	04092	PAL14L4CJ UNPRGMD		1820-2875	02037	MC10H164P	1820-3106	01698	SN74ALS688N	1820-3292	04092	PAL16C1-2CJ UNPRGMD		
1820-2679	04092	PAL16H2CJ UNPRGMD		1820-2876	00575	BR1941M-06	1820-3118	01698	SN74LS294N	1820-3294	01698	SN74ALS374N		
1820-2680	04092	PAL16R6A-2CJ UNPRGMD		1820-2877	02237	100151DC	1820-3120	06354	TC40H032P	1820-3295	02037	MC10H136L		
1820-2681	04092	PAL16R4A-2CJ UNPRGMD		1820-2878	02237	100112DC	1820-3121	01698	SN74ALS245AN	1820-3296	02037	MC10H176L		
1820-2682	04200	UDN-5703A		1820-2879	02037	MC145151P	1820-3122	00575	TR1865P-00	1820-3297	02037	MC74HC24N		
1820-2683	04200	UDN-5706A		1820-2880	02037	MC145152P	1820-3124	02037	MC10124P	1820-3298	03406	MM74HC32N		
1820-2684	02237	74F00PC		1820-2881	01698	SN74ALS27N	1820-3125	02037	MC10125P	1820-3299	02037	MC74HC40N		
1820-2685	02237	74F02PC		1820-2882	01698	SN74ALS576N	1820-3126	02037	MC10136P	1820-3302	01698	SN75153N		
1820-2686	02237	74F08PC		1820-2883	03794	AM74LS533PC	1820-3127	02037	MC10141P	1820-3303	04092	SN74LS498JS		
1820-2687	02237	74F10PC		1820-2885	06347	HD74LS390P	1820-3128	02037	MC10158P	1820-3304	01698	SN75157P		
1820-2688	02237	74F11PC		1820-2887	02237	74F521PC	1820-3129	02037	MC10164P	1820-3305	01698	SN74LS684N		
1820-2689	02237	74F20PC		1820-2888	01698	SN74ALS21N	1820-3130	02037	MC10181P	1820-3306	03794	AM29824DC		
1820-2690	02237	74F32PC		1820-2889	01698	SN74ALS11AN	1820-3133	02237	74F283PC	1820-3307	03794	AM29823DC		
1820-2691	02237	74F74PC		1820-2891	02037	MC10H101P	1820-3134	00575	WD1943M-06	1820-3308	02037	SN74ALS639N		
1820-2692	02237	74F86PC		1820-2892	04200	ULN-2814A	1820-3135	02237	74F169PC	1820-3317	01698	SN74ALS640-1N		
1820-2693	02237	74F109PC		1820-2897	02037	MC145145P	1820-3136	03406	MM74HC154N	1820-3318	01698	SN74ALS273N		
1820-2694	02237	74F112PC		1820-2898	02237	100107DC	1820-3137	08323	1AH7-6202	1820-3318	02237	MCI489AP		
1820-2695	02237	74F158PC		1820-2899	01698	SN74AS885NT	1820-3138	08323	1AH7-6201	1820-3322	02037	MCI488P		
1820-2696	02237	74F175PC		1820-2900	02037	MC10H109P	1820-3139	08323	1AD5-6101	1820-3323	04092	PAL20X8CJ UNPRGMD		
1820-2697	02237	74F194PC		1820-2903	03794	AM2964BDC	1820-3140	08323	1AD5-6201	1820-3324	04092	PAL20R8ACJ UNPRGMD		
1820-2698	02237	74F240PC		1820-2906	03794	AM25LS299PC	1820-3142	03406	DP8409N-2	1820-3325	04092	PAL20L10CJ UNPRGMD		
1820-2699	02237	74F241PC		1820-2907	06354	TC40H138P	1820-3143	01698	SN74ALS874TNT	1820-3329	01698	MC3446N		
1820-2700	02237	74F373PC		1820-2908	06354	TC40H002P	1820-3144	01698	SN74LS590N	1820-3330	04092	MM74HC245N		
1820-2701	02237	74F374PC		1820-2909	06354	TC40H000P	1820-3145	01698	SN74ALS244AN	1820-3333	01698	SN75179AP		
1820-2702	02037	MC14521BCP		1820-2913	02037	SN74ALS245N	1820-3146	02037	MC74HC175N	1820-3335	01698	SN74ALS01N		
1820-2703	01698	SN75174N		1820-2914	01590	SP8691A	1820-3147	09161	MD74HCT373RC	1820-3336	01698	SN74ALS563N		
1820-2710	01698	SN74LS540N		1820-2921	03406	MM74HC04N	1820-3152	01698	SN74376N	1820-3337	02037	MC10H104P		
1820-2711	01698	SN74LS541N		1820-2922	02037	MC74HC00N	1820-3154	03406	DP8408N	1820-3338	02037	MC10H117P		
1820-2712	03714	ICM7218BJJI		1820-2923	02037	MC74HC10N	1820-3160	01698	SN74LS593N	1820-3339	02037	MC10H119P		
1820-2713	01698	SN74LS682N		1820-2924	02037	MC74HC02N	1820-3161	01698	SN74LS606N	1820-3340	02037	MC10H121P		
1820-2715	01698	SN75447P		1820-2925	02037	MC74HC161N	1820-3165	04200	UCN-5801A	1820-3341	02037	MC10H210P		
1820-2716	02037	MC14513BCL		1820-2926	03794	AM25LS2568PC	1820-3167	01698	SN74LS592N	1820-3342	02037	MC10H174L		
1820-2719	04092	SN74LS534N		1820-2928	02237	9639ATC	1820-3168	00575	WD1010BL	1820-3343	01698	SN74ALS1034N		
1820-2720	01698	SN74LS385N		1820-2933	01590	SP8606B	1820-3169	02037	MC74HC42N	1820-3344	02037			

HP P/N	Mfr.	Desc.												
1820-3405	02037	MC145146P												
1820-3410	01590	MJ2841DP												
1820-3411	01698	SN74ALS175FN												
1820-3412	01698	SN74ALS241AFN												
1820-3413	01698	SN74ALS86FN												
1820-3416	01698	SN74ALS520N												
1820-3417	03406	DP8340N												
1820-3418	03406	DP8341N												
1820-3421	04200	UDN-6118A												
1820-3423	01698	SN74LS595N												
1820-3426	03794	AM29863DC												
1820-3431	03406	DS75160AN												
1820-3435	02037	MC10H209L												
1820-3437	01698	SN74ALS1035N												
1820-3438	01698	SN74ALS257N												
1820-3439	01698	SN74ALS253N												
1820-3440	03794	AM29827DC												
1820-3442	01698	SN74AS804AN												
1820-3443	01698	SN74AS808AN												
1820-3445	03406	DS3487N												
1820-3446	02037	MC10H164L												
1820-3447	01698	SN7406FN												
1820-3456	03406	MM74HCT244N												
1820-3458	04092	C67L401N												
1820-3459	03406	DM74LS74N												
1820-3460	01698	SN74LS30N												
1820-3461	02037	MC10H115P												
1820-3463	03406	MM74HCT6N												
1820-3465	01698	SN74ALS174N												
1820-3466	01698	SN74ALS175N												
1820-3467	01698	SN74ALS832N												
1820-3468	01698	SN74ALS12AN												
1820-3469	01698	SN74ALS538N												
1820-3471	01698	TMS2150-5JD												
1820-3472	01698	SN74ALS521N												
1820-3473	01698	SN74LS645-1N												
1820-3475	01698	SN74LS132N												
1820-3479	01698	SN74ALS28AN												
1820-3480	01698	SN74ALS1008AN												
1820-3481	01698	SN74ALS645AN												
1820-3485	02037	MC12090L												
1820-3486	03799	CP82C82												
1820-3487	02037	MC14410P												
1820-3489	01698	SN75407P												
1820-3490	09161	MT8870BC												
1820-3492	04092	PAL16R4ACN UNPRGMD												
1820-3493	01698	SN74AS74N												
1820-3495	01698	SN74LS279AN												
1820-3496	01698	SN74LS51N												
1820-3497	01698	SN74ALS645A-1N												
1820-3498	01698	SN74ALS640A-1N												
1820-3499	03285	ADSP-1012AJD												
1820-3500	09283	SP74HCT138N												
1820-3501	09283	SP74HCT244N												
1820-3502	09283	SP74HCT245N												
1820-3503	09283	SP74HCT373N												
1820-3504	09283	SP74HCT374N												
1820-3505	01698	SN74ALS191N												
1820-3506	01698	SN74ALS38AN												
1820-3512	04200	ULN-2061N												
1820-3513	03406	DS75161AN												
1820-3516	03406	CD4541BCN												
1820-3517	01590	SP8680BDG												
1820-3518	03406	DS75162AN												
1820-3521	02037	MC10H124L												
1820-3522	02037	MC10H125L												
1820-3524	01698	SN75446P												
1820-3528	03794	AM2965PC												
1820-3530	04092	PAL16L6CN UNPRGMD												
1820-3531	02910	PLS153AN UNPRGMD												
1820-3536	01698	SN74LS597N												
1820-3537	01921	CD74HCT74E												
1820-3538	02910	SCN2681AC1N40												
1820-3539	01698	SN75123N												
1820-3540	01698	SN75129N												
1820-3541	01698	SN74AS244N												
1820-3542	01698	SN74AS373N												
1820-3543	01698	SN74AS240N												
1820-3544	01698	SN74AS873NT												
1820-3545	03406	MM80C96N												
1820-3546	02037	MC74HCT299N												
1820-3553	04092	PAL20R6ACJ UNPRGMD												
1820-3554	03794	AMPAL16R6ADC UNPRGMD												
1820-3555	03794	AMPAL16R8ADC UNPRGMD												
1820-3556	03794	AMPAL16L8ADC UNPRGMD												
1820-3557	03794	AMPAL16R4ADC UNPRGMD												
1820-3558	01698	SN74ALS534N												
1820-3559	01698	SN74ALS632AJD												
1820-3560	01698	SN74ALS804N												
1820-3562	01698	SN74ALS1005N												
1820-3563	01698	SN74AS533N												
1820-3564	02037	MC74HCT174J												
1820-3565	02037	MC74HCT374J												
1820-3566	03406	PAL14H4NC UNPRGMD												
1820-3567	03406	PAL16H2NC UNPRGMD												
1820-3568	03406	PAL10L8NC UNPRGMD												
1820-3569	03406	PAL10H8NC UNPRGMD												
1820-3570	03406	PAL12H6NC UNPRGMD												
1820-3571	03406	PAL16L8NC UNPRGMD												
1820-3576	02037	MC10H175P												
1820-3577	02037	MC10H186P												
1820-3578	02037	MC10H162P												
1820-3579	02037	MC10H141P												
1820-3580	02037	MC10H161P												
1820-3581	03406	DS3687N												
1820-3587	02037	MC14194BCP												
1820-3588	03794	AM25LS2548PC												
1820-3590	01698	SN74AS32N												
1820-3591	01698	SN74AS00N												
1820-3593	01698	SN76494N												
1820-3595	06347	HD100150												
1820-3596	03406	PAL16C1NC UNPRGMD												
1820-3597	03406	PAL12L6NC UNPRGMD												
1820-3598	01698	SN74ALS192N												
1820-3599	04092	PAL16R6A-2CN UNPRGMD												
1820-3600	04092	PAL16R4A-2CN UNPRGMD												
1820-3601	04092	PAL20X8CNS UNPRGMD												
1820-3602	04092	PAL16R8A-2CN UNPRGMD												
1820-3606	01698	SN74AS27N												
1820-3607	02037	SN74ALS244N												
1820-3608	01698	SN74AS04N												
1820-3609	03406	CD4048BQC												
1820-3610	03794	AMPAL16H8APC UNPRGMD												
1820-3611	03794	AMPAL16HD8APC UNPRGMD												
1820-3612	03794	AMPAL16LD8APC UNPRGMD												
1820-3613	04092	PAL20R4ACN UNPRGMD												
1820-3614	04092	PAL20R8ACNS UNPRGMD												
1820-3615	04092	PAL20L8ACNS UNPRGMD												
1820-3616	03794	AMPAL22V10APC UNPRGMD												
1820-3617	03794	AMPAL16R8LDC UNPRGMD												
1820-3619	04078	MKS089N												
1820-3620	02037	MC10192L												
1820-3621	01698	SN74LS467N												
1820-3626	03406	MM74HCT241N												
1820-3629	03406	MM74HCT04N												
1820-3630	03406	MM74HCT240N</												

HP P/N	Mfr.	Desc.													
1820-4196	03406	MM74HCT157N	1820-4367	02910	74LS04D	1820-4681	02037	MC10116P	1820-4995	06354	TC74HC592P				
1820-4197	02037	MC10H123P	1820-4368	02910	74LS175D	1820-4685	01590	SP9131DG	1820-4997	06338	L293D				
1820-4198	02037	MC10H160P	1820-4369	02910	74LS74AD	1820-4686	01425	FD9C229BTP	1820-4998	02910	74F32D				
1820-4199	02037	MC10H332P	1820-4371	02910	74LS32D	1820-4687	02910	74F02D	1820-5001	01698	SN74LS624D				
1820-4200	02037	MC10H07LP	1820-4372	02910	74LS10D	1820-4688	11302	ICM7218AIP1	1820-5002	01698	SN74ALS374DW				
1820-4201	02037	MC10H424P	1820-4373	02910	74F10D	1820-4690	03406	DS14C89AN	1820-5012	11345	PALC22V10-35PC UNFRGMD				
1820-4202	02037	MC10H135P	1820-4374	01698	SN74ALS612N	1820-4691	03406	DS14C88N	1820-5013	11345	PALC22V10-25PC UNFRGMD				
1820-4203	02037	MC10H136P	1820-4375	01698	SN74AS286N	1820-4692	01698	SN74HC00D	1820-5014	02237	74F525DC				
1820-4204	02037	MC10H350P	1820-4376	02910	74LS00D	1820-4693	01698	SN74HC08D	1820-5015	01698	SN74ALS747N				
1820-4205	06338	L298	1820-4377	02910	74F00D	1820-4694	01698	SN74ALS653NT	1820-5020	01698	SN74AS808BDW				
1820-4206	02037	MC10H166P	1820-4391	01698	SN74ALS646NT	1820-4705	02037	MC74HC4351N	1820-5021	01698	SN74AS870NT				
1820-4207	01698	SN74AS1036N	1820-4392	03406	MM74HC283N	1820-4706	03406	MM74HC4316N	1820-5023	01698	SN74HC652NT				
1820-4208	01698	SN74HC377N	1820-4393	04092	PAL12L6-2CJ UNFRGMD	1820-4708	01698	SN74AS756N	1820-5024	03406	MM58274V				
1820-4209	02037	MC10177P	1820-4401	03794	AM7992BDC	1820-4715	01698	SN74AS825NT	1820-5025	01698	SN74ALS648NT				
1820-4211	01698	SN74AS639N	1820-4402	01698	SN74AS1805N	1820-4716	01698	SN74ALS843NT	1820-5026	01698	SN7406D				
1820-4212	02910	74HCT245N	1820-4433	03406	PAL1016P8PC UNFRGMD	1820-4719	01698	SN74HC805N	1820-5027	01698	TIBPAL16L8-25CFN UNFRGMD				
1820-4215	02910	74HCL138D	1820-4435	03794	AMPAL16R4LPC UNFRGMD	1820-4720	01698	SN74ALS564AN	1820-5028	01698	TIBPAL16R8-25CFN UNFRGMD				
1820-4216	02910	74HC240D	1820-4436	03794	AMPAL16R8LPC UNFRGMD	1820-4721	02910	74HCT32N	1820-5029	02910	PLS168AN UNFRGMD				
1820-4217	02910	HEF4076BT	1820-4437	02037	MC74HC4543N	1820-4734	01698	SN75173N	1820-5035	01698	SN74ALS35AN				
1820-4218	02910	74HC85D	1820-4438	02037	MC10192P	1820-4735	01698	SN75172N	1820-5038	01698	SN74ALS1004AD				
1820-4219	02910	74HC27D	1820-4439	02910	74F37N	1820-4737	01698	SN74HCT240DW	1820-5040	02910	74F74D				
1820-4220	02910	74HC32D	1820-4443	06354	TC74HC4094P	1820-4738	02237	74ACT374PC	1820-5041	02910	74F109D				
1820-4228	06347	HD100131	1820-4444	01698	SN74AS299N	1820-4739	02910	74F579N	1820-5042	02910	74F157AD				
1820-4229	02910	HEF4724BP	1820-4445	01698	SN74AS869NT	1820-4740	02037	MC10H423P	1820-5043	02910	74F175D				
1820-4232	02037	MC74HC4078N	1820-4446	03406	LH0063CK	1820-4747	12125	KS74HCT640N	1820-5045	02910	74F64D				
1820-4233	01698	SN74ALS244A-1N	1820-4448	01590	SP16F60DG	1820-4748	12125	KS74HCT240N	1820-5050	02910	74F273D				
1820-4235	02910	74F273N	1820-4449	02910	74S273N	1820-4749	12125	KS74HCT244N	1820-5051	02910	74F269D				
1820-4242	02910	74HCT14N	1820-4450	01698	SN74AS821NT	1820-4750	04092	PAL16R4BCN UNFRGMD	1820-5052	02910	74F151D				
1820-4243	01698	SN74ALS08D	1820-4454	11320	229CG	1820-4751	04092	PAL20R8BCNS UNFRGMD	1820-5053	02910	74F125D				
1820-4244	01698	SN74ALS11AD	1820-4458	02037	MC74HCL126N	1820-4752	12125	KS74HCT259N	1820-5054	03406	MM74HCL123AM				
1820-4245	01698	SN74ALS02D	1820-4459	01698	SN74AS1804N	1820-4753	12125	KS74HCT273N	1820-5055	02910	74HCT151N				
1820-4246	01698	SN74ALS27D	1820-4461	01698	SN75176AP	1820-4754	12125	KS74HCT138N	1820-5056	02910	74HCT161N				
1820-4247	01698	SN74ALS32D	1820-4465	02910	74HCT377N	1820-4755	03406	PAL16L8BNC UNFRGMD	1820-5057	02910	74HCT10N				
1820-4248	01698	SN74ALS86D	1820-4489	01698	SN74LS603AN	1820-4756	03406	PAL16R8BNC UNFRGMD	1820-5058	02237	74AC04PC				
1820-4249	01698	SN74ALS04BD	1820-4492	02910	74F27N	1820-4757	03406	PAL16R4BNC UNFRGMD	1820-5059	01698	MC3446N				
1820-4250	01698	SN74ALS05AD	1820-4493	04092	PAL16R6BCJ UNFRGMD	1820-4758	03406	PAL16R6BNC UNFRGMD	1820-5060	11302	CM74182BIP1				
1820-4251	01698	SN74ALS14D	1820-4494	04092	PAL16R8BCJ UNFRGMD	1820-4760	10253	IDT74HCT245P	1820-5064	01698	SN74ALS881AD				
1820-4252	01698	SN74ALS10AD	1820-4496	01698	SN74AS1808N	1820-4761	07371	LB1246E	1820-5065	04092	PAL16L8A-4CN UNFRGMD				
1820-4253	03406	DS14C89AN	1820-4497	01698	SN74ALS678NT	1820-4770	03794	AM29843PC	1820-5066	01698	TMS2150-4NT				
1820-4255	01698	SN74LS85D	1820-4498	01698	SN74AS845NT	1820-4776	01698	SN74AS243D	1820-5067	02237	74AC74PC				
1820-4256	01698	SN74ALS123D	1820-4500	04092	67401N	1820-4777	02910	74F125N	1820-5068	02237	74AC373PC				
1820-4257	01698	SN74ALS138D	1820-4501	04092	PAL16L2CN UNFRGMD	1820-4778	02910	74F51N	1820-5069	03406	MM74HC4051N				
1820-4258	01698	SN74ALS139D	1820-4503	03714	ICM7218EJLL	1820-4779	02910	74F126N	1820-5070	01698	SN74AS1000AD				
1820-4259	01698	SN74ALS251D	1820-4520	00039	UPD7210	1820-4780	02910	74HCT175N	1820-5073	02910	74HCT132N				
1820-4260	01698	SN74ALS253D	1820-4522	03799	HPL1-16RC6-9 UNFRGMD	1820-4781	12125	KS74HCT00N	1820-5074	02937	MC10H330P				
1820-4261	01698	SN74ALS257D	1820-4523	03799	HPL1-16L8C-9 UNFRGMD	1820-4782	01698	SN74LS125AD	1820-5075	01698	SN74ALS20AD				
1820-4262	01698	SN74ALS283D	1820-4524	03799	HPL1-16RC4-9 UNFRGMD	1820-4787	01698	SN74ALS240ADW	1820-5076	01698	SN74ALS153D				
1820-4263	01698	SN74ALS259D	1820-4527	03406	DS3695N	1820-4788	01698	SN74ALS244ADW	1820-5077	01698	SN74HCT574DW				
1820-4264	01698	SN74ALS573BD	1820-4534	01698	SN74HC7001N	1820-4789	01698	SN74LS393D	1820-5079	04092	PAL20R8ACN UNFRGMD				
1820-4265	01698	SN74ALS164D	1820-4535	01698	SN74ALS841NT	1820-4790	01698	SN74ALS245ADW	1820-5080	02237	74F403DC				
1820-4266	01698	SN74ALS165D	1820-4537	02237	74F676SDC	1820-4791	03550	KR-T5675CP	1820-5098	12125	KS74HCT14N				
1820-4267	01698	SN74LS194AD	1820-4551	02910	74F30N	1820-4792	01542	HCTL-2000	1820-5099	12125	KS74HCT32N				
1820-4268	01698	SN74ALS168BD	1820-4553	01698	SN74LS598N	1820-4840	01698	SN75115N	1820-5100	12125	KS74HCT257N				
1820-4269	01698	SN74ALS169BD	1820-4554	01698	THCT2000	1820-4843	04200	UDN-2585A	1820-5101	12125	KS74HCT258N				
1820-4270	01698	SN74ALS190D	1820-4562	11111	8023A	1820-4844	03406	MM5484N	1820-5102	01698	SN75ALS194N				
1820-4271	01698	SN74ALS191D	1820-4565	01698	SN74AS876N	1820-4847	02910	74F365N	1820-5111	02910	74HCT21N				
1820-4272	01698	SN74ALS240AFN	1820-4566	04092	PAL20L10ACJ5 UNFRGMD	1820-4857	04092	PAL16L8B-2CJ UNFRGMD	1820-5112	01698	SN74LS18D				
1820-4273	01698	SN74ALS244AFN	1820-4567	02910	74HCT259N	1820-4859	02910	SCC2691ACIN24	1820-5110	02910	SN74138D				
1820-4274	01698	SN74ALS245AFN	1820-4568	04200	UCN-5801A	1820-4860	02910	74F240D	1820-5131	01698	SN74S283D				
1820-4275	01698	SN74ALS74AD	1820-4569	02037	MC74HC540N	1820-4861	02910	74F38D	1820-5132	01698	SN74ALS564ADW				
1820-4276	01698	SN74ALS1123AD	1820-4574	02037	MC74HC4052N	1820-4862	01921	CD74HCT154E	1820-5133	01698	SN74AS573D				
1820-4277	01698	SN74ALS272AD	1820-4575	01698	SN74LS253N	1820-4863	02910	74HCT03N	1820-5134	01698	SN74AS245DW				
1820-4278	01698	SN74LS377D	1820-4577	02910	74HCT125N	1820-4864	10253	IDT7210-100C	1820-5136	02910	74F260N				
1820-4279	01698	SN74ALS574ADW	1820-4578	01698	SN74ALS465AN	1820-4865	01921	CD74HCT164E	1820-5145	01698	SN74ALS1144N				
1820-4280	01698	SN74AS00D	1820-4579	01698	SN74AS843NT	1820-4876	01921	CD4044BF	1820-5147	12125	KS74HCT02N				
1820-4281	01698	SN74AS08D	1820-4582	04092	PAL16R44-3CN UNFRGMD	1820-4877	03406	DP8451V-4	1820-5148	01698	SN74ALS845NT				
1820-4282	01698	SN74AS02D	1820-4583	02910	74HCT08N	1820-4878	01698	SN74ALS533N	1820-5149	02237	74F573PC				
1820-4283	01698	SN74AS32D	1820-4584	02910	74HCT251N	1820-4879	01698	PAL16L8A-2CN UNFRGMD	1820-5150	11668	R807OP-22				
1820-4284	01698	SN74AS138D	1820-4585	02910	74HCT2538N	1820-4886	03406	NSC858N-4I	1820-5155	03285	ADSP1401KN				
1820-4285	01698	SN74AS257D	1820-4586	02037	MC74HCT541N	1820-4887	10858	LT1039CN	1820-5156	03285	ADSP3221KG				
1820-4286	01698	SN74AS194D	1820-4587	02037	MC74HCT604N	1820-4889	03406	DP8392AN	1820-5157	03285	ADSP3210KG				
1820-4287	01698	SN74AS168D	1820-4588	01698	SN74HCT646NT	1820-4890	03406	DS8921N	1820-5158	04092	PAL16R4B-2CNS UNFRGMD				
1820-4288	01698	SN74AS169D	1820-4589	02910	74HCT86N	1820-4892	02037	MC3448AD	1820-5161	03794	AM7911PC				
1820-4289	01698	SN74AS74D	1820-4590	03406	MM74HC423AN	1820-4895	03406	MM74HC373WM	1820-5162	04092	PAL16R6ACN UNFRGMD				
1820-4290	01698	SN74AS112D	1820-4591	01698	SN74AS1034N	1820-4896	03406	DP8392N	1820-5163	03406	PAL16R8CN UNFRGMD				
1820-4291	01698	SN74ALS00AD	1820-4592	01698	SN74ALS353N	1820-4900	02237	74F524PC	1820-5169	01698	SN74ALS867NT				
1820-4310	02237	74F193PC	1820-4593	01698	SN74ALS652NT	1820-4928	01698	SN74ALS109AD	1820-5177	02910	74HCT597N				
1820-4311	10858	LT1032CN	1820-4594	01698	SN74AS866N	1820-4929	01698	SN74ALS163D	1820-5179	01698	SN74ALS234AD				
1820-4313	01698	SN74ALS164N	1820-4597	02237	74F543SPC	1820-4930	01698	SN74ALS174D	1820-5180	01698	SN74ALS033BD				
1820-4314	01698	SN74ALS365N	1820-4599	04200	UDN-2543B	1820-4931	01698	SN74ALS38AD	1820-5181	02910	74HCT08				

HP P/N	Mfr.	Desc.							
1826-0477	01698	TL610CP							
1826-0478	03406	LM7906T							
1826-0479	01698	LM293P							
1826-0480	03406	LF13333N							
1826-0481	03406	LMH0033CG							
1826-0482	03799	HA2-2525-5							
1826-0483	02237	UA79MGUIC							
1826-0484	02237	UA78MGUIC							
1826-0485	03285	AD7530LN							
1826-0486	02037	MC14052BCP							
1826-0487	03799	HA2-2625-5 (SELECTED)							
1826-0488	03406	LM218H							
1826-0489	03714	IH5028CPE							
1826-0490	03714	IH5032CPE							
1826-0491	03406	LF355N							
1826-0492	03406	DS3630N							
1826-0493	03406	LM308AN							
1826-0495	02037	MC79L12ACG							
1826-0496	02037	MC79L05ACG							
1826-0497	03406	LF311H							
1826-0498	01698	SN76549N							
1826-0499	03406	LH0091CD							
1826-0500	03285	AD536AKD							
1826-0501	02037	MC14053BCP							
1826-0502	02037	MC14066BCP							
1826-0503	03406	LF398H							
1826-0504	03285	AD7530LD							
1826-0505	02037	MC1741NCP1							
1826-0506	01921	CA3140E							
1826-0507	02037	SZA266							
1826-0508	03285	AD561JD							
1826-0509	02037	MC1658P							
1826-0510	03406	LF13332N							
1826-0511	02237	UA79M15AHC							
1826-0512	02237	UA78M15HC							
1826-0515	03406	LM310H SELECTED							
1826-0516	02180	OP-17FJ							
1826-0517	03406	ADC0800PCD							
1826-0519	01698	TL071CP							
1826-0520	01698	TL071BCP							
1826-0521	01698	TL072CP							
1826-0522	01698	TL074CN							
1826-0523	03406	LM337K							
1826-0524	03406	LM324AN							
1826-0526	02037	MC3420P							
1826-0527	03406	LM337T							
1826-0528	03406	LF356BH							
1826-0529	02037	MC3410CP							
1826-0531	02237	UA759T2C							
1826-0532	03799	HA1-4605-5							
1826-0533	03406	LM326H							
1826-0534	01921	CA3080E							
1826-0536	03406	LM340AK-5							
1826-0537	03406	LM220K-5-2							
1826-0538	01698	TL084BCN							
1826-0539	03406	LM317H							
1826-0540	03714	ICL8211CTY							
1826-0541	03285	AD7520JN (SEL)							
1826-0542	02180	OP-14CJ							
1826-0543	02237	UA714HC							
1826-0544	03793	SG3503Y							
1826-0545	01698	TL082ACP							
1826-0546	02910	NE592H							
1826-0547	01698	TL072ACP							
1826-0548	03406	LM161J							
1826-0549	01921	CA3140H							
1826-0550	03794	DAC-08EN							
1826-0551	03406	LM340AT-5							
1826-0552	03406	LF13741H							
1826-0553	02180	OP-08GJ (SELECTED)							
1826-0554	03406	LM340LAZ-12							
1826-0555	03406	LM340LAZ-5							
1826-0556	02037	MC1458NG							
1826-0557	03406	LM348J							
1826-0558	03406	LM337H							
1826-0559	03406	LM340K-24							
1826-0561	02180	OP-02CJ (SEL'D)							
1826-0565	01698	TL404CN							
1826-0567	02037	MLMC101A							
1826-0568	03406	LM320H-6							
1826-0569	02910	NE5534AT							
1826-0572	01698	TL0844CN							
1826-0573	03714	ICL8069DCQ							
1826-0574	02237	UA714LHC							
1826-0575	02763	9A00CJ							
1826-0576	02180	OP-16E							
1826-0577	02180	DAC-100CCQ4							
1826-0578	03794	AM685HL							
1826-0579	03794	AM686DC							
1826-0580	03406	AF134-1CJ							
1826-0581	03406	LF13508D							
1826-0582	03406	LF13201D							
1826-0583	02237	UA79MGHC							
1826-0584	02237	UA78MGHC							
1826-0585	03406	LM329ZD							
1826-0586	02237	UA78L62AWC							
1826-0587	02883	LD121CJ							
1826-0588	02883	LD120CJ							
1826-0590	03406	LF13509D							
1826-0591	06545	LAS-19U							
1826-0592	03406	LM358AH							
1826-0593	02763	87500CJ							
1826-0594	03406	LH0044CH							
1826-0595	03285	AD522A (SEL)							
1826-0597	03285	AD571JD (SEL)							
1826-0598	02037	MC12002P							
1826-0599	02037	MC14568BCP							
1826-0600	01698	TL074ACN							
1826-0601	02180	OP-16FJ							
1826-0602	03285	AD7506KD							
1826-0603	02237	UA78S40PC							
1826-0605	02883	DG508ABK							
1826-0606	02883	DG201ABK							
1826-0607	03406	LM340AT-15							
1826-0609	02180	MUX-08FQ							
1826-0610	02180	MUX-24FQ							
1826-0611	03406	LM2904Q							
1826-0616	02180	OP-11EY							
1826-0617	02237	UA7815UC (SELECTED)							
1826-0619	03406	LF298H SELECTED							
1826-0620	01698	UA7924CKC							
1826-0621	02763	8702CN							
1826-0622	02180	REF-02HJ							
1826-0623	03406	LM134Z							
1826-0624	05436	VFC32KP							
1826-0625	02910	NE5553N							
1826-0626	01921	CA3130AS							
1826-0627	03285	AD542L							
1826-0628	02180	OP-11FY							
1826-0629	02910	UA79M12CU							
1826-0631	03406	LM350K							
1826-0632	03406	LM343D							
1826-0633	02910	NE5532AT							
1826-0634	03406	LM343H							
1826-0635	02180	OP-07CP							
1826-0636	03285	AD7525KN							
1826-0637	03793	SG3524 SELECTED							
1826-0638	03406	LM360N							
1826-0639	03285	AD7524JN							
1826-0640	01698	TL061CP							
1826-0641	02180	OP-07EY							
1826-0642	02037	MC1405L							
1826-0643	01698	TL431CLP							
1826-0644	03799	HA2-2515-5							
1826-0647	03285	AD7521LN (SEL)							
1826-0648	03406	LM342P-12							
1826-0649	02237	UA79M12AUC							
1826-0650	03285	AD584KH							
1826-0651	01698	TL500ACN							
1826-0653	01921	CA3240AE							
1826-0655	03406	LM3914N							
1826-0656	02237	7H805A							
1826-0657	03285	AD584LH							
1826-0658	01921	CD22100E							
1826-0659	03794	AM6081PC SELECTED							
1826-0661	03285	AD590KH							
1826-0662	03799	HA2-2605-5 (SELECTED)							
1826-0665	03406	LF347BN							
1826-0666	03406	LM339AN							
1826-0667	03406	LF351N							
1826-0668	03406	LF356AH							
1826-0669	02883	DG182BP							
1826-0670	03799	HA2-2625-5 (SELECTED)							
1826-0671	03285	AD7516KN (SEL)							
1826-0672	03285	AD518KH							
1826-0673	03406	LM117K							
1826-0674	03406	DAC1200HCD							
1826-0675	01698	TL182CN							
1826-0676	01590	SL441A							
1826-0677	03406	LM338K							
1826-0678	03406	LM358H							
1826-0679	01921	CA3140AT							
1826-0680	03793	SG3423M SELECTED							
1826-0682	03406	LM386N-1							
1826-0683	01698	TL062CP							
1826-0684	03285	AD7541BD (SEL)							
1826-0685	03406	LF351H							
1826-0686	03406	LF351AH							
1826-0687	03406	LM317HVK							
1826-0688	02037	MC7902CT							

HP P/N	Mfr.	Desc.	HP P/N	Mfr.	Desc.	HP P/N	Mfr.	Desc.	HP P/N	Mfr.	Desc.
1826-1035	02180	DAC-08CP	1826-1161	02883	DG200A8K	1826-1285	02037	MC1403AU(SEL)	1826-1421	06121	TDA4601D
1826-1036	02180	DAC-312FR	1826-1162	03406	LP311N	1826-1286	01698	TL2C72ACP	1826-1422	02037	MC34084P
1826-1037	02180	REF-02CP	1826-1165	02180	OP-14EZ	1826-1287	03285	AD632AH	1826-1424	03285	AD667JN
1826-1038	03793	SG3731J	1826-1166	03406	LM350T	1826-1288	03406	LM285H-2.5	1826-1425	03285	AD7224LZ
1826-1039	00046	UC494AJ	1826-1167	10858	LT1004CZ	1826-1289	03406	LP339N	1826-1426	02180	OP-215EZ
1826-1040	03793	SG3526J	1826-1168	03714	IH-5042CTW	1826-1290	01698	TL074ACJ	1826-1429	10858	LT1031DCN
1826-1042	01698	TL072BCP	1826-1169	03285	AD7541ABQ	1826-1291	03799	H13-0201-5	1826-1431	10858	LT1021CCN8-5
1826-1043	03285	AD581KH	1826-1170	03285	AD7545BQ	1826-1292	03406	LM311N	1826-1432	03406	LF398AH
1826-1044	03285	AD566AJD	1826-1171	02037	MC1436U	1826-1293	02037	MC79103ACP	1826-1433	10858	LT1007CH
1826-1045	03799	HA7-2515-5	1826-1172	02037	MC3458U	1826-1294	04507	TDC1018DAC	1826-1434	05436	3627AM
1826-1046	03406	LM334H	1826-1173	02180	MUX-24FP	1826-1295	08507	M0H3326	1826-1435	10858	LT1009CZ
1826-1047	02180	OP-16GZ	1826-1174	02180	DAC-888FX	1826-1296	03285	AD574AJD	1826-1436	10858	LT1013ACJ8
1826-1048	02180	OP-07CZ	1826-1175	02037	MC1733G	1826-1297	03406	LM336BZ-5.0	1826-1437	10858	LT1021CCN8-10
1826-1049	02180	OP-27GZ	1826-1177	02180	MUX-16-FT	1826-1298	02180	OP-14CZ	1826-1438	03799	H11-0518-5
1826-1050	00046	UC3524A-N	1826-1178	03799	HA1-5320-5	1826-1299	03406	LM78M05CP	1826-1439	01698	TL2C55CP
1826-1051	02910	NE5561N	1826-1179	02037	LM311H	1826-1302	03406	LP444CAN	1826-1440	03406	LF398AH
1826-1052	03406	LF156H	1826-1180	03406	LF355H	1826-1303	03285	AD7525CD	1826-1441	02180	REF-01HZ
1826-1053	03714	ICL7109IDL	1826-1181	03406	LM340AK-15	1826-1304	02180	DAC-20CQ	1826-1442	03285	AD7534AD
1826-1054	02910	NE564N	1826-1182	03285	ADOP-07CH	1826-1305	03406	DAC0808LCN	1826-1443	03285	AD7549BD
1826-1055	02910	NE5018N	1826-1184	03285	AD578KZD	1826-1307	07050	MP7507JN	1826-1445	03794	AM6685HL
1826-1058	02180	OP-02CJ	1826-1185	02180	OP-15EJ	1826-1308	00046	UC2834J	1826-1448	03793	SG3526N
1826-1059	02037	MC1505L	1826-1186	02180	SW-06GQ	1826-1309	03799	HA3-2625-5 SELECTED	1826-1449	03406	LH0041CJ
1826-1060	03677	S3522P	1826-1187	03285	AD581JH	1826-1312	03285	AD624BD	1826-1450	05436	DAC800-CBI-I
1826-1061	02180	OP-14CP	1826-1188	03285	AD5901H	1826-1314	03285	AD637J	1826-1451	03285	AD7503KN
1826-1062	01698	TL783CK	1826-1189	02180	PKD-01EP	1826-1315	03406	LM390N	1826-1452	03285	AD7543JN
1826-1063	03799	H11-0509A-5	1826-1190	03285	AD7240BQ	1826-1316	10858	LT1007CN8	1826-1455	11302	ICL7109CPL
1826-1064	03799	H13-0508A-5	1826-1191	03285	AD524AD	1826-1317	10858	LT1037CN8	1826-1456	00755	WD2010A-PL05
1826-1065	03406	LM336Z-5.0	1826-1192	02180	OP-215FZ	1826-1319	02910	NE5533AN	1826-1458	02910	DAC-08ED
1826-1066	06121	TDA4700A	1826-1193	02180	DAC-88EX	1826-1320	02180	REF-02EZ	1826-1459	02180	OP-50FY
1826-1067	03406	LH0002CN	1826-1194	02037	MC14046BAL	1826-1321	03291	MSA-0370-21	1826-1460	10881	LM201ADP
1826-1068	03406	DAC0832LCN	1826-1195	03285	AD524CD	1826-1322	03291	MSA-0420	1826-1461	10881	TL071ACDP
1826-1069	02037	MC140406	1826-1196	03285	AD644JH	1826-1323	03291	MSA-0435	1826-1462	10858	LT1012CH
1826-1070	03794	AM6108	1826-1197	02180	OP-15EZ	1826-1324	03291	I70-2013	1826-1464	03406	LM285BZ-2.5
1826-1071	03406	LF411CH	1826-1198	03285	AD75811N	1826-1326	01921	CA3189E	1826-1468	03406	AM5020C
1826-1072	02910	LM324D	1826-1199	06338	L297P	1826-1327	00046	UC3834N	1826-1470	02037	TDA3303
1826-1073	02037	MC3359P	1826-1201	03406	LM2930T-5.0	1826-1328	01698	NE5532P	1826-1471	02037	MC1377P
1826-1074	03406	LF441CN	1826-1202	03285	AD7533(SEL)	1826-1330	01698	TL2C7M4CN	1826-1472	04507	TDC1048B6
1826-1075	03406	LF442CN	1826-1203	03406	LM340LAZ-5	1826-1331	03406	DAC0800LCJ	1826-1473	03406	LM35CAH
1826-1076	03406	LF444CN	1826-1204	03285	AD7528JN	1826-1332	03406	ADC0820BCN	1826-1474	01698	TL4311LP
1826-1077	03406	LF412ACH	1826-1205	02883	DG390C	1826-1333	02037	NE592H	1826-1475	10858	LT1011CN8
1826-1078	02910	NE5037	1826-1206	03406	DAC1006LCJ	1826-1334	03794	AM6012PC	1826-1476	05436	REF10JM
1826-1079	02910	PIC602	1826-1207	02910	HEF4066BT	1826-1336	08608	SSI117-4 CERPACK	1826-1477	03406	ADC0809CCN
1826-1080	02598	PIC647	1826-1208	02037	MC34060P	1826-1337	03714	ICM7207/AIPD	1826-1478	02180	OP-15GZ
1826-1081	03406	LF411ACN	1826-1209	02883	DG180-BA	1826-1338	01698	TL7705A	1826-1479	10858	LT1001ACH
1826-1082	03793	SG7812AC-K	1826-1210	01698	TL185CN	1826-1340	00046	UC3840N	1826-1482	03799	H13-0509-5
1826-1083	03793	SG7912AC-K	1826-1211	03794	AM6148DC	1826-1341	03406	DAC1232LCD	1826-1483	03285	AD753KD
1826-1084	02180	OP-37EJ	1826-1212	02037	MC1776CD	1826-1342	03406	DAC1006LCN	1826-1484	02883	DG133BP
1826-1085	03406	LF357BN	1826-1213	01698	TL2C71ACD	1826-1343	01698	TL431CP	1826-1485	02037	MC3425P1
1826-1086	02180	SW-06GP	1826-1214	01698	TL2C5L2ACD	1826-1346	03799	H13-201HS-5	1826-1486	03285	AD7224CQ
1826-1087	04200	ULN-3701ZV	1826-1215	01698	TL2C7L2ACD	1826-1349	02180	OP-02CZ	1826-1487	02883	DG271CJ
1826-1088	03285	AD5097H	1826-1216	10858	LT350AT	1826-1350	03714	ICL7660CBA	1826-1488	03406	DAC1230LCJ (SELECTED)
1826-1089	03755	DAC9331-16-4	1826-1217	02180	PKD-01EY	1826-1351	06121	TDA4714A	1826-1489	03285	AD711KN
1826-1090	03406	LM2931CT	1826-1218	02037	MC7824CT	1826-1352	03793	SG3524BN	1826-1490	04200	UDN-2952W-2
1826-1092	02237	UA7885C(SELECTED)	1826-1219	03285	AD567KD	1826-1353	05436	DAC701KH	1826-1491	03406	LM201AJ
1826-1093	02180	OP-42H1Y	1826-1220	03799	HA7-2525-5	1826-1354	03406	LH0075CG	1826-1492	02180	OP-16EZ
1826-1094	03285	HDS1015EM	1826-1221	03406	LM311J-8	1826-1355	02290	RC4193NB	1826-1493	02180	REF-01EZ
1826-1095	02910	MC1496N	1826-1222	02037	MC34074AL	1826-1358	00046	UC3906N	1826-1496	11825	Z50647A
1826-1097	02180	OP-17FZ	1826-1223	03406	LM10BLH	1826-1359	03285	AD573JD	1826-1497	05436	DAC800-CBI-I-7
1826-1098	02180	OP-37GP	1826-1225	03406	LP339N	1826-1361	02883	DG212CJ	1826-1498	06545	LS-3V-50
1826-1099	03406	LM337LZ	1826-1226	03794	AM6112DC (SELECTED)	1826-1362	03285	AD592AN	1826-1499	02037	MC78L2CP
1826-1100	03285	AD570JD	1826-1227	03406	LM301AJ	1826-1363	03794	AM7910DC	1826-1500	02673	TSC911ACPA
1826-1101	03406	DAC1219LCJ	1826-1229	01698	LM393JG	1826-1364	01698	TL070CP	1826-1501	01698	TL594IN
1826-1102	03799	H11-200-4	1826-1230	02180	OP-05CZ	1826-1365	03406	LM35CZ	1826-1502	02910	NE5150-F
1826-1104	01698	TL780-05C	1826-1231	03285	AD7528KN	1826-1366	03799	H11-0539-5	1826-1503	03799	H11-507A-2
1826-1105	02910	NE5020N	1826-1232	03285	AD7528JN	1826-1367	02180	OP-16FZ	1826-1504	02037	MC146818ACP
1826-1106	01698	TL780-15C	1826-1233	01590	SP9687DG16	1826-1368	10858	LT1002CN	1826-1505	04200	ULQ-2065B
1826-1107	03285	AD7528BQ	1826-1234	03285	AD7226BQ	1826-1369	10858	LT1021DCN8-10	1826-1506	03406	LM2901N
1826-1109	03714	ICL8038BCJD (SELECTED)	1826-1235	03406	LM385BZ-2.5	1826-1370	03406	LP365N	1826-1507	04200	ULN-8126A
1826-1110	05436	DAC702KH	1826-1236	03794	AM6012APC	1826-1371	06394	ZM1066E	1826-1508	03714	ICL8211IPA (SELECTED)
1826-1111	03285	AD7118BD	1826-1237	06916	CX20052A	1826-1372	03406	MP74HC046N	1826-1509	03406	LM285BZ-1.2
1826-1112	04507	TDC1001J	1826-1238	05436	DAC63C	1826-1373	03714	ICL7650CPD	1826-1510	03714	ICL7109IPL
1826-1113	03406	LM311H	1826-1239	03406	LM299AH	1826-1374	10858	LT1037CH	1826-1511	10858	OP-27EN8
1826-1114	03755	HS3120-C2	1826-1240	03285	AD567JD	1826-1375	03406	ADC083BCJ	1826-1512	01698	TCM3105JE
1826-1115	01698	TL431CLP	1826-1241	03714	IH6108CPE	1826-1376	03714	ICL76501JA-1	1826-1513	02037	MC34002B
1826-1116	02290	RC4156DB	1826-1242	03755	DAC9331-16-5	1826-1377	03780	RGB DAC4TD	1826-1514	10858	LT1021BCN8-10
1826-1118	03285	AD7524LN	1826-1243	03793	SG3527AJ	1826-1378	03794	AM6687DL	1826-1515	02883	SI7135CJ
1826-1121	03406	LM340-12AT	1826-1244	02180	SMP-11EY	1826-1379	03285	AD7226KN	1826-1516	03406	LF1300TN
1826-1122	02180	CMP-01CP	1826-1245	01698	TL7702A	1826-1381	10858	LT1012CN8	1826-1517	05436	SML1051-5
1826-1123	02883	DG201ACJ(SEL)	1826-1246	03285	AD667AD	1826-1382	10858	LT1001CN8 (SELECTED)	1826-1518	02883	DG200ACJ (SELECTED)
1826-1124	06338	LI65V	1826-1247	02883	DG243CK	1826-1384	03406	LM320LZ-5.0	1826-1519	05436	INA101SG

HP P/N	Mfr.	Desc.										
1826-1568	02180	OP-37EZ	1826-1606	11668	R5311-18	1826-1652	02037	MC34084AP	1826-1712	10858	LT1019ACH-5	
1826-1569	03406	LM3524N	1826-1607	02037	MC14051BCD	1826-1653	06338	L4962	1826-1713	02037	MPC2014	
1826-1571	01698	TLC27M4ID	1826-1608	10858	LT1024ACN	1826-1654	05436	OPA606KP	1826-1714	10921	CA3306E	
1826-1572	02910	LM393D	1826-1609	02883	DG211DT	1826-1655	02883	DC301ACJ	1826-1715	06338	L4922	
1826-1573	03688	MP260	1826-1610	01698	TLC5551D	1826-1656	03285	AD7547BQ	1826-1716	03285	AD611KH	
1826-1574	03285	AD592EN	1826-1611	01698	TLC2717CP	1826-1664	11604	CLC221AI	1826-1717	11302	MAX634CPA	
1826-1575	03406	LM110H	1826-1612	03291	MSA-0385	1826-1666	03406	MF10CCM	1826-1720	03406	LM675T	
1826-1576	00046	UC3846N	1826-1613	03291	MSA-0485	1826-1670	10858	LT337AT	1826-1722	03291	MSA-0185	
1826-1577	02910	TDA3047	1826-1614	02037	MM4020A	1826-1672	07050	MP768KDK	1826-1723	03291	MSA-0885	
1826-1578	02180	OP-17EZ	1826-1615	02910	LM393AFPE	1826-1675	05436	DACT03CH	1826-1724	03291	MSA-0785	
1826-1579	03285	AD595AD	1826-1617	02883	DC509A8K	1826-1676	02910	NE5568N	1826-1725	03406	LM833N	
1826-1580	03406	MF10ACN	1826-1618	08608	SSI510-4-CSE	1826-1677	06338	TDA8173	1826-1726	03406	LF411CNA+ (SELECTED)	
1826-1581	02037	MC34081AP	1826-1619	03285	AD7528JP	1826-1678	03714	IH5149CPE	1826-1728	10858	LT1028CJ8	
1826-1582	02037	MC34082AP	1826-1620	03285	AD7533KP	1826-1679	03714	IH5151CPE	1826-1729	03406	LM386N-4	
1826-1583	02883	SI7661CJ	1826-1621	02037	MC14066D	1826-1683	03714	ICL7673CBA	1826-1730	03285	AD7578BD	
1826-1584	00046	UC2846N	1826-1622	01698	TLO7KCD	1826-1684	02290	RC4200ADE	1826-1731	02037	MC10319L	
1826-1585	10858	LT1033CK	1826-1623	03406	LM319M	1826-1685	01698	TL7702ACD	1826-1734	02883	DG221CJ	
1826-1586	03406	LM2935T	1826-1627	01698	TLO82CD	1826-1688	10858	LT1021DCS8-10	1826-1736	02037	MCT8M05CDT	
1826-1587	03794	AM6012ADC	1826-1628	03285	AD625CD	1826-1688	03799	HA1-5190-2	1826-1735	10858	LT1007CS	
1826-1588	02686	WJ-A19-1	1826-1631	02180	OP-227EY	1826-1689	11604	CLC104AI	1826-1736	02037	MCT8M12CDT	
1826-1590	10858	LT1014CN	1826-1632	10881	TS085101P	1826-1690	10858	LT1022ACH	1826-1737	02037	MCT9M12CDT	
1826-1591	03285	AD654JN	1826-1634	03799	HA3-2539-5	1826-1691	03799	HA1-2539-5	1826-1738	02037	MCT9M05CDT	
1826-1592	03285	AD7535AD	1826-1635	10858	OP-07CS8	1826-1692	10858	LT1056CN8	1826-1739	03406	LM318M	
1826-1593	03799	HI1-674AKD-5	1826-1636	01698	TLO81CD	1826-1693	03406	ADCL205BCJ-1	1826-1744	05436	OPA606LM	
1826-1594	03406	LM311M	1826-1639	01698	TLC271ACP	1826-1694	03799	HA3-5033-5	1826-1750	03406	LM2935T05B	
1826-1595	12147	TML1842	1826-1640	03406	LM360J	1826-1699	03799	HA3-5002-5	1826-1752	03285	AD667JP	
1826-1596	02883	DG145BP	1826-1641	02180	GAP-01FP	1826-1700	03285	AD7225LP	1826-1753	03406	DALC218LCD	
1826-1597	03406	LM2940CT-5.0	1826-1643	02037	TL431ACD	1826-1701	03406	DS3699TN	1826-1754	01590	SN1952	
1826-1600	01698	LM324D	1826-1644	02037	TLO72BCD	1826-1702	10858	LT1055CN8	1826-4236	11668	R5312	
1826-1601	01698	TL431CD	1826-1645	03285	AD7828KP	1826-1703	11604	CLC203AI	1826-4237	11668	R5313	
1826-1602	01698	TLC555CD	1826-1646	03406	LP2950ACZ	1826-1705	04507	TDC1016B7C8	1826-4238	11668	10464	
1826-1603	11561	2VP5U9	1826-1649	05436	DAC700KH	1826-1706	10858	LT1021BCN8-5	1902-0908	03406	LM399H	
1826-1604	03285	AD585AQ	1826-1650	05436	OPAF11AM	1826-1708	02180	CMP-05FZ	1902-0928	03406	LM329	
1826-1605	11668	R5310-25	1826-1651	01698	NE592D	1826-1710	01698	SN75068P	1902-1331	03406	LM329D (SEL)	

JDEC	Mfr.	HP P/N										
10000DC	02237	1820-2398	3341DC	02237	1818-0093	74F112PC	02237	1820-2694				
100101DC	02237	1820-2611	334JC	02763	1820-1129	74F111NCP	02237	1820-4343				
100101FC	02237	1820-2390	33511DC	02237	1818-0422	74F111PC	02237	1820-2688				
100102DC	02237	1820-2614	3527AM	05436	1813-0151	74F1240D	02910	1820-5333				
100102FC	02237	1820-2391	3528AM	05436	1826-0767	74F125D	02910	1820-5053				
100107DC	02237	1820-2898	3528BM	05436	1826-1134	74F125N	02910	1820-4777				
100107FC	02237	1820-2392	3627AM	05436	1826-1434	74F125N	02910	1820-4779				
100112DC	02237	1820-2878	3816PC	02237	1820-2154	74F132N	02910	1820-4164				
100112FC	02237	1820-2393	4008BPC	02237	1820-2265	74F138D	02910	1820-5130				
100114DC	02237	1820-2515	40098PC	02237	1820-1484	74F138PC	02237	1820-2861				
100117DC	02237	1820-3062	4011BDC	02237	1820-1336	74F139PC	02237	1820-3220				
100118DC	02237	1820-3063	40163BPC	02237	1820-2125	74F148PC	02237	1820-3963				
100122DC	02237	1820-2509	4027BDC	02237	1820-1813	74F14N	02910	1820-4163				
100124DC	02237	1820-3064	4040BPC	02237	1820-2264	74F151D	02910	1820-5052				
100125DC	02237	1820-3065	4049BPC	02237	1820-2009	74F151PC	02237	1820-2936				
100131DC	02237	1820-2767	40K	03285	1813-0013	74F153PC	02237	1820-2769				
100131FC	02237	1820-2394	4104PC	02237	1820-2032	74F157AD	02910	1820-5042				
100136DC	02237	1820-2510	4512BPC	02237	1820-1586	74F157PC	02237	1820-2654				
100136FC	02237	1820-2395	4702BDC	02237	1820-1854	74F158PC	02237	1820-2695				
100141DC	02237	1820-3066	4JX19A519	01973	1820-0006	74F160AFC	02237	1820-3645				
100141FC	02237	1820-2396	4JX19A555	01973	1820-0001	74F161AFC	02237	1820-3090				
100151DC	02237	1820-2877	4JX19A581	01973	1820-0010	74F163AFC	02237	1820-3348				
100151FC	02237	1820-2397	5084-0128	01876	1820-0754	74F164PC	02237	1820-3649				
100155DC	02237	1820-3067	5416DM	02237	1820-1172	74F166N	02910	1820-5375				
100158DC	02237	1820-3068	5D12.075	11688	1813-0491	74F169PC	02237	1820-3135				
100160DC	02237	1820-3069	5D15.060	11688	1813-0489	74F174PC	02237	1820-3280				
100163DC	02237	1820-2511	5S5.600	11688	1813-0490	74F175D	02910	1820-5043				
100164DC	02237	1820-2512	606HM	11320	1813-0496	74F175PC	02237	1820-2696				
100164FC	02237	1820-2408	613SS2	05542	1826-1270	74F181PC	02237	1820-3221				
100165DC	02237	1820-2648	630AG	11320	1813-0495	74F182PC	02237	1820-2955				
100166DC	02237	1820-2768	67401N	04092	1820-4500	74F190PC	02237	1820-3222				
100170DC	02237	1820-3070	67S376J	04092	1820-2521	74F191PC	02237	1820-2760				
100171DC	02237	1820-3071	702HC	02237	1820-0051	74F193PC	02237	1820-4310				
100179DC	02237	1820-2513	709HC	02237	1820-0058	74F194PC	02237	1820-2697				
100180DC	02237	1820-3072	710HC	02237	1820-0321	74F195N	02910	1820-3983				
100181DC	02237	1820-2514	710HM	02237	1826-0114	74F20PC	02237	1820-2689				
100182DC	02237	1820-3073	7162	02838	1813-0133	74F240D	02910	1820-4860				
100183DC	02237	1820-3074	723BE	02763	1826-0177	74F240PC	02237	1820-2698				
10188N	02910	1820-2522	723HC	02237	1820-0196	74F241FC	02237	1820-2699				
10464	11668	1826-4238	725HC	02237	1826-0009	74F243PC	02237	1820-3223				
106A	03285	1820-0218	727HL	02237	1820-0408	74F244D	02910	1820-5218				
10938P	08810	1820-3916	7400DC	02237	1820-0856	74F244PC	02237	1820-2795				
10939P	08810	1820-3917	7403DC	02237	1820-0864	74F245PC	02237	1820-3224				
118A	03285	1820-0470	7404DC	02237	1820-0894	74F251AFC	02237	1820-3225				
11C01FC	02237	1820-2407	7408DC	02237	1820-0870	74F253PC	02237	1820-3226				
11C05DC	02237	1820-2140	7411PC	02237	1820-1066	74F257AD	02910	1820-5377				
11C70DC	02237	1820-1834	74123N	02910	1820-1585	74F257PC	02237	1820-3227				
11C90DC	02237	1820-1780	741DC	02237	1826-0070	74F258AFC	02237	1820-2763				
11C91DC	02237	1820-2404	741HM	02237	1826-0011	74F260N	02910	1820-5136				
1801DC	02237	1820-0868	7420DC	02237	1820-0857	74F269D	02910	1820-5051				
1AA6-6004	08323	1820-1967	7427DC	02237	1820-1787	74F269N	02910	1820-4125				
1AA7-6002	08323	1820-2146	742PC	02237	1826-0164	74F273D	02910	1820-5050				
1AA7-6202	08323	1820-2940	7474DC	02237	1820-0859	74F273N	02910	1820-4235				
1AA7-6203	08323	1820-2942	7476DC	02237	1820-0858	74F27N	02910	1820-4492				
1AD5-6101	08323	1820-3139	747DC	02237	1826-0100	74F280PC	02237	1820-3234				
1AD5-6201	08323	1820-										

JDEC

JDEC	Mfr.	HP P/N						
74F381PC	02237	1820-3231	7806KC	02237	1826-0160	9636ATC	02237	1820-2117
74F382PC	02237	1820-3279	7815UC	02237	1826-0396	9636ATC	02237	1820-3778
74F38D	02910	1820-4861	7818KC	02237	1826-0126	9637ATC	02237	1820-2198
74F38N	02910	1820-4057	7824UC	02237	1826-0150	9638TC	02237	1820-2199
74F395D	02910	1820-5436	78H05A	02237	1826-0656	9639ATC	02237	1820-2928
74F399PC	02237	1820-3278	78L12AHC	02237	1826-0333	963DC	02237	1820-0351
74F403DC	02237	1820-5080	79MOT2C	02237	1826-0305	964WTC	02237	1820-2365
74F40N	02910	1820-5212	8007C	03714	1826-0121	964DC	02237	1820-0964
74F51N	02910	1820-4778	8023A	11111	1820-4562	965DC	02237	1820-0965
74F521PC	02237	1820-2887	8242A	02910	1820-0719	966DC	02237	1820-0966
74F524PC	02237	1820-4900	8258B	03811	1820-4659	967DC	02237	1820-0967
74F525DC	02237	1820-5014	82541A	02910	1820-1862	967DC	02237	1820-0975
74F533PC	02237	1820-2786	8702CN	02763	1826-0621	968DC	02237	1820-0968
74F534PC	02237	1820-3012	8750CT	02763	1826-0593	96L02DC	03794	1820-0730
74F537PC	02237	1820-3232	8SS7	05542	1826-1137	96LS02PC	02237	1820-2600
74F538PC	02237	1820-3092	8T26AN	02910	1820-1081	96S02PC	02237	1820-2118
74F539PC	02237	1820-3233	8T34A	02910	1820-1845	971DC	02237	1820-0971
74F543SPC	02237	1820-4597	8T98B	02910	1820-1863	9806DC	02237	1820-0520
74F568N	02910	1820-5467	9000DC	02237	1820-0330	9816DC	02237	1820-0485
74F569PC	02237	1820-4031	9002DC	02237	1820-0127	9822DC	02237	1820-0519
74F573PC	02237	1820-5149	9003DC	02237	1820-0129	9834DC	02237	1820-0486
74F579N	02910	1820-4739	9004DC	02237	1820-0130	9838DC	02237	1820-0482
74F583PC	02237	1820-5386	9009DC	02237	1820-0131	9842DC	02237	1820-0488
74F64D	02910	1820-5045	9015DC	02237	1820-0745	9852DC	02237	1820-0187
74F64PC	02237	1820-2676	9016DC	02237	1820-0132	9853DC	02237	1820-0518
74F673APC	02237	1820-5374	9094DC	02237	1820-0341	9856DC	02237	1820-0186
74F676SDC	02237	1820-4537	9097DC	02237	1820-0342	9865DC	02237	1820-0517
74F74D	02910	1820-5040	9112DC	02237	1820-0516	9124DC	02237	1820-1085
74F74PC	02237	1820-2691	911HC	02237	1820-0081	9186PC	02237	1820-1117
74F85N	02910	1820-3939	9158DC	02237	1820-0863	9LS192PC	02237	1820-1684
74F86PC	02237	1820-2692	923HC	02237	1820-0052	9S41PC	02237	1820-1927
74H40DC	02237	1820-0867	9300PC	02237	1820-0134	A-4350	03780	1826-0247
74HC138D	02910	1820-4215	9301PC	02237	1820-0111	A110A-0100	01876	1820-0729
74HC240D	02910	1820-4216	9304PC	02237	1820-0357	A139A-0100	01876	1820-0412
74HC245D	02910	1820-4188	9305PC	02237	1820-0898	A141A-0100	01876	1820-0117
74HC27D	02910	1820-4219	9307PC	02237	1820-0914	A141A-0100	01876	1820-0119
74HC32D	02910	1820-4220	9308PC	02237	1820-0742	A141A-0100	01876	1820-0254
74HC4053D	02910	1820-4346	9310PC	02237	1820-0705	A142A-0100	01876	1820-0116
74HC85D	02910	1820-4218	9311PC	02237	1820-0495	A148A-0100	01876	1820-1060
74HC86D	02910	1820-4938	9313PC	02237	1820-1063	A152A-0100	01876	1820-0292
74HCT00D	02910	1820-5469	9314PC	02237	1820-0626	A152B-0100	01876	1820-0293
74HCT02D	02910	1820-5470	9316HCCD	02237	1820-2094	A154B-0100	01876	1820-0296
74HCT02N	02910	1820-4643	9316PC	02237	1820-0231	A159-0150	01876	1820-0285
74HCT03N	02910	1820-4863	9318PC	02237	1820-0657	A159-0200	01876	1820-0286
74HCT04D	02910	1820-5471	9319PC	02237	1820-2414	A165-0100	01876	1820-0329
74HCT08D	02910	1820-5181	931HC	02237	1820-0313	A167A-0100	01876	1820-0098
74HCT08N	02910	1820-4583	9321PC	02237	1820-0727	AC5947N	01698	1820-2626
74HCT109D	02910	1820-5472	9322PC	02237	1820-0616	AC5947NF	01698	1820-2259
74HCT10N	02910	1820-5057	9324PC	02237	1820-0706	AC5948N	01698	1820-2567
74HCT123D	02910	1820-4352	9328PC	02237	1820-0741	AD380KH	03285	1826-1523
74HCT125D	02910	1820-5473	9334PC	02237	1820-0833	AD503K (SEL)	03285	1826-0074
74HCT125N	02910	1820-4577	933DC	02237	1820-0346	AD504J	03285	1826-0249
74HCT126N	02910	1820-4667	9348PC	02237	1820-0737	AD506JH	03285	1826-0176
74HCT132N	02910	1820-5073	9356PC	02237	1820-1347	AD509JH	03285	1826-1088
74HCT138D	02910	1820-5182	935DC	02237	1820-0869	AD51HK	03285	1826-0251
74HCT14N	02910	1820-4242	9368PC	02237	1820-1903	AD517J	03285	1826-0897
74HCT151N	02910	1820-5055	936PC	02237	1820-0307	AD518J	03285	1826-0309
74HCT161N	02910	1820-5056	9370PC	02237	1820-2002	AD518KH	03285	1826-0672
74HCT163N	02910	1820-4630	9374PC	02237	1820-1361	AD518KH SELECTED	03285	1826-0327
74HCT175D	02910	1820-5474	937DC	02237	1820-0128	AD522A (SEL)	03285	1826-0595
74HCT175N	02910	1820-4780	93100PC	02237	1820-0659	AD522BD	03285	1813-0142
74HCT20N	02910	1820-4945	93101PC	02237	1820-0627	AD524AD	03285	1826-1191
74HCT21N	02910	1820-5111	93108PC	02237	1820-0614	AD524CD	03285	1826-1195
74HCT245N	02910	1820-4212	93109PC	02237	1820-0708	AD532JD	03285	1826-0263
74HCT251N	02910	1820-4584	93110PC	02237	1820-0669	AD533JH	03285	1826-0295
74HCT253BN	02910	1820-4585	93110PC	02237	1820-1752	AD534JH	03285	1826-0758
74HCT257N	02910	1820-4078	93111PC	02237	1820-0702	AD536ADJ	03285	1826-0421
74HCT259N	02910	1820-4567	93112PC	02237	1820-0658	AD536AJD (BURNED-IN)	03285	1826-0893
74HCT273D	02910	1820-5475	93114DM	02237	1820-1377	AD536AKD	03285	1826-0500
74HCT273N	02910	1820-4086	93114PC	02237	1820-0701	AD536AKH	03285	1826-0969
74HCT27N	02910	1820-4946	93116PC	02237	1820-0778	AD540J	03285	1826-0182
74HCT32N	02910	1820-4721	93118PC	02237	1820-0987	AD542KH	03285	1826-0822
74HCT365N	02910	1820-4602	93121PC	02237	1820-1017	AD542L	03285	1826-0627
74HCT377N	02910	1820-4465	93122PC	02237	1820-0710	AD544JH SELECTED	03285	1826-0891
74HCT393N	02910	1820-4948	93124PC	02237	1820-0904	AD545J	03285	1813-0232
74HCT4020D	02910	1820-5479	93128PC	02237	1820-0709	AD558JD	03285	1826-0858
74HCT4020N	02910	1820-4949	93134PC	02237	1820-1358	AD559KD	03285	1826-0430
74HCT540N	02910	1820-5424	93140DC	02237	1820-1111	AD561JD	03285	1826-0508
74HCT541D	02910	1820-5476	93S10DC	02237	1820-1373	AD561KD	03285	1820-1984
74HCT563P	07221	1820-3846	93S12DC	02237	1820-1290	AD562JD/BIN	03285	1820-1838
74HCT573D	02910	1820-5477	93S15DC	02237	1820-1475	AD562KD/BIN	03285	1826-0308
74HCT597N	02910	1820-5177	9400CJ	02763	1826-0575	AD565AD	03285	1826-1013
74HCT74D	02910	1820-5478	9401PC	02237	1820-2016	AD565JD	03285	1826-0896
74HCT86N	02910	1820-4589	9403PC	02237	1816-0934	AD565JD/BIN	03285	1826-0726
74LS00D	02910	1820-4376	944DC	02237	1820-0865	AD566AJD	03285	1826-1044
74LS00PC	02237	1820-2107	944PC	02237	1820-0348	AD566JN	03285	1826-0839
74LS04D	02910	1820-4367	946DC	02237	1820-0861	AD567JD	03285	1826-1240
74LS04N	02910	1820-2195	948DC	02237	1820-0862	AD567KD	03285	1826-1219
74LS08D	02910	1820-4363	949DC	02237	1820-0866	AD570JD	03285	1826-1100
74LS10D	02910	1820-4372	949PC	02237	1820-0349	AD571JD (SEL)	03285	1826-0597
74LS11D	02910	1820-4365	95003DC	02237	1820-2242	AD571KD	03285	1826-0973
74LS175D	02910	1820-4368	9504DC	02237	1820-1222	AD573JD	03285	1826-1359
74LS191D	02910	1820-4358	95102DC	02237	1820-2321	AD573JN	03285	1826-1418
74LS196PC	02237	1820-2049	951DC	02237	1820-0860	AD573KD	03285	1826-1483
74LS20D	02910	1820-4361	952DC	02237	1820-0952	AD574AJD	03285	1826-1296
74LS240D	02910	1820-4359	952DC	02237	1820-0972	AD574AKD	03285	1813-0257
74LS243N	02910	1820-2729	953DC	02237	1820-0953	AD578K2D	03285	1826-1184
74LS244D	02910	1820-4360	953DC	02237	1820-0973	AD581J	03285	1826-0742
74LS260N	02910	1820-1905	954DC	02237	1820-0954	AD581JH	03285	1826-1187
74LS27D	02910	1820-4366	955DC	02237	1820-0955	AD581KH	03285	1826-1043
74LS30D	02910	1820-4362	956DC	02237	1820-0956	AD581LH	03285	1826-0730
74LS32D	02910	1820-4371	956DC	02237	1820-0974	AD584KH	03285	1826-0650
74LS364N	02910	1820-3696	957DC	02237	1820-0957	AD584LH	03285	1826-0657
74LS390PC	02237	1820-1991	959DC	02237	1820-0110	AD585AQ	03285	1826-1604
74LS393PC	02237	1820-1989	95H90DC	02237	1820-1009	AD589JH	03285	1826-0964
74LS569PC	02237	1820-2366	9600DC	02237	1820-0875	AD589LH	03285	1826-0913
74LS74AD	02910	1820-4369	9601PC	02237	1820-0207	AD5901H	03285	1826-1188
74S109DC	02237	1820-1372	9602PC	02237	1820-0515	AD590JH	03285	1826-0698
74S273N	02910	1820-4449	960DC	02237	1820-0309	AD590KF	03285	1826-0764
74S533N	04092	1820-2527	9612TC	02237	1820-2089	AD590KH	03285	1826-0661
74S534N	04092	1820-2526	9613TC	02237	1820-2088	AD590LH	03285	1826-0830
7516	08661	1813-0168						

JDEC	Mfr.	HP P/N						
AD624BD	03285	1826-1312	ADOP07CH	03285	1826-0844	AM74LS148N	03794	1820-1851
AD625CD	03285	1826-1628	ADOP07EH	03285	1826-0957	AM74LS175N	03794	1820-1733
AD625JN	03285	1826-1559	ADSP-1012AJD	03285	1820-3499	AM74LS244N	03794	1820-2160
AD632AH	03285	1826-1287	ADSP1401KN	03285	1820-5155	AM74LS299N	03794	1820-1987
AD636JD	03285	1826-0935	ADSP3210KG	03285	1820-5157	AM74LS374AP	03794	1820-1997
AD637J	03285	1826-1314	ADSP3221KG	03285	1820-5156	AM74LS533PC	03794	1820-2883
AD642ZH	03285	1826-0949	AF120CH	03406	1826-0469	AM74LS160N	03794	1820-1877
AD642JH	03285	1826-1129	AF134-1CJ	03406	1826-0580	AM74LS161N	03794	1820-1876
AD644JH	03285	1826-1196	AH0019CD	03406	1820-1988	AM74LS244N	03794	1820-2565
AD654JN	03285	1826-1591	AH0134CD	03406	1820-1370	AM7910DC	03794	1826-1363
AD667AD	03285	1826-1246	AH0140CD	03406	1826-0919	AM7911PC	03794	1820-5161
AD667JN	03285	1826-1424	AH0145CD	03406	1826-0920	AM7960	03794	1826-1388
AD667JP	03285	1826-1752	AH0152CD	03406	1820-1371	AM7990DC/70	03794	1820-3828
AD7111KN	03285	1826-1489	AH0154HD	03406	1813-0054	AM7991ADC	03794	1820-3829
AD7118BD	03285	1826-1111	AH5010CN	03406	1826-1017	AM7992BDC	03794	1820-4401
AD7224CQ	03285	1826-1486	AH5020CC	03406	1826-1468	AM8151DC	03794	1826-1547
AD7224LN	03285	1826-1425	AH2502PC	03794	1820-2168	AM93S48PC	03794	1820-1968
AD7225LJ	03285	1826-1700	AM2503PC	03794	1820-2738	AMPALL6H8APC UNFRGMD	03794	1820-3610
AD7226BQ	03285	1826-1234	AM2505PC	03794	1820-1398	AMPALL6H8LPC UNFRGMD	03794	1820-3772
AD7226KN	03285	1826-1379	AM25L02DC	03794	1820-2990	AMPALL6H88APC UNFRGMD	03794	1820-3611
AD7240BQ	03285	1826-1190	AM25L04PC	03794	1820-1978	AMPALL6L8ADAC UNFRGMD	03794	1820-3556
AD744KH (SEL)	03285	1826-0090	AM25LS07PC	03794	1820-1866	AMPALL6L8AFC UNFRGMD	03794	1820-3355
AD741LH	03285	1826-0082	AM25LS08PC	03794	1820-1865	AMPALL6L8LDC UNFRGMD	03794	1820-3852
AD7502JN	03285	1826-0779	AM25LS09PC	03794	1820-1867	AMPALL6L8LPC UNFRGMD	03794	1820-3356
AD7503JD	03285	1826-0898	AM25LS14ADC	03794	1820-2120	AMPALL6L8R8APC UNFRGMD	03794	1820-3612
AD7503JN	03285	1826-0878	AM25LS144PC	03794	1820-4609	AMPALL6R4ADC UNFRGMD	03794	1820-3557
AD7503KN	03285	1826-1451	AM25LS160APC	03794	1820-1992	AMPALL6R4APC UNFRGMD	03794	1820-3986
AD7506KD	03285	1826-0602	AM25LS161APC	03794	1820-2445	AMPALL6R4LDC UNFRGMD	03794	1820-3359
AD7506KN	03285	1826-1401	AM25LS174PC	03794	1820-1700	AMPALL6R4LPC UNFRGMD	03794	1820-4435
AD7510DIJN	03285	1820-1374	AM25LS175PC	03794	1820-1699	AMPALL6R6ADC UNFRGMD	03794	1820-3554
AD7511DIKN	03285	1826-0916	AM25LS191PC	03794	1820-2863	AMPALL6R6APC UNFRGMD	03794	1820-4082
AD7512DIJN	03285	1826-0821	AM25LS2518PC	03794	1820-2190	AMPALL6R6LDC UNFRGMD	03794	1820-3358
AD7516KN (SEL)	03285	1826-0671	AM25LS2520DC	03794	1820-2405	AMPALL6R6LPC UNFRGMD	03794	1820-4939
AD7520JN	03285	1826-0252	AM25LS2520PC	03794	1820-4610	AMPALL6R8ADC UNFRGMD	03794	1820-3555
AD7520JN (SEL)	03285	1826-0541	AM25LS2521PC	03794	1820-2311	AMPALL6R8APC UNFRGMD	03794	1820-3783
AD7520LN	03285	1826-0264	AM25LS2521PC	03794	1820-2740	AMPALL6R8LDC UNFRGMD	03794	1820-3617
AD7521LN (SEL)	03285	1826-0647	AM25LS2538PC	03794	1820-2465	AMPALL6R8LDM UNFRGMD	03794	1820-3865
AD7522JN	03285	1826-0729	AM25LS2539PC	03794	1820-2262	AMPALL6R8LPC UNFRGMD	03794	1820-4436
AD7522LN	03285	1826-0857	AM25LS2548PC	03794	1820-3588	AMPALL18P8BPC UNFRGMD	03794	1820-5480
AD7523AD	03714	1826-0944	AM25LS2568DC	03794	1820-3013	AMPALL18P8LPC UNFRGMD	03794	1820-5507
AD7523JN	03285	1826-0707	AM25LS2568PC	03794	1820-2926	AMPALL18P8QPC UNFRGMD	03794	1820-5493
AD7524AD	03285	1826-0699	AM25LS2569DC	03794	1820-2270	AMPAL22V10ADC UNFRGMD	03794	1820-4975
AD7524JN	03285	1826-0639	AM25LS2569PC	03794	1820-2653	AMPAL22V10APC UNFRGMD	03794	1820-3616
AD7524LN	03285	1826-1118	AM25LS2599PC	03794	1820-2906	AMPAL22V10DC UNFRGMD	03794	1820-4974
AD7525CD	03285	1826-1303	AM25LS381PC	03794	1820-2999	AMPAL22V170C UNFRGMD	03794	1820-4034
AD7525KN	03285	1826-0636	AM25LS353PC	03794	1820-2784	AY-5-2376-006	02713	1820-2625
AD7528BQ	03285	1826-1107	AM25S07DC	03794	1820-2454	B091-0100	01876	1820-0634
AD7528JN	03285	1826-1204	AM25S08BPC	03794	1820-2375	B149A-0150	01876	1820-0736
AD7528JN	03285	1826-1232	AM25S09PC	03794	1820-1981	B149A-0150	01876	1820-1354
AD7528JP	03285	1826-1619	AM25S10PC	03794	1820-2458	B149A-0200	01876	1820-0557
AD7528KN	03285	1826-1231	AM25S18PC	03794	1820-2459	BR1941M-06	00575	1820-2876
AD7530JD	03285	1826-0356	AM26LS29PC	03794	1820-3878	C1402A	03811	1820-0733
AD7530JN	03285	1820-1789	AM26LS30DC	03794	1820-3755	C164A-0150	01876	1820-0753
AD7530LD	03285	1826-0504	AM26LS31DD	01698	1820-5326	C164B-0150	01876	1820-0982
AD7530LN	03285	1826-0485	AM26LS31PC	03794	1820-2749	C3207	03811	1820-1008
AD7531JN	03285	1826-0874	AM26LS32ACD	01698	1820-5327	C67401J RELAXED	04092	1816-1536
AD7533 (SEL)	03285	1826-1202	AM26LS32ACN (SELECTED)	01698	1820-2594	C67401N	04092	1820-3458
AD7533AD	03285	1826-1031	AM26LS32BPC	03794	1820-2830	CA 3001	01921	1820-0192
AD7533CD	03285	1826-0921	AM26LS32PC	03794	1820-2203	CA101AE	01921	1826-0927
AD7533JN	03285	1826-0838	AM26LS34PC	03794	1820-3283	CA207E	01921	1826-0296
AD7533KP	03285	1826-1620	AM26LS38DC	03794	1820-4133	CA239AE	01921	1826-0814
AD7533LN	03285	1826-0861	AM26S02PC	03794	1820-1782	CA258AE	01921	1826-0813
AD7534AD	03285	1826-1442	AM26S10PC	03794	1820-3281	CA3000	01921	1820-0297
AD7534JN	03285	1826-1399	AM26S11PC	03794	1820-4128	CA3002	01921	1820-0417
AD7535AD	03285	1826-1592	AM26S12PC	03794	1820-3077	CA3004	01921	1826-0087
AD7541A	03285	1826-1158	AM2813ADC	03794	1818-0277	CA3005	01921	1820-0046
AD7541ABQ	03285	1826-1169	AM2960DC	03794	1820-2954	CA3010	01921	1820-0047
AD7541AKN	03285	1826-1386	AM2964BDC	03794	1820-2903	CA3012	01921	1820-0474
AD7541BD (SEL)	03285	1826-0684	AM2965PC	03794	1820-3528	CA3020	01921	1820-0298
AD7541BD (SEL)	03285	1826-0797	AM2966PC	03794	1820-2981	CA3023	01921	1820-0433
AD7541JN	03285	1826-0697	AM2966PC (SELECTED)	03794	1820-2826	CA3028A	01921	1820-0306
AD7541KN	03285	1826-0865	AM29821DC	03794	1820-4060	CA3028B	01921	1820-0137
AD7542BD	03285	1826-0752	AM29822DC	03794	1820-4061	CA3029	01921	1820-0326
AD7543JN	03285	1826-1453	AM29823DC	03794	1820-3307	CA3030	01921	1826-0078
AD7545BQ	03285	1826-1170	AM29824DC	03794	1820-3306	CA3051	01921	1820-0249
AD7545GLN	03285	1826-1407	AM29825DC	03794	1820-3019	CA3053	01921	1826-0230
AD7545JN	03285	1826-1393	AM29826DC	03794	1820-3977	CA3054	01921	1826-0780
AD7545KN (SELECTED)	03285	1826-1400	AM29827DC	03794	1820-3440	CA3059	01921	1826-0041
AD7546BD	03285	1826-1416	AM29828DC	03794	1820-4062	CA3060DC	01921	1826-0015
AD7547BQ	03285	1826-1656	AM29834DC	03794	1820-4063	CA3075	01921	1826-0153
AD7548JN	03285	1826-1284	AM29841DC	03794	1820-3961	CA3079	01921	1826-0075
AD7549BD	03285	1826-1443	AM29842DC	03794	1820-4064	CA307T	01921	1826-1254
AD7550BD	03285	1820-1995	AM29843DC	03794	1820-3962	CA3080	01921	1826-0185
AD7574JN	03285	1826-0713	AM29843PC	03794	1820-4770	CA3080E	01921	1826-0534
AD7574KN	03285	1826-0877	AM29844DC	03794	1820-4065	CA3085	01921	1826-0292
AD7578BD	03285	1826-1730	AM29845DC	03794	1820-3020	CA3094AE	01921	1826-0946
AD7581LN	03285	1826-1198	AM29846DC	03794	1820-4066	CA3094AT	01921	1826-0167
AD7828KP	03285	1826-1645	AM29853DC	03794	1820-4067	CA3099E	01921	1826-0321
ADC-856C	10321	1826-0881	AM29854DC	03794	1820-3888	CA3100T	01921	1826-0218
ADC-HZ12BGC (SELECTED)	10321	1813-0155	AM29861DC	03794	1820-4068	CA3130AS	01921	1826-0626
ADC0800PCD	03406	1826-0517	AM29862DC	03794	1820-4069	CA3130T	01921	1826-0307
ADC0801LDC	03406	1826-0750	AM29863DC	03794	1820-3426	CA3140AE	01921	1826-1535
ADC0802LDC	03406	1826-1552	AM29864DC	03794	1820-4070	CA3140AS	01921	1826-0930
ADC0803LDC	03406	1826-0733	AM301AH	03794	1826-0392	CA3140AT	01921	1826-0679
ADC0803LDC	03406	1826-0894	AM6012ADC	03794	1826-1587	CA3140E	01921	1826-0506
ADC0804LDC	03406	1826-0756	AM6012APC	03794	1826-1236	CA3140H	01921	1826-0549
ADC0804LDC	03406	1826-0717	AM6012DC	03794	1826-0705	CA3140T	01921	1826-0465
ADC0808CCN	03406	1826-1139	AM6012PC	03794	1826-1334	CA3161E	01921	1820-2658
ADC0809CCN	03406	1826-1477	AM6070ADC	03794	1826-1253	CA3162E	01921	1826-0854
ADC0816CCN	03406	1826-0710	AM6080APC	03794	1826-0856	CA3189E	01921	1826-1326
ADC0820BCN	03406	1826-1332	AM6080BDC	03794	1826-1015	CA3199E	01921	1820-3704
ADC0833BCJ	03406	1826-1375	AM6080PC	03794	1826-0832	CA3240AE	01921	1826-0653
ADC0833BCN	03406	1826-1390	AM6081PC SELECTED	03794	1826-0659	CA3240E	01921	1826-0794
ADC0844CCN	03406	1826-1248	AM6108	03794	1826-1070	CA3290E	01921	1826-0810
ADC1205BCJ-1	03285	1826-1693	AM6112DC (SELECTED)	03794	1826-1226	CA3300D	01921	1826-0970
ADC12Q2003	05436	1813-0450	AM6148DC	03794	1826-1211	CA3306E	01921	1826-1714
ADC71KG	05436	1813-0322	AM6685HL	03794	1826-1445	CA339E SELECTED	01921	1826-0347
ADC76JG	05436	1813-0511	AM6687DL	03794	1826-1378	CA6741T SELECTED	01921	1826-0261
ADC76KG	05436	1813-0098	AM685DL					

JDEC	Mfr.	HP P/N						
CD4002AF	01921	1820-1537	CD4081BF	01921	1820-1551	DAC71-CSB-I	05436	1813-0251
CD4002UBE	01921	1820-0948	CD4082BE	01921	1820-1409	DAC71-CSB-V	05436	1813-0283
CD4006AF	01921	1820-0962	CD4085BF	01921	1820-2017	DAC80-CBI-I (SEL'D)	05436	1813-0094
CD4007AE	01921	1820-0978	CD4086BF	01921	1820-2018	DAC80-CBI-I (SEL'D)	05436	1813-0118
CD4008AF	01921	1820-0926	CD4089BE	01921	1820-1661	DAC80-CBI-V	06861	1813-0105
CD4009AF	01921	1820-0979	CD4093BE	01921	1820-1600	DAC80-CBI-V (SEL'D)	05436	1813-0125
CD40103BF	01921	1820-2241	CD4093BE	01921	1820-1577	DAC80-CCD-V	05436	1813-0092
CD40106BE	01921	1820-2950	CD4094BE	01921	1820-1662	DAC800-CBI-I	05436	1826-1450
CD40109BE	01921	1820-3907	CD4094BF	01921	1820-2222	DAC800-CBI-I-7	05436	1826-1497
CD4010AF	01921	1820-0980	CD4095BE	01921	1820-1663	DAC800-CBI-V	05436	1826-1008
CD40115D	01921	1820-2048	CD4096BE	01921	1820-1664	DAC811AH	05436	1826-1406
CD40116E	01921	1820-2662	CD4097BE	01921	1820-2209	DAC9331-16-4	03755	1826-1089
CD4011AF	01921	1820-1538	CD4097BF	01921	1820-1650	DAC9331-16-5	03755	1826-1242
CD4011UBE	01921	1820-0949	CD4098BE	01921	1820-1665	DAC9377-16-6	03755	1813-0410
CD4012AF	01921	1820-1539	CD4099BE	01921	1820-2233	DG133BP	02883	1826-1484
CD4012UBE	01921	1820-0950	CD4099BF	01921	1820-2945	DG145BP	02883	1826-1596
CD4013AF	01921	1820-1531	CD4502BE	01921	1820-2233	DG172BK	02883	1826-0105
CD4013BE	01921	1820-0939	CD4512BF	01921	1820-2229	DG180-BA	02883	1826-1209
CD4014AE	01921	1820-0970	CD4541BCN	03406	1820-3516	DG180BP	02883	1826-0914
CD4015AF	01921	1820-1541	CD4555BE	01921	1820-1516	DG182BP	02883	1826-0669
CD4015BE	01921	1820-0976	CD4555BF	01921	1820-1556	DG184BP	02883	1820-1724
CD40163BCN	03406	1820-1466	CD4556BE	01921	1820-1515	DG200ABA	02883	1826-1020
CD4016AE	01921	1820-0981	CD4556BF	01921	1820-1555	DG200ABK	02883	1826-1161
CD4016AF	01921	1820-1675	CD74HC670E	01921	1820-3786	DG200ACJ (SELECTED)	02883	1826-1518
CD4017AE	01921	1820-0933	CD74HCT154E	01921	1820-4862	DG200BA	02883	1820-1807
CD4018AF	01921	1820-0934	CD74HCT164E	01921	1820-4865	DG200BA	02883	1826-0154
CD4018AF	01921	1820-1529	CD74HCT173E	01921	1820-3844	DG201ABK	02883	1826-0606
CD4019AF	01921	1820-1553	CD74HCT174E	01921	1820-3940	DG201ABK	02883	1826-1019
CD4019BCN	03406	1820-2085	CD74HCT193E	01921	1820-4151	DG201ACJ	02883	1826-1018
CD4019BE	01921	1820-0951	CD74HCT74E	01921	1820-3537	DG201ACJ (SEL)	02883	1826-1123
CD4020BE	01921	1820-0935	CDRI25BK	02883	1826-0152	DG201CJ	02883	1820-1840
CD4021AF	01921	1820-0961	CH1710-01	04077	1813-0310	DG201CJ	02883	1820-1971
CD4021BF	01921	1820-1898	CH1720-01	04077	1813-0311	DG211CJ	02883	1826-0850
CD4022BE	01921	1820-0929	CH1730-01	04077	1813-0312	DG211DY	02883	1826-1609
CD4023BF	01921	1820-1552	CH1740-01	04077	1813-0313	DG212CJ	02883	1826-1361
CD4023UBE	01921	1820-0943	CLC103AI	11604	1813-0508	DG221CJ	02883	1826-1733
CD4024BE	01921	1820-0936	CLC104AI	11604	1826-1689	DG243CK	02883	1826-1247
CD4024BF	01921	1820-1897	CLC203AI	11604	1826-1703	DG271CJ	02883	1826-1487
CD4025AF	01921	1820-1535	CLC220AI-SCD	11604	1813-0476	DG300CJ	02883	1826-0778
CD4025UBE	01921	1820-0944	CLC221AI	11604	1826-1664	DG301ACJ	02883	1826-1655
CD4026AE	01921	1820-0930	CMP-01-CJ	02180	1826-0116	DG301BA	02883	1826-0879
CD4027AF	01921	1820-1530	CMP-01CP	02180	1826-1122	DG302ACJ	02883	1826-0776
CD4027BE	01921	1820-0938	CMP-01CZ	02180	1826-1384	DG303ACJ	02883	1826-0777
CD4028AF	01921	1820-0927	CMP-02CJ	02180	1826-1272	DG303BP	02883	1826-0769
CD4029AE	01921	1820-1598	CMP-04GP	02180	1826-0787	DG308ACJ	02883	1826-0907
CD4029AE	01921	1820-3018	CMP-05FZ	02180	1826-1708	DG381CK	02883	1826-0951
CD4029BCN	03406	1820-2083	COM8116T	01425	1820-2960	DG390ACK	02883	1826-0950
CD4029BE	01921	1820-0931	CP82C82	03799	1820-3486	DG390CJ	02883	1826-1205
CD4029BF	01921	1820-1528	CT1602	11596	1813-0468	DG506BR	02883	1826-1841
CD4030AE	01921	1820-0947	CTI321	11596	1813-0469	DG508ABK	02883	1826-0605
CD4030AF	01921	1820-1536	CX20052A	06916	1826-1237	DG508ACJ	02883	1826-1725
CD4031AE	01921	1820-0963	CX20220A-1	06916	1826-1556	DG508ACJ	02883	1826-1021
CD4031BF	01921	1820-2231	CY7C404-15FC	11345	1820-4160	DG509ABK	02883	1826-1617
CD4032AE	01921	1820-0925	DI139BP	02883	1820-2345	DH0034CD	03406	1813-0160
CD4033AE	01921	1820-0932	DI169CJ	02883	1820-3691	DH0035CG	03406	1820-1797
CD4034AE	01921	1820-0977	DI169CK	02883	1820-3685	DM2504CN	03406	1820-1720
CD4035AE	01921	1820-0969	D2910A-4	03811	1826-0941	DM5406N	03406	1820-1043
CD4035AF	01921	1820-1554	D2911A-2	03811	1826-0940	DM54LS123J	03406	1820-1750
CD4037AE	01921	1820-0945	D2912	03811	1826-0943	DM74193N	03406	1820-0233
CD4038AE	01921	1820-0924	D2912-3	03811	1826-0942	DM7441AN	03406	1820-0100
CD4040AF	01921	1820-1925	D2913	03811	1826-1030	DM74ALS373N	03406	1820-3378
CD4040BE	01921	1820-0937	D3242	03811	1820-2076	DM74L00N	03406	1820-0583
CD4041AE	01921	1820-0928	D3245	03811	1820-1758	DM74L00N	03406	1820-1518
CD40411UBF	01921	1820-2225	D4201	03811	1820-2071	DM74L02N	03406	1820-0584
CD4042AF	01921	1820-0958	D469CJ	02883	1820-3377	DM74L03N	03406	1820-0585
CD4042AF	01921	1820-1540	D58859N	03406	1820-2971	DM74L04N	03406	1820-0586
CD4043AE	01921	1820-0941	D5C060-35	03811	1820-5346	DM74L10N	03406	1820-0587
CD4043AF	01921	1820-1533	D7230	03811	1820-2818	DM74L164AN	03406	1820-0602
CD4044AE	01921	1820-0940	D7234	03811	1820-4971	DM74L20N	03406	1820-0588
CD4044AF	01921	1820-1532	D7242	03811	1820-2817	DM74L30N	03406	1820-0589
CD4044BF	01921	1820-4876	D7245	03811	1820-4968	DM74L42AN	03406	1820-1047
CD4045AE	01921	1820-1318	D7250	03811	1820-2816	DM74L51N	03406	1820-0590
CD4045BF	01921	1820-2226	DAC-01CY	02180	1826-0020	DM74L54N	03406	1820-0591
CD4046AF	01921	1820-1188	DAC-08CP	02180	1826-1035	DM74L55N	03406	1820-0592
CD4047AE	01921	1820-1317	DAC-08BD	02910	1826-1458	DM74L71N	03406	1820-0593
CD4047BF	01921	1820-2230	DAC-08EN	03794	1826-0550	DM74L72N	03406	1820-0594
CD4048AE	01921	1820-1316	DAC-08EQ	02180	1820-1934	DM74L73N	03406	1820-0595
CD4048BCJ	03406	1820-3609	DAC-100ACQ3	02180	1826-0453	DM74L74N	03406	1820-0596
CD4049AF	01921	1820-1542	DAC-100BCQ3	02180	1826-0127	DM74L78N	03406	1820-0597
CD4049UBE	01921	1820-1145	DAC-100CCQ3	02180	1826-0197	DM74L85N	03406	1820-0603
CD4050AF	01921	1820-1543	DAC-100CCQ4	02180	1826-0577	DM74L86N	03406	1820-0598
CD4050BCN	03406	1820-2644	DAC-10FFX	02180	1826-0938	DM74L90N	03406	1820-0600
CD4050BE	01921	1820-1146	DAC-20CQ	02180	1826-1304	DM74L93N	03406	1820-0601
CD4051BE	01921	1820-1315	DAC-210FX	02180	1826-1155	DM74L95N	03406	1820-0599
CD4051BF	01921	1820-1513	DAC-31ZFR	02180	1826-1036	DM74LS154N	03406	1820-2053
CD4052BE	01921	1820-1314	DAC-888	02180	1826-1143	DM74LS168AN	03406	1820-3078
CD4053BE	01921	1820-1313	DAC-888FX	02180	1826-1174	DM74LS173N	03406	1820-1885
CD4053BF	01921	1820-1510	DAC-88EX	02180	1826-1193	DM74LS74N	03406	1820-3459
CD4053BY	01921	1820-1545	DAC-89 (SEL)	02180	1826-0864	DM74LS253N	03406	1820-2287
CD4054BE	01921	1820-1331	DAC-HAL2DC	10321	1813-0147	DM76L75N	03406	1820-1376
CD4055BE	01921	1820-1646	DAC0800LCL	03406	1826-1331	DM8090N	03406	1820-1148
CD4056BE	01921	1820-2487	DAC0802LCL	03406	1826-1385	DM8093N	03406	1820-1121
CD4059AD	01921	1820-1649	DAC0808LCL	03406	1826-1305	DM8094N	03406	1820-0846
CD4060AE	01921	1820-1667	DAC0832LCL	03406	1826-1068	DM8095N	03406	1820-1254
CD4060BE	01921	1820-2588	DAC1006LCL	03406	1826-1206	DM8096N	03406	1820-1368
CD4066AE	01921	1820-1325	DAC1006LCL	03406	1826-1342	DM8097N	03406	1820-1049
CD4066AY	01921	1820-1548	DAC1136K	03285	1826-1032	DM8098N	03406	1820-1255
CD4067BE	01921	1820-1660	DAC1200HCD	03406	1826-0674	DM8099N	03406	1820-2098
CD4067BF	01921	1820-2221	DAC1202HCD	03406	1826-0751	DM8121N	03406	1820-1295
CD4068BE	01921	1820-1410	DAC1208LCL	03406	1826-1548	DM8123N	03406	1820-1294
CD4068BF	01921	1820-2330	DAC1218LCL	03406	1826-1753	DM8130N	03406	1820-1293
CD4069UBE	01921	1820-1404	DAC1219LCL	03406	1826-1101	DM8131N	03406	1820-2353
CD4070BE	01921	1820-1601	DAC1230LCL (SELECTED)	03406	1826-1488	DM8160N	03406	1820-1131
CD4071BE	01921	1820-1483	DAC1232LCL	03406	1826-1341	DM81L23N	03406	1820-1167
CD4071BF	01921	1820-1550	DAC12Q5/C-B	03285	0960-0632	DM81LS95N	03406	1820-1794
CD4072BE	01921	1820-1403	DAC12Q2CB	03285	1820-1362	DM81LS96N	03406	1820-1872
CD4073BE	01921	1820-1408	DAC16QM/C-B	03285	0960-0631	DM81LS97N	03406	1820-1759
CD4075BE	01921	1820-1405	DAC372-12-BCD	03755	1813-0036	DM81LS98N	03406	1820-1873
CD4076BE	01921	1820-1578	DAC63CM	05436	1826-1238	DM8200N	03406	1820-0623
CD4076BF	01921	1820-1544	DAC700KH	05436	1826-1649	DM8214N	03406	1820-0906
CD4077BE	01921	1820-1672	DAC701KH	05436	1826-1353	DM8220N		

JDEC	Mfr.	HP P/N						
DM8553N	03406	1820-1113	HA2-2625-5 (SELECTED)	03799	1826-0487	IH5020CPA	03714	1826-0790
DM8554N	03406	1820-1291	HA2-2625-5 (SELECTED)	03799	1826-0670	IH5020NPA	03714	1820-1353
DM8555N	03406	1820-1857	HA2-2625-5	03799	1826-0425	IH5027CPE	03714	1826-0442
DM8556N	03406	1820-1874	HA3-2539-5	03799	1826-1634	IH5028CPE	03714	1826-0489
DM8570N	03406	1820-0294	HA3-2605-5	03799	1826-0721	IH5032CPE	03714	1826-0490
DM8590N	03406	1820-0262	HA3-2625-5	03799	1826-0736	IH5035CPE	03714	1820-1234
DM85151N	03406	1820-1166	HA3-2625-5 SELECTED	03799	1826-1309	IH5042CJE	03714	1826-1159
DM85152N	03406	1820-1472	HA3-5002-5	03799	1826-1699	IH5108CJE	03714	1826-0924
DM85154N	03406	1820-1349	HA3-5033-5	03799	1826-1694	IH5149CPE	03714	1826-1678
DM85568J	03406	1820-1985	HAT-2505-5	03799	1826-0735	IH5151CPE	03714	1826-1679
DM86175N	03406	1820-0986	HAT-2515-5	03799	1826-1045	IH6108CPE	03714	1826-1241
DM86176N	03406	1820-1057	HAT-2525-5	03799	1826-1220	IH6216CPI	03714	1820-2183
DMPAL16L8B2VC UNPRGMD	03406	1820-5336	HAT-2645-5	03799	1826-0929	IM5013CDD	03714	1820-1363
DF83404N	03406	1820-2239	HAT-5130-5	03799	1826-1420	IM5013CDD	03714	1820-0781
DF8340N	03406	1820-3417	HCTL-2000	01542	1820-4792	IM6402-11PL	03714	1820-2204
DF8341N	03406	1820-3418	HD100112	06347	1820-3887	IM6402IDL	03714	1820-2087
DF8344	03406	1820-5411	HD100131	06347	1820-4228	INAI01AM	05436	1826-1027
DF8392AN	03406	1820-4889	HD100150	06347	1820-3595	INAI01SIG	05436	1826-1519
DF8392N	03406	1820-4896	HD44102CH	06347	1820-3859	KS74AHCT02N	12125	1820-4781
DF8408N	03406	1820-3154	HD44103CH	06347	1820-3860	KS74AHCT10N	12125	1820-5147
DF8409N-2	03406	1820-3142	HD6350F	06347	1820-3938	KS74AHCT138N	12125	1820-4754
DF8451N	03406	1820-3969	HD74HCT1449P	06347	1820-5432	KS74AHCT14N	12125	1820-5098
DF8451V-4	03406	1820-4877	HD74LS390P	06347	1820-2885	KS74AHCT240N	12125	1820-4748
DF8461N	03406	1820-3705	HDS1015EM	03285	1826-1094	KS74AHCT244N	12125	1820-4749
DF8461N	03406	1820-4334	HEF4001BT	02910	1820-4333	KS74AHCT257N	12125	1820-5100
DF8464BV	03406	1820-5242	HEF4066BT	02910	1826-1207	KS74AHCT258N	12125	1820-5101
DQ8023A	11111	1820-4189	HEF4069UBT	02910	1820-4332	KS74AHCT259N	12125	1820-4752
DRAM 6.8B10	06563	1826-0091	HEF4076BT	02910	1820-4217	KS74AHCT273N	12125	1820-4753
DS0025CN	03406	1820-0718	HEF4724BP	02910	1820-4229	KS74AHCT32N	12125	1820-5099
DS0026CG	03406	1820-1065	H11-0201-4	03799	1826-1012	KS74AHCT40N	12125	1820-4747
DS0026CN	03406	1820-1366	H11-0508A-5	03799	1826-0983	L-35-OV-5	06545	1826-1498
DS0056CN	03794	1820-2103	H11-0509A-5	03799	1826-1063	L144CJ	02883	1826-0401
DS14089AN	03406	1820-4253	H11-0518-5	03799	1826-1438	L146CB	06338	1826-1132
DS14088N	03406	1820-4691	H11-0539-5	03799	1826-1366	L165V	06338	1826-1124
DS14089AN	03406	1820-4690	H11-0562A-5	03799	1826-0860	L2-OV-12	06545	1826-0693
DS3245N	03406	1820-3769	H11-1818A-5	03799	1826-0429	L2-OV-15	06545	1826-0692
DS3487M	03406	1820-5438	H11-200-4	03799	1826-1102	L2-OV-20	06545	1826-0691
DS3487N	03406	1820-3445	H11-303-5	03799	1826-1414	L2-OV-5	06545	1826-0694
DS3611N	03406	1820-1796	H11-5042-5	03799	1826-0958	L292	06338	1826-0895
DS3612N	03406	1820-2041	H11-5043-5	03799	1826-0740	L293B	06338	1820-5494
DS3630N	03406	1826-0492	H11-5044-5	03799	1826-0952	L293D	06338	1820-4997
DS3631N	03406	1820-2174	H11-507A-2	03799	1826-1503	L293E	06338	1826-1266
DS3632N	03406	1820-2290	H11-507A-5	03799	1826-1252	L296P	06338	1826-1199
DS3649N	03406	1820-2234	H11-508-5	03799	1826-1277	L297	06338	1826-1267
DS3658N	03406	1820-4185	H11-509A-5	03799	1826-1276	L298	06338	1826-4205
DS3667N	03406	1820-2862	H11-674AKD-5	03799	1826-1593	L4922	06338	1826-1715
DS3669N	03406	1820-4186	HI2-0200-5	03799	1820-1781	L4962	06338	1826-1653
DS3674N	03406	1820-3658	HI3-0201-5	03799	1826-1282	L6-OV-5	06545	1826-0731
DS3686N	03406	1820-2973	HI3-0201-5	03799	1826-1291	L6-OV-5	06545	1826-0732
DS3687N	03406	1820-3581	HI3-0508A-5	03799	1826-1064	LAS-1515	06545	1826-0402
DS3695N	03406	1820-4527	HI3-0509-5	03799	1826-1482	LAS-1815	06545	1826-0403
DS3695TN	03406	1826-1701	HI3-201HS-5	03799	1826-1346	LAS-191U	06545	1826-0591
DS75160AN	03406	1820-3431	HOS-100AH	03285	1813-0486	LAS15A15	06545	1826-0819
DS75161AN	03406	1820-3513	HPL1-16LC8-9 UNPRGMD	03799	1820-4523	LAS18A15	06545	1826-0820
DS75162AN	03406	1820-3518	HPL1-16RC4-9 UNPRGMD	03799	1820-4524	LAS1912	06545	1826-0784
DS75492N	03406	1820-1670	HPL1-16RC6-9 UNPRGMD	03799	1820-4522	LAS1915	06545	1826-0754
DS75492N	03406	1820-2254	HS3120-02	03755	1826-1114	LB1246	07371	1820-4761
DS8640N	03406	1820-2178	ICL 8013CC TZ	03714	1826-0455	LD1100CJ	02883	1820-1252
DS8654N	03406	1820-2957	ICL 8049 CC PE	03714	1826-0432	LD1111CJ	02883	1826-0195
DS8800H	03406	1820-1021	ICL 8250 C PE	03714	1826-0387	LD1140CJ	02883	1820-1474
DS8820AN	03406	1820-0721	ICL7101CPL	03714	1820-2025	LD1200CJ	02883	1826-0588
DS8822N	03406	1820-1115	ICL7107CPL	03714	1826-0876	LD1211CJ	02883	1826-0587
DS8830N	03406	1820-0720	ICL7109CPL	03714	1826-0746	LD1300CJ	02883	1826-0552
DS8831N	03406	1820-0780	ICL7109CPL	11302	1826-1455	LF11508D	03406	1826-0695
DS8835N	03406	1820-2161	ICL7109IDL	03714	1826-1053	LF13007N	03406	1826-1516
DS8836	03406	1820-2256	ICL7109IDL	03714	1826-1510	LF13201N	03406	1826-0582
DS8838N	03406	1820-1875	ICL741C-LN-TY	03714	1826-0391	LF13201N	03406	1820-1941
DS8839N	03406	1820-1870	ICL7605CJN	03714	1826-0761	LF13202N	03406	1826-0720
DS8859AN	03406	1820-1587	ICL7611BMTY	03714	1826-0765	LF13202N	03406	1820-1986
DS8863N	03406	1820-1740	ICL7613BCTV	03714	1826-0963	LF13331D	03406	1826-0416
DS8867N	03406	1820-2363	ICL7650CFD	03714	1826-1373	LF13331N	03406	1820-1795
DS8871N	03406	1820-2138	ICL76501JA-1	03714	1826-1376	LF13332D	03406	1826-0846
DS8884AN	03406	1820-1738	ICL76501JD	03714	1826-0968	LF13332N	03406	1826-0510
DS8897AN	03406	1820-1739	ICL7660CBA	03714	1826-1350	LF13333D	03406	1826-0417
DS88C20N	03406	1820-2417	ICL7660CPA	03714	1826-0851	LF13333N	03406	1826-0480
DS8921N	03406	1820-4890	ICL7660CPA	03714	1826-0906	LF13508D	03406	1826-0581
DS8922AN	03406	1820-5371	ICL7667CPA	03714	1820-4032	LF13509D	03406	1826-0590
DS8973N	03406	1820-2136	ICL7673CBA	03714	1826-1683	LF13741H	03406	1826-0552
E144C-0200	01876	1820-1003	ICL7673CPA	03714	1826-1526	LF156H	03406	1826-1052
E144D-0200	01876	1820-0714	ICL8001CTZ	03714	1826-0129	LF255H	03406	1826-0458
E144D-0200	01876	1820-1019	ICL8008CTY	03714	1826-0131	LF255N	02037	1826-0801
F10010DC	02237	1820-2093	ICL8038CJD (SELECTED)	03714	1826-1109	LF256H	03406	1826-0371
F10014PC	02237	1820-2359	ICL8052CPD	03714	1826-0446	LF256H, SEL NOISE	03406	1826-0358
F10016DC	02237	1820-1788	ICL8069DCQ	03714	1826-0573	LF257H	03406	1826-0447
F11C06DC	02237	1820-2106	ICL8211CPA	03714	1826-0978	LF298H	03406	1826-0422
F135-0100	01876	1820-1226	ICL8211CTY	03714	1826-0540	LF298H SELECTED	03406	1826-0619
FCM7002PC	02237	1820-2114	ICL8211IPA (SELECTED)	03714	1826-1508	LF311H	03406	1826-0497
FDC9229BTP	01425	1820-4686	ICL8212CPA	03714	1826-0408	LF347BN	03406	1826-0665
GAP-01FP	02180	1826-1641	ICM7207/AIPD	03714	1826-1337	LF351AH	03406	1826-0686
GPD-1003	03291	1813-0315	ICM7209IPA	03714	1813-0150	LF351BH	03406	1826-0908
GPD-321	03291	1826-1147	ICM7217CPIPI	03714	1820-3060	LF351H	03406	1826-0685
GPD-331	03291	1813-0320	ICM7218A	03714	1820-2132	LF351N	03406	1826-0667
GPD-410	03291	1813-0318	ICM7218AIP	11302	1820-4688	LF353AH	03406	1826-0741
GPD-420	03291	1813-0319	ICM7218BIJ	03714	1820-2712	LF353AN	03406	1826-0888
GPD-430	03291	1813-0385	ICM7218BII	11302	1820-5060	LF353BH	03406	1826-0843
GS-R405S	06338	1813-0544	ICM7218EIJL	03714	1820-4503	LF353BN	03406	1826-0734
HA-2005A	03799	1826-0270	ICM7226AIDL	03714	1820-2187	LF353H	03406	1826-0704
HA1-2425-5	03799	1826-0840	ICM7227AIP	03714	1820-2646	LF353N	03406	1826-0712
HA1-2539-5	03799	1826-1691	ICM7227CIP	03714	1820-2647	LF355H	03406	1826-0304
HA1-4605-5	03799	1826-0532	ICM7228BIJ	03714	1820-4983	LF355H	03406	1826-1180
HA1-4741-5 (SELECTED)	03799	1826-0323	ICM75551PA	03714	1820-2466	LF355N	03406	1826-0491
HA1-4905-5	03799	1826-0792	ICM75561PD	03714	1820-3235	LF356AH	03406	1826-0668
HA1-4925-5	03799	1826-0714	IDT49C460AG	10253	1820-5385	LF356BH	03406	1826-0528
HA1-5190-2	03799	1826-1688	IDT7210-100C	10253	1820-4864	LF356BJ	03406	1826-1557
HA1-5195-5	03799	1826-0700	IDT74AHCT245P	10253	1820-4760	LF356BN	03406	1826-0433
HA1-5320-5	03799	1826-1178	IDT74FCT191AP	10253	1820-5396	LF356H	03406	1826-0319
HA2-2065-5	03799	1826-0365	IDT74FCT244AP	10253	1820-5535	LF356H SELECTED	03406	1826-0340
HA2-2515-5	03799	1826-0644	IDT74FCT244P	10253	1820-5226	LF357BN	03406	1826-1085
HA2-2525-5	03799	1826-0482						

JDEC	Mfr.	HP P/N							
LF411ACH	03406	1826-1148	LM306H	03406	1820-0475	LM343H	03406	1826-0634	
LF411ACN	03406	1826-1081	LM307H	03406	1820-0403	LM346J	03406	1826-0719	
LF411CH	03406	1826-1071	LM307J	03406	1826-0989	LM348J	03406	1826-0557	
LF411CN	03406	1826-0961	LM307N	03406	1820-0493	LM348N	03406	1826-0315	
LF411CNA+ (SELECTED)	03406	1826-1726	LM307N SELECTED	03406	1826-0068	LM350K	03406	1826-0631	
LF412ACH	03406	1826-1077	LM308AH	03406	1826-0035	LM350K SELECTED	03406	1826-0724	
LF412ACN	03406	1826-1128	LM308AN	03406	1826-0493	LM350T	03406	1826-1166	
LF412CH	03406	1826-1127	LM308H	03406	1820-0478	LM3524N	03406	1826-1569	
LF412CN	03406	1826-0962	LM308N	03406	1826-0172	LM355-1H	03406	1826-0314	
LF412CN (SELECTED)	03406	1826-0887	LM309H	03406	1820-0429	LM358AH	03406	1826-0592	
LF441CN	03406	1826-1074	LM309H SELECTED	03406	1826-0265	LM358AN	03406	1826-0890	
LF442ACN	03406	1826-1405	LM309K	03406	1820-0430	LM358H	03406	1826-0678	
LF442CN	03406	1826-1075	LM310H	03406	1826-0021	LM358N	03406	1826-0346	
LF444ACN	03406	1826-1302	LM310H SELECTED	03406	1826-0354	LM358N	03406	1826-1473	
LF444CN	03406	1826-1076	LM310J SELECTED	03406	1826-0515	LM358N	03406	1826-1365	
LH-0053CG	03406	1826-0439	LM310J-8	03406	1826-0947	LM35CZ	03406	1826-1640	
LH0002CH	03406	1826-0224	LM310N	03406	1826-0208	LM360J	03406	1826-0638	
LH0002CN	03406	1826-1067	LM311F	03406	1826-0077	LM361H	03406	1826-0272	
LH0021CK	03406	1813-0058	LM311H	03406	1826-0026	LM361N	03406	1826-0210	
LH0022CH	03406	1826-0405	LM311H	03406	1826-1113	LM370N	03406	1826-0245	
LH0024CH	03406	1813-0057	LM311J	02037	1826-1179	LM371H	03406	1826-0104	
LH0033CG	03406	1826-0481	LM311J-8	03406	1826-1221	LM377N	03406	1826-0348	
LH0041CG	03406	1826-1449	LM311M	03406	1826-1594	LM380N	03406	1826-0709	
LH0042CD	03406	1826-0459	LM311N	03406	1826-0065	LM380N-8	03406	1826-0209	
LH0042CH	03406	1813-0041	LM311N	03406	1826-1292	LM381N	03406	1826-0206	
LH0044ACH	03406	1826-0472	LM312H	03406	1826-1012	LM385BZ-1.2	03406	1826-0774	
LH0044CH	03406	1826-0594	LM312J	03406	1826-0201	LM385BZ-2.5	03406	1826-1235	
LH0062CD	03406	1826-0267	LM316AH	03406	1826-0112	LM385BZ-2.5	03406	1826-1251	
LH0062CH	03406	1826-0108	LM317H	03406	1826-0539	LM386N-1	03406	1826-0682	
LH0063CK	03406	1820-4446	LM317HVK	03406	1826-0687	LM386N-4	03406	1826-1729	
LH0070-1H	03406	1826-0316	LM317K	03406	1826-0423	LM388N	03406	1826-1016	
LH0070-1H	03406	1826-0826	LM317K SELECTED	03406	1826-0722	LM3900N	03406	1826-0120	
LH0070-2H	03406	1826-0414	LM317LZ	02037	1826-0772	LM3909N	03406	1826-0419	
LH0071-1H	03406	1826-0388	LM317MP	03406	1826-1152	LM390N	03406	1826-1315	
LH0071-2H	03406	1826-1130	LM317T	03406	1826-0393	LM390N	03406	1826-0390	
LH0075CG	03406	1826-1354	LM317T	03406	1826-0081	LM3914N	03406	1826-0655	
LH0091CD	03406	1826-0499	LM318H	03406	1826-1271	LM392N	03406	1826-1126	
LM103H-2.0	03406	1826-0812	LM318J-8	03406	1826-1739	LM393AFE	02910	1826-1616	
LM104H	03406	1826-0016	LM318M	03406	1826-0207	LM393D	02910	1826-1572	
LM105H	03406	1826-0017	LM318N	03406	1826-1034	LM393JG	01698	1826-1229	
LM109H	03406	1826-0954	LM318N	03406	1826-1551	LM393M	03406	1826-0412	
LM109K	03406	1826-0324	LM319D	02910	1826-1551	LM393M	03406	1826-0320	
LM10BLH	03406	1826-1223	LM319H	03406	1826-0191	LM395K	03406	1826-0886	
LM10CH	03406	1826-0773	LM319J	03406	1826-0141	LM395T	03406	1826-0966	
LM10CN	03406	1826-1004	LM319M	03406	1826-1623	LM396K	03406	1826-0825	
LM110H	03406	1826-1575	LM319N	03406	1826-0175	LM3999Z	10858	1826-1240	
LM113-2H	03406	1826-0329	LM320H-05	03406	1826-0220	LM3999AH (SEL)	03406	1902-0908	
LM117K	03406	1826-0673	LM320H-12	03406	1826-0178	LM399H	03406	1826-0165	
LM11CH	03406	1826-0909	LM320H-15	03406	1826-0192	LM4250CH	03406	1826-0747	
LM11CN	03406	1826-1133	LM320H-5.2	03406	1826-0179	LM4250CN	03406	1826-0355	
LM120K-15	03406	1826-1157	LM320H-6	03406	1826-0568	LM555CN	03406	1826-0373	
LM120K-5.0	03406	1826-0397	LM320K-05	03406	1826-0202	LM555CN	03406	1826-0101	
LM129AH	03406	1826-0802	LM320K-12	03406	1826-0123	LM565CH	03406	1826-1720	
LM13340-1N	03406	1826-0336	LM320K-15	03406	1826-0169	LM675T	03406	1820-0197	
LM135AH	03406	1826-1138	LM320K-5.2	03406	1826-0173	LM709AH	03406	1820-0162	
LM136H	03406	1826-1541	LM320LZ-5.0	03406	1826-1383	LM709H	03406	1826-0711	
LM137K	03406	1826-0763	LM320T-12	03406	1826-0418	LM725AH	03406	1826-0271	
LM138K (STEEL)	03406	1826-0837	LM320T-15	03406	1826-0277	LM741CN	03406	1826-0235	
LM145K-5.2	03406	1826-1026	LM320T-18	03406	1826-0377	LM747D	03406	1826-0135	
LM1558H	03406	1826-0243	LM320T-24	03406	1826-0299	LM78L10ACH	03406	1826-0394	
LM161J	03406	1826-0548	LM320T-8.0	03406	1826-0449	LM78L15ACH	03406	1826-0353	
LM1875	03406	1826-1389	LM321AH SELECTED	03406	1826-0234	LM78M05CP	03406	1826-1299	
LM1877N-9	03406	1826-0863	LM321H	03406	1826-0162	LM7906T	03406	1826-0478	
LM201ADP	10881	1826-1460	LM322N	03406	1826-0225	LM833N	03406	1826-1725	
LM201AH	03406	1826-0059	LM323K	03406	1826-0181	LP2950ACZ	03406	1826-1646	
LM201AH SELECTED	03406	1826-0045	LM324AN	03406	1826-0524	LP311N	03406	1826-1162	
LM201AJ	03406	1826-1491	LM324D	02910	1826-1072	LP339M	03406	1826-1225	
LM201AN	02037	1826-0311	LM324D	01698	1826-1600	LP339N	03406	1826-1289	
LM201H	03406	1820-0104	LM324F	03406	1826-0291	LP365N	03406	1826-1370	
LM207H	03406	1826-0113	LM324N	03406	1826-0161	LT1001ACH	10858	1826-1479	
LM208AH	03406	1826-0025	LM325AS	03406	1826-0238	LT1001CN8 (SELECTED)	10858	1826-1382	
LM208D	03406	1826-0268	LM325H	03406	1826-0457	LT1002CN	10858	1826-1368	
LM208H	03406	1826-0072	LM325S	03406	1826-0283	LT1004CH	10858	1826-1167	
LM210H SELECTED	03406	1826-0097	LM326H	03406	1826-0533	LT1007CH	10858	1826-1433	
LM211H	03406	1826-0098	LM329	03406	1902-0928	LT1007CN8	10858	1826-1316	
LM212H	03406	1826-0110	LM329D (SEL)	03406	1902-1331	LT1007CS	10858	1826-1735	
LM218H	03406	1826-0488	LM329DZ	03406	1826-0585	LT1009CZ	10858	1826-1435	
LM220K-12	03406	1826-0235	LM330T-5.0	03406	1826-0904	LT1011ACH	10858	1826-1539	
LM220K-15	03406	1826-0233	LM333K STEEL	03406	1826-1415	LT1011CN8	10858	1826-1475	
LM220K-5.2	03406	1826-0537	LM334H	03406	1826-1046	LT1012CH	10858	1826-1462	
LM224J	03406	1826-0232	LM334Z	03406	1826-0623	LT1012CN8	10858	1826-1381	
LM236AH	03406	1826-0855	LM335AZ	03406	1826-0760	LT1013ACJ8	10858	1826-1436	
LM236H	03406	1826-0766	LM335Z	03406	1826-0880	LT1013CN8	10858	1826-1409	
LM250K STEEL	03406	1826-0748	LM336BZ	03406	1826-0910	LT1014CN	10858	1826-1590	
LM258AH	03406	1826-0768	LM336BZ-5.0	03406	1826-1297	LT1014DN	10858	1826-1553	
LM258H	03406	1826-0745	LM336Z-5.0	03406	1826-1065	LT1019ACH-5	10858	1826-1712	
LM261H	03406	1826-0762	LM337H	03406	1826-0558	LT1021BCN8-10	10858	1826-1514	
LM271H	03406	1826-0398	LM337HVK-STEEL	03406	1826-0870	LT1021BCN8-5	10858	1826-1706	
LM285BYZ-1.2	03406	1826-1509	LM337K	03406	1826-0523	LT1021CCN8-10	10858	1826-1437	
LM285BYZ-2.5	03406	1826-1464	LM337K (SELECTED)	03406	1826-0690	LT1021CCN8-5	10858	1826-1431	
LM285H-2.5	03406	1826-1288	LM337LZ	03406	1826-0999	LT1021DCN8-10	10858	1826-1369	
LM2900N	03406	1826-0939	LM337LZ	03406	1826-1099	LT1021DCS8-10	10858	1826-1687	
LM2901N	03406	1826-1506	LM337T	03406	1826-0527	LT1022ACH	10858	1826-1690	
LM2904N	03406	1826-0611	LM338K	03406	1826-0677	LT1024CN	10858	1826-1608	
LM2917N	03406	1826-0842	LM339AJ	03406	1826-0306	LT1028CJ8	10858	1826-1728	
LM2930P-5.0TB	03406	1826-1005	LM339AN	03406	1826-0666	LT1031DCH	10858	1826-1429	
LM2930T-5.0	03406	1826-1201	LM339J	03406	1826-0759	LT1032CN	10858	1820-4311	
LM2931AZ-5.0	03406	1826-1397	LM339M	03406	1826-1528	LT1033CN	10858	1826-1585	
LM2931CT	03406	1826-1090	LM339N	03406	1826-0138	LT1037CH	10858	1826-1374	
LM2935T	03406	1826-1586	LM339N SELECTED	01698	1826-1033	LT1037CN8	10858	1826-1317	
LM2935T05B	03406	1826-1750	LM340-12AT	03406	1826-1121	LT1039CN	10858	1820-4887	
LM293P	01698	1826-0479	LM340AK-15	03406	1826-1181	LT1050CN8	10858	1826-1702	
LM2940CT-5.0	03406	1826-1597	LM340AK-5	03406	1826-0536	LT1056CN8	10858	1826-1692	
LM299AH	03406	1826-1239	LM340AT-15	03406	1826-0607	LT1081-CN	10858	1820-5338	
LM299H	03406	1826-0330	LM340AT-5	03406	1826-0551	LT1317AT	10858	1826-1403	
LM300H	03406	1820-0123	LM340K-24	03406	1826-0559	LT318AN8 (SELECTED)	10858	1826-1265	
LM301AH	03406	1820-0223	LM340K-8	03406	1826-0370	LT337AK	10858	1826-1395	
LM301AH, 22V									

JDEC

JDEC	Mfr.	HP P/N						
MAS-0385	03291	1826-1612	MC10179L	02037	1820-0830	MC10H350P	02037	1820-4204
MAX634CPA	11302	1826-1717	MC10179P	02037	1820-2474	MC10H423P	02037	1820-4740
MB1107	06344	1826-1408	MC10179P	02037	1820-0146	MC10H424P	02037	1820-4201
MB506-DIP-8	06344	1820-5276	MC10180P	02037	1820-2481	MC12002P	02037	1826-0598
MB87030	06344	1820-5366	MC10181L	02037	1820-0831	MC12009L	02037	1820-3935
MC1001P	02037	1820-0472	MC10181P	02037	1820-3130	MC12009P	02037	1820-2934
MC1004P	02037	1820-0142	MC10182P	02037	1820-2478	MC12011P	02037	1820-2935
MC1006P	02037	1820-0666	MC10183L	02037	1820-2479	MC12012L	02037	1820-1242
MC1007P	02037	1820-0147	MC10186P	02037	1820-2403	MC12013L	02037	1820-1888
MC10100L	02037	1820-1990	MC10188L	02037	1820-2841	MC12015P	02037	1820-3646
MC10100P	02037	1820-2517	MC10189L	02037	1820-2842	MC12018P	02037	1820-3964
MC10101L	02037	1820-2834	MC10189P	02037	1820-2385	MC12040L	02037	1820-1344
MC10101P	02037	1820-0801	MC10189P	02037	1820-2450	MC12040P	02037	1826-0364
MC10102L	02037	1820-2835	MC1018P	02037	1820-0144	MC1204L	02037	1820-1915
MC10102P	02037	1820-0802	MC10192L	02037	1820-3620	MC12061P	02037	1820-1977
MC10103L	02037	1820-1831	MC10192P	02037	1820-4438	MC12090L	02037	1820-3485
MC10103P	02037	1820-1686	MC10194P	02037	1820-2480	MC1210L	02037	1820-1025
MC10104L	02037	1820-2836	MC10195L	02037	1820-2843	MC1213L	02037	1820-1026
MC10104P	02037	1820-1400	MC10195P	02037	1820-1685	MC1306P	02037	1826-0293
MC10105L	02037	1820-2837	MC10197L	02037	1820-2844	MC1349P	02037	1826-1160
MC10105P	02037	1820-0803	MC10197P	02037	1820-2023	MC1350P	02037	1826-0159
MC10106L	02037	1820-2838	MC10198L	02037	1820-2376	MC1355P	02037	1826-0382
MC10106P	02037	1820-0804	MC1019P	02037	1820-1036	MC1372P	02037	1826-0903
MC10107L	02037	1820-2839	MC1020P	02037	1820-0212	MC1377P	02037	1826-1471
MC10107P	02037	1820-0805	MC10210L	02037	1820-1830	MC14001BCL	02037	1820-2803
MC10109L	02037	1820-2846	MC10210P	02037	1820-2495	MC14001BCP	02037	1820-1745
MC10109P	02037	1820-0806	MC10211L	02037	1820-2845	MC14001BUCP	02037	1820-1409
MC1010P	02037	1820-0145	MC10211P	02037	1820-1482	MC14002BCL	02037	1820-2079
MC10110P	02037	1820-0807	MC10212L	02037	1820-1832	MC14002BUCP	02037	1820-1511
MC10111P	02037	1820-0808	MC10212P	02037	1820-1950	MC14006BCL	02037	1820-2086
MC10113L	02037	1820-1882	MC10216L	02037	1820-1320	MC14007BUCP	02037	1820-1503
MC10113P	02037	1820-2508	MC10216P	02037	1820-1224	MC14008BCL	02037	1820-1525
MC10114P	02037	1820-2324	MC10222P	02037	1820-0272	MC14008BCP	02037	1820-1955
MC10115L	02037	1820-1945	MC10231L	02037	1820-2516	MC14011BCL	02037	1820-2576
MC10115P	02037	1820-0809	MC10231P	02037	1820-1225	MC14011BCP	02037	1820-1747
MC10115P	02037	1820-3666	MC1023P	02037	1820-0157	MC14011BUCP	02037	1820-1500
MC10116FN	02037	1820-4957	MC1024P	02037	1820-0578	MC14012BCL	02037	1820-1960
MC10116L	02037	1820-1308	MC1025P	02037	1820-0444	MC14012BUCP	02037	1820-1507
MC10116P	02037	1820-0810	MC1026P	02037	1820-0252	MC14013BCL	02037	1820-1497
MC10116P	02037	1820-4681	MC1027P	02037	1820-0143	MC14013BCP	02037	1820-1963
MC10117L	02037	1820-1946	MC1030P	02037	1820-0200	MC14014BCL	02037	1820-1514
MC10117P	02037	1820-0811	MC10319L	02037	1826-1731	MC14015BCL	02037	1820-2055
MC10118P	02037	1820-0812	MC1031P	02037	1820-0235	MC14015BCP	02037	1820-1176
MC10119P	02037	1820-0813	MC1032P	02037	1820-0581	MC14015BUCP	02037	1820-1502
MC1011P	02037	1820-0582	MC1033P	02037	1820-0276	MC14015BUCP	02037	1820-2008
MC10121L	02037	1820-2840	MC1034P	02037	1820-0101	MC14016BCL	02037	1820-1504
MC10121P	02037	1820-0815	MC1035P	02037	1820-0253	MC14016BCP	02037	1820-1958
MC10123P	02037	1820-2399	MC1039P	02037	1820-0275	MC14017BCL	02037	1820-2805
MC10124FN	02037	1820-4958	MC1040P	02037	1820-0667	MC14017BCP	02037	1820-1508
MC10124L	02037	1820-1173	MC1043P	02037	1820-0792	MC14018BCL	02037	1820-2084
MC10124P	02037	1820-3124	MC1047P	02037	1820-0897	MC14020BCP	02037	1820-1494
MC10125FN	02037	1820-4959	MC1048P	02037	1820-0473	MC14021BCL	02037	1820-2031
MC10125L	02037	1820-1052	MC1062P	02037	1820-0916	MC14022BCL	02037	1820-2277
MC10125P	02037	1820-3125	MC1065P	02037	1820-0917	MC14022BCL	02037	1820-1527
MC10128L	02037	1820-2400	MC1068P	02037	1820-0791	MC14023BCL	02037	1820-1961
MC10129L	02037	1820-2482	MC10804L	02037	1820-2409	MC14023BUCP	02037	1820-1509
MC10130L	02037	1820-1944	MC10807L	02037	1820-4200	MC14024BCL	02037	1820-1506
MC10130P	02037	1820-0816	MC10H016L	02037	1820-3102	MC14025BCL	02037	1820-2804
MC10131FN	02037	1820-4967	MC10H016P	02037	1820-4159	MC14025BCL	02037	1820-1965
MC10131P	02037	1820-0817	MC10H100P	02037	1820-3686	MC14025BUCP	02037	1820-1498
MC10132P	02037	1820-2476	MC10H101P	02037	1820-2891	MC14027BCL	02037	1820-1496
MC10133L	02037	1820-0818	MC10H102P	02037	1820-2823	MC14027BCL	02037	1820-1964
MC10133P	02037	1820-2475	MC10H103P	02037	1820-2962	MC14028BCL	02037	1820-1526
MC10134L	02037	1820-0819	MC10H104P	02037	1820-3337	MC14028BCP	02037	1820-1512
MC10135L	02037	1820-0820	MC10H105P	02037	1820-2822	MC14028BCP	02037	1820-1962
MC10135P	02037	1820-4080	MC10H106P	02037	1820-3918	MC14032BCL	02037	1820-2223
MC10136FN	02037	1820-4960	MC10H107P	02037	1820-2956	MC14034BCL	02037	1820-2232
MC10136L	02037	1820-0821	MC10H109P	02037	1820-2900	MC14035BCL	02037	1820-2080
MC10136P	02037	1820-3126	MC10H113P	02037	1820-3701	MC14038BCP	02037	1820-2224
MC10137L	02037	1820-0822	MC10H115P	02037	1820-3461	MC1403AU	02037	1826-1154
MC10138L	02037	1820-1383	MC10H116L	02037	1820-3075	MC1403AU (SEL)	02037	1826-1285
MC1013P	02037	1820-0102	MC10H116P	02037	1820-2848	MC1403P1	02037	1826-0467
MC10144L	02037	1820-0825	MC10H117P	02037	1820-3338	MC14040BCL	02037	1820-2054
MC10144P	02037	1820-3127	MC10H119P	02037	1820-3339	MC14040BCP	02037	1820-1495
MC1014P	02037	1820-0213	MC10H121P	02037	1820-3340	MC14042BCL	02037	1820-1501
MC10153L	02037	1820-2507	MC10H123P	02037	1820-4197	MC14042BCL	02037	1820-1912
MC10153P	02037	1820-2847	MC10H124L	02037	1820-3521	MC14042BCL	02037	1820-1956
MC10158L	02037	1820-1993	MC10H124P	02037	1820-4081	MC14043BCL	02037	1820-2124
MC10158P	02037	1820-3128	MC10H125FN	02037	1820-5390	MC14044BCL	02037	1820-2228
MC10159L	02037	1820-2347	MC10H125L	02037	1820-3522	MC14046BAL	02037	1826-1194
MC10159P	02037	1820-2821	MC10H125P	02037	1820-4079	MC14046BCL	02037	1826-0470
MC1015P	02037	1820-0180	MC10H130P	02037	1820-2860	MC14046BCP	02037	1826-0912
MC10160L	02037	1820-0826	MC10H131P	02037	1820-3076	MC14049BCL	02037	1820-1505
MC10160P	02037	1820-4132	MC10H131P	02037	1820-2849	MC14049BUCP	02037	1820-1746
MC10161L	02037	1820-2504	MC10H135P	02037	1820-4202	MC1404U5	02037	1826-0718
MC10161P	02037	1820-0827	MC10H136L	02037	1820-3295	MC1404U6	02037	1826-1069
MC10162L	02037	1820-2067	MC10H136P	02037	1820-4203	MC14050BCL	02037	1820-1521
MC10162P	02037	1820-0828	MC10H141P	02037	1820-3579	MC14050BCP	02037	1820-1976
MC10163L	02037	1820-2503	MC10H158P	02037	1820-2959	MC14051BCL	02037	1826-1607
MC10163P	02037	1820-2421	MC10H159P	02037	1820-3700	MC14051BCL	02037	1820-1547
MC10164L	02037	1820-0829	MC10H160P	02037	1820-4198	MC14051BCP	02037	1820-3719
MC10164P	02037	1820-3129	MC10H161P	02037	1820-3580	MC14051BCP	02037	1820-2013
MC10165L	02037	1820-2502	MC10H162P	02037	1820-3578	MC14052BCL	02037	1820-1546
MC10165P	02037	1820-2449	MC10H164L	02037	1820-3446	MC14052BCL SELECTED	02037	1820-3866
MC10166L	02037	1820-2323	MC10H164P	02037	1820-2875	MC14052BCL	02037	1826-0486
MC10166P	02037	1820-2381	MC10H166P	02037	1820-4206	MC14053BCL	02037	1826-0501
MC10168P	02037	1820-2451	MC10H173P	02037	1820-4319	MC1405L	02037	1826-0642
MC1016P	02037	1820-0440	MC10H174L	02037	1820-3342	MC14066BCL	02037	1826-0502
MC10170L	02037	1820-2501	MC10H174P	02037	1820-3831	MC14068BCL	02037	1820-1931
MC10170P	02037	1820-2477	MC10H175P	02037	1820-3576	MC14069BCL	02037	1820-1592
MC10171L	02037	1820-2500	MC10H176L	02037	1820-3296	MC14069BUCP	02037	1820-2014
MC10171P	02037	1820-2420	MC10H176P	02037	1820-3699	MC1406L	02037	1826-0155
MC10172L	02037	1820-2499	MC10H179P	02037	1820-4322	MC14070BCL	02037	1820-1908
MC10172P	02037	1820-2455	MC10H180P	02037	1820-4321	MC14070BCP	02037	1820-2015
MC10173L	02037	1820-2498	MC10H181P	02037	1820-4320	MC14071BCL	02037	1820-1970
MC10173P	02037	1820-2401	MC10H186P	02037	1820-3577	MC14071CP	02037	1820-1388
MC10174L	02037	1820-2497	MC10H188P	02037	1820-3702	MC14073BCL	02037	1820-1910
MC10174P	02037	1820-1359	MC10H189P	02037	1820-			

JDEC	Mfr.	HP P/N						
MC1408L-8	02037	1826-0188	MC1468R	02037	1826-0140	MC3468P	02037	1826-0475
MC14093BCL	02037	1820-1936	MC1469G	02037	1826-0006	MC3470P	02037	1826-0945
MC1414P	02037	1826-0051	MC1469R	02037	1826-0024	MC3476G	02037	1826-0289
MC14174BCP	02037	1820-2258	MC1488L	02037	1820-0509	MC3486P	02037	1820-2144
MC14175BCP	02037	1820-2279	MC1488P	02037	1820-3322	MC3487P	02037	1820-2145
MC14194BCP	02037	1820-3587	MC1489AL	02037	1820-0990	MC352G	02037	1820-0013
MC1420G	02037	1826-0200	MC1489AP	02037	1820-3321	MC4001P	02037	1820-0639
MC1431P	02037	1820-0160	MC1489L	02037	1820-0510	MC4002P	02037	1820-0843
MC1433G	02037	1820-0316	MC1494L	02037	1826-0036	MC4006P	02037	1820-0608
MC1433L	02037	1820-0181	MC1495L	02037	1826-0437	MC4007P	02037	1820-0724
MC1433P	02037	1820-0317	MC1496D	02037	1826-1621	MC4008P	02037	1820-0842
MC1436CG	02037	1826-0343	MC1496G	02037	1820-0427	MC4010P	02037	1820-0836
MC1436G	02037	1826-0038	MC1496L	02037	1826-0023	MC4012P	02037	1820-0607
MC1436U	02037	1826-1171	MC1496N	02910	1826-1095	MC4015P	02037	1820-0437
MC1437L	02037	1826-0019	MC1505L	02037	1826-1059	MC4016P	02037	1820-1183
MC1438R	02037	1826-0060	MC1510G	02037	1826-0002	MC4018P	02037	1820-1332
MC1439G	02037	1820-0201	MC1514G	02037	1826-0125	MC4022P	02037	1820-1109
MC1439L	02037	1826-0022	MC1531G	02037	1820-0050	MC4024P	02037	1820-0567
MC14410P	02037	1820-3487	MC1550G	02037	1826-0028	MC4038P	02037	1820-0834
MC14411P	02037	1820-1779	MC1590G	02037	1826-0037	MC4044P	02037	1820-0630
MC14412VP	02037	1820-2166	MC1595L	02037	1826-0014	MC426P	02037	1820-0844
MC14433L	02037	1826-0431	MC1648L	02037	1820-1119	MC660P	02037	1820-1520
MC14447P	02037	1826-0884	MC1648R	02037	1820-1108	MC662P	02037	1820-0288
MC1445G	02037	1826-0103	MC1650L	02037	1820-0919	MC663P	02037	1820-1519
MC1445L	02037	1826-0334	MC1658P	02037	1826-0509	MC666P	02037	1820-0625
MC14490DW	02037	1820-5213	MC1660L	02037	1820-0790	MC667P	02037	1820-1606
MC14490FP	02037	1820-1947	MC1662L	02037	1820-0796	MC668P	02037	1820-1605
MC14490P	02037	1820-2306	MC1664L	02037	1820-0795	MC670P	02037	1820-2133
MC145000BCP	02037	1820-3360	MC1670	02037	1820-2429	MC672P	02037	1820-0287
MC145010BCP	02037	1820-1079	MC1670L	02037	1820-0794	MC6875L	02037	1820-2036
MC14502BAL	02037	1820-1635	MC1672L	02037	1820-0797	MC6881P/MC3449P	02037	1820-2165
MC14502BCP	02037	1820-1385	MC1674L	02037	1820-0793	MC7250P	02037	1820-0786
MC14503BCP	02037	1820-2257	MC1678L	02037	1820-2664	MC7270P	02037	1820-0984
MC14504BCP	02037	1820-2326	MC1690L	02037	1820-1132	MC7404F	02037	1820-1004
MC14506BCP	02037	1820-1386	MC1692L	02037	1820-0920	MC7479P	02037	1820-0908
MC14507CP	02037	1820-1330	MC1694L	02037	1820-1334	MC74HC00N	02037	1820-2922
MC14508BCL	02037	1820-1693	MC1697P	02037	1820-1852	MC74HC02N	02037	1820-2924
MC14508BCP	02037	1820-1959	MC1723L	02037	1826-0409	MC74HC03N	02037	1820-3183
MC14510BCP	02037	1820-1189	MC1733G	02037	1826-1175	MC74HC107N	02037	1820-5291
MC14511BCP	02037	1820-1413	MC1741NCP1	02037	1826-0505	MC74HC109N	02037	1820-3172
MC14511BCP	02037	1820-1957	MC1741SCG	02037	1826-0302	MC74HC10N	02037	1820-2923
MC14512BCP	02037	1820-1241	MC1741SCP1	02037	1826-0254	MC74HC126N	02037	1820-4458
MC14513BCL	02037	1820-2716	MC1741SU	02037	1826-0743	MC74HC132D	02037	1820-4965
MC14513BCP	02037	1820-2462	MC1776CD	02037	1826-1212	MC74HC132N	02037	1820-3174
MC145145P	02037	1820-2897	MC1800P	02037	1820-0985	MC74HC137N	02037	1820-4084
MC145146P	02037	1820-3405	MC1801P	02037	1820-0441	MC74HC138N	02037	1820-3079
MC14514BCP	02037	1820-1683	MC1805P	02037	1820-0454	MC74HC157N	02037	1820-3177
MC145151P	02037	1820-2879	MC1806P	02037	1820-0273	MC74HC158N	02037	1820-3178
MC145152P	02037	1820-2880	MC1808P	02037	1820-0274	MC74HC160N	02037	1820-3179
MC14515BCP	02037	1820-1329	MC1809P	02037	1820-1137	MC74HC161N	02037	1820-2925
MC14516BCL	02037	1820-1899	MC1810P	02037	1820-0238	MC74HC162N	02037	1820-4055
MC14516BCP	02037	1820-1114	MC1812P	02037	1820-0418	MC74HC163N	02037	1820-3785
MC14517BCP	02037	1820-1815	MC1814P	02037	1820-0665	MC74HC165N	02037	1820-3181
MC14518BCL	02037	1820-1591	MC2257L	02037	1820-1156	MC74HC173N	02037	1820-3182
MC14518BCP	02037	1820-1122	MC2259L	02037	1820-1157	MC74HC174J	02037	1820-3564
MC14519BCP	02037	1820-1387	MC3001P	02037	1820-0141	MC74HC175N	02037	1820-3146
MC14520BCL	02037	1820-1900	MC3002P	02037	1820-0239	MC74HC194N	02037	1820-3186
MC14520BCP	02037	1820-1150	MC3003P	02037	1820-0205	MC74HC195N	02037	1820-3187
MC14520BCP	02037	1820-2021	MC3006P	02037	1820-0204	MC74HC20N	02037	1820-3080
MC14521BCP	02037	1820-2702	MC3007P	02037	1820-1031	MC74HC240N	02037	1820-3299
MC14522BAL	02037	1820-1181	MC3022P	02037	1820-0617	MC74HC241N	02037	1820-3374
MC14522BCP	02037	1820-1175	MC3025P	02037	1820-0604	MC74HC242N	02037	1820-3188
MC14526BCP	02037	1820-1328	MC3026P	02037	1820-0140	MC74HC243N	02037	1820-3189
MC14527BCP	02037	1820-1265	MC3029P	02037	1820-0700	MC74HC244N	02037	1820-3297
MC14528BCL	02037	1820-2051	MC3060P	02037	1820-0449	MC74HC253N	02037	1820-3672
MC14528BCP	02037	1820-1356	MC3061P	02037	1820-0609	MC74HC257N	02037	1820-3191
MC14530BCP	02037	1820-1327	MC3062P	02037	1820-0451	MC74HC266N	02037	1820-3192
MC14532BCL	02037	1820-1570	MC3103L	02037	1820-1375	MC74HC273N	02037	1820-3399
MC14532BCP	02037	1820-1355	MC3242AP	02037	1820-2742	MC74HC280N	02037	1820-3193
MC14534BCP	02037	1820-1855	MC3302P SELECTED	02037	1820-2174	MC74HC299N	02037	1820-3546
MC14536BCP	02037	1826-0411	MC3340P	02037	1826-0399	MC74HC356N	02037	1820-4608
MC14538BCL	02037	1820-1569	MC3359P	02037	1826-1073	MC74HC373N	02037	1820-2998
MC14538BCP	02037	1820-1932	MC34001BU	02037	1826-0915	MC74HC374J	02037	1820-3565
MC14538BDW	02037	1820-5418	MC34002BU	02037	1826-0785	MC74HC374N	02037	1820-3082
MC14539BCL	02037	1820-1549	MC34002BL	02037	1826-1513	MC74HC4002N	02037	1820-3196
MC14539BCP	02037	1820-1471	MC34004BU	02037	1826-0753	MC74HC4017N	02037	1820-3683
MC145406ACP	02037	1820-4666	MC3403P	02037	1826-0312	MC74HC4020N	02037	1820-3197
MC145406DW	02037	1820-5274	MC34050P	02037	1820-4600	MC74HC4024N	02037	1820-3198
MC14541BCP	02037	1820-1658	MC3405P	02037	1826-0424	MC74HC4040N	02037	1820-3199
MC14543BCP	02037	1820-2097	MC34060P	02037	1826-1208	MC74HC4052N	02037	1820-4574
MC145440P SELECTED	02037	1820-3721	MC340623U	02037	1826-1255	MC74HC4060N	02037	1820-3200
MC14549BCP	02037	1820-1721	MC34063P	02037	1826-1256	MC74HC4075N	02037	1820-3201
MC14553BCP	02037	1820-1479	MC34072AU	02037	1826-1543	MC74HC4078N	02037	1820-4232
MC14555BCP	02037	1820-2050	MC34072P	02037	1826-1533	MC74HC407N	02037	1820-3169
MC14556BCP	02037	1820-1412	MC34074AL	02037	1826-1222	MC74HC4351N	02037	1820-4705
MC14557BCP	02037	1820-2344	MC34074P	02037	1826-1534	MC74HC4511N	02037	1820-4056
MC14558BCP	02037	1820-1573	MC34081AP	02037	1826-1581	MC74HC4514N	02037	1820-3202
MC14559BCP	02037	1820-1722	MC34081P	02037	1826-1544	MC74HC4538N	02037	1820-3203
MC14560BCP	02037	1820-1850	MC34082AP	02037	1826-1582	MC74HC4543N	02037	1820-4437
MC14561BCP	02037	1820-2033	MC34084AP	02037	1826-1652	MC74HC511N	02037	1820-3396
MC14562BCP	02037	1820-2444	MC34084P	02037	1826-1422	MC74HC533N	02037	1820-3194
MC14566BCP	02037	1820-1588	MC3410CL	02037	1826-0462	MC74HC534N	02037	1820-3195
MC14568BCP	02037	1826-0599	MC3410CP	02037	1826-0529	MC74HC550N	02037	1820-4569
MC14569BCL	02037	1820-2571	MC3420P	02037	1826-0526	MC74HC58N	02037	1820-3788
MC14569BCP	02037	1820-2383	MC3423P1	02037	1826-0468	MC74HC595N	02037	1820-3344
MC1456CG	02037	1826-0003	MC3425P1	02037	1826-1485	MC74HC597N	02037	1820-4355
MC1456G	02037	1826-0071	MC3431P	02037	1826-0360	MC74HC74D	02037	1820-4066
MC14572UBCP	02037	1820-1657	MC3440AP	02037	1820-1522	MC74HC74N	02037	1820-3081
MC14581BCP	02037	1820-1666	MC3441AP	02037	1820-1558	MC74HC85N	02037	1820-3171
MC14582BCP	02037	1820-1659	MC3442P	02037	1820-1842	MC74HC86N	02037	1820-3007
MC14583BCP	02037	1820-1389	MC3443AP	02037	1820-1687	MC74HC8740N	02037	1820-4586
MC14584BCP	02037	1820-2019	MC3446AP	02037	1820-1689	MC74HC8740N	02037	1820-4587
MC14585BCP	02037	1820-1340	MC3446G	01698	1820-3329	MC75462P	02037	1820-2208
MC1458CP1	02037	1826-0142	MC3446N	01698	1820-5059	MC7805CK	02037	1826-0246
MC1458G	02037	1826-0111	MC3447P	02037	1820-2424	MC7805CT	02037	1826-0144
MC1458NG	02037	1826-0556	MC3447P3	02037	1820-2461	MC7806CT	02037	1826-0145
MC1458P1	02037	1826-0139	MC3448AD	02037	1820-4892	MC7808CT	02037	1826-0146
MC1458SG	02037	1826-0866	MC3448AL	02037	1826-2058	MC7808CT	02037	1826-1387
MC1458SP1	02037	1826-0420	MC3450P	02037	1820-2157	MC78		

JDEC	Mfr.	HP P/N						
MCT78L24CP	02037	1826-1499	MM74C173N	03406	1820-1190	MM88C29N	03406	1820-2217
MCT78M05CMT	02037	1826-1734	MM74C174N	03406	1820-1466	MM88C30N	03406	1820-2218
MCT78M05CG	02037	1826-0367	MM74C175N	03406	1820-1562	MMH0026CL	02037	1820-1288
MCT78M12CMT	02037	1826-1736	MM74C192N	03406	1820-1575	MMH0026L	02037	1820-1170
MCT78M15CMT	02037	1826-0464	MM74C193N	03406	1820-1561	MN376	00046	1813-0501
MCT7902CT	02037	1826-0688	MM74C202N	03406	1820-1626	MNDAC71CSB-I	06861	1813-0132
MCT7905_2CT	02037	1826-0215	MM74C221J	03406	1820-1612	MOH3326	08507	1826-1295
MCT7905CT	02037	1826-0294	MM74C221N	03406	1820-1485	MP260	03688	1826-1573
MCT7908CT	02037	1826-0344	MM74C240N	03406	1820-2538	MP7507JN	07050	1826-1307
MCT7912CT	02037	1826-0221	MM74C240N	03406	1820-2566	MP7533QN	07050	1826-1525
MCT7915CT	02037	1826-0214	MM74C244N	03406	1820-2537	MP7683KXN	07050	1826-1417
MCT79L03ACP	02037	1826-1293	MM74C303N	03406	1820-1674	MP7684KD	07050	1826-1672
MCT79L03C	02037	1826-0286	MM74C32N	03406	1820-2213	MPC2014	02037	1826-1713
MCT79L05ACG	02037	1826-0496	MM74C373N	03406	1820-2215	MPT016KJ1C	04507	1820-4679
MCT79L05ACP	02037	1826-0285	MM74C374N	03406	1820-2216	MSA-0185	03291	1826-1722
MCT79L05CP	02037	1826-1281	MM74C42N	03406	1820-1735	MSA-0370-21	03291	1826-1321
MCT79L06C	02037	1826-0284	MM74C473N	03406	1820-2605	MSA-0420	03291	1826-1322
MCT79L12ACG	02037	1826-0495	MM74C474J	03406	1820-1933	MSA-0435	03291	1826-1323
MCT79L12ACP	02037	1826-0282	MM74C474N	03406	1820-1753	MSA-0485	03291	1826-1613
MCT79L15ACP	02037	1826-0281	MM74C476N	03406	1820-2606	MSA-0785	03291	1826-1724
MCT79M05CMT	02037	1826-1738	MM74C83J	03406	1820-1937	MSA-0885	03291	1826-1723
MCT79M12CMT	02037	1826-1737	MM74C83N	03406	1820-2343	MT8860XE	09161	1826-0824
MC815P	02037	1820-0325	MM74C85N	03406	1820-1806	MT8865XC	09161	1826-0823
MC816P	02037	1820-0106	MM74C85N	03406	1820-2276	MT8870BC	09161	1820-3490
MC817P	02037	1820-0411	MM74C86N	03406	1820-1651	MUX-08FP	02180	1826-1028
MC824P	02037	1820-0324	MM74C901N	03406	1820-1652	MUX-08PQ	02180	1826-0609
MC8309P	02037	1820-0610	MM74C902N	03406	1820-1653	MUX-16-FT	02180	1826-1177
MC8312P	02037	1820-0615	MM74C904N	03406	1820-1654	MUX-16ET	02180	1826-0998
MC832P	02037	1820-0096	MM74C905N	03406	1820-1935	MUX-24FP	02180	1826-1173
MC835P	02037	1820-0479	MM74C906M	03406	1820-5419	MUX-24PQ	02180	1826-0610
MC838P	02037	1820-0533	MM74C906N	03406	1820-1655	MUX-88PQ	02180	1826-0849
MC839P	02037	1820-0260	MM74C907N	03406	1820-1656	MWA0204	02037	1826-1614
MC840P	02037	1820-0259	MM74C909N	03406	1820-2275	MWA110	02037	1813-0211
MC846P	02037	1820-0094	MM74C914N	03406	1820-1778	MWA120	02037	1813-0212
MC848P	02037	1820-0095	MM74C922N	03406	1820-2156	MWA130	02037	1813-0213
MC8500P	02037	1820-2297	MM74C923N	03406	1820-2309	MWA210	02037	1813-0214
MC8502P	02037	1820-2296	MM74C925N	03406	1820-2540	MWA220	02037	1813-0215
MC850P	02037	1820-0087	MM74C941N	03406	1820-2630	MWA230	02037	1813-0216
MC851P	02037	1820-0088	MM74HC04N	03406	1820-2921	MWA310	02037	1813-0217
MC852P	02037	1820-0258	MM74HC08N	03406	1820-3097	MWA320	02037	1813-0218
MC853P	02037	1820-0122	MM74HC112N	03406	1820-3173	MWA330	02037	1813-0219
MC857P	02037	1820-0257	MM74HC113N	03406	1820-3795	N7405F	02910	1820-2179
MC858P	02037	1820-0256	MM74HC11N	03406	1820-3184	N8162N	02910	1820-0457
MC8602L	02037	1820-1524	MM74HC123AM	03406	1820-5054	N8200N	02910	1820-1337
MC889P	02037	1820-0323	MM74HC123AN	03406	1820-3673	N8202N	02910	1820-0508
MCC1456	02037	1826-0048	MM74HC125N	03406	1820-3674	N8233N	02910	1820-0543
MCC1741	02037	1826-0042	MM74HC133N	03406	1820-3670	N8234N	02910	1820-0542
MD74HC1373RC	09161	1820-3147	MM74HC139N	03406	1820-3014	N8235N	02910	1820-0575
MD74HC244AC	09161	1820-2796	MM74HC147N	03406	1820-3175	N8243N	02910	1820-0569
MD74HC244AC	09161	1820-2943	MM74HC14N	03406	1820-3185	N8251N	02910	1820-0462
MD74HC245AC	09161	1820-2866	MM74HC151N	03406	1820-3176	N8263N	02910	1820-0507
MDMS-1101	08565	1813-0165	MM74HC153N	03406	1820-3350	N8266N	02910	1820-0506
MDPQM-TTL-35	07397	1813-0321	MM74HC154N	03406	1820-3136	N8267N	02910	1820-0835
MF10ACN	03406	1826-1580	MM74HC164N	03406	1820-3180	N8271N	02910	1820-0989
MF10CCM	03406	1826-1666	MM74HC173M	03406	1820-5395	N8273N	02910	1820-1045
MF10CN	03406	1826-1250	MM74HC174N	03406	1820-3058	N8280N	02910	1820-0322
MFC4000B	02037	1826-0198	MM74HC191N	03406	1820-3794	N8281N	02910	1820-0400
MFC6070	02037	1826-0259	MM74HC192N	03406	1820-3204	N8284N	02910	1820-0536
MH0007CH	03406	1820-0832	MM74HC193N	03406	1820-3205	N8288N	02910	1820-0455
MHW592	02037	1813-0138	MM74HC221AN	03406	1820-3373	N8290N	02910	1820-0450
MJ2841DP	01590	1820-3410	MM74HC237N	03406	1820-3676	N8291N	02910	1820-0492
MK4501N-15	04078	1820-4085	MM74HC245N	03406	1820-3330	N8292N	02910	1820-0703
MK5007P	04078	1820-1239	MM74HC251N	03406	1820-3190	N8293N	02910	1820-0789
MK5009N	04078	1820-1123	MM74HC259N	03406	1820-3206	N82S31N	02910	1820-1980
MK5009P	04078	1820-2322	MM74HC27N	03406	1820-3098	N82S33N	02910	1820-1249
MK50399N	04078	1820-2310	MM74HC283N	03406	1820-4392	N82S42N	02910	1820-1073
MK5089N	04078	1820-3619	MM74HC298N	03406	1820-4148	N82S50N	02910	1820-1338
MK6036P	04078	1820-0993	MM74HC30N	03406	1820-3675	N82S62N	02910	1820-1140
MLMC101A	02037	1826-0567	MM74HC32N	03406	1820-3298	N82S83N	02910	1820-1467
MM4503CD	03406	1820-1357	MM74HC365N	03406	1820-3933	N82S83N	02910	1820-1777
MM5006H	03406	1820-0770	MM74HC366N	03406	1820-3677	N82S90N	02910	1820-1155
MM5013N	03406	1820-1165	MM74HC367N	03406	1820-3792	N8440N	02910	1820-0459
MM5035P	03406	1820-2416	MM74HC368N	03406	1820-3791	N8480N	02910	1820-0460
MM5040H	03406	1820-1236	MM74HC3734M	03406	1820-4895	N8815N	02910	1820-0837
MM5050AH	03406	1820-1237	MM74HC390N	03406	1820-3207	N8816N	02910	1820-0458
MM5052	03406	1820-0717	MM74HC393N	03406	1820-3208	N8825N	02910	1820-0466
MM5057N	03406	1820-1162	MM74HC4046N	03406	1826-1372	N8826N	02910	1820-0208
MM507	03406	1820-0410	MM74HC4049N	03406	1820-4027	N8855N	02910	1820-0456
MM5307ABN	03406	1820-2001	MM74HC4050N	03406	1820-3678	N8875N	02910	1820-0637
MM5307N	03406	1820-1348	MM74HC4051N	03406	1820-5069	N8880N	02910	1820-0461
MM5312N	03406	1820-1756	MM74HC4053N	03406	1820-3692	N8881N	02910	1820-0467
MM5313N (75-)	03406	1820-1364	MM74HC4066N	03406	1820-3693	N8885N	02910	1820-0923
MM5313N (76+)	03406	1820-2126	MM74HC423AN	03406	1820-4590	N8H70N	02910	1820-0463
MM5315N	03406	1820-2040	MM74HC4316N	03406	1820-4706	N8H80N	02910	1820-0465
MM5369AA/N	03406	1820-2246	MM74HC541N	03406	1820-3975	N8H90N	02910	1820-0464
MM5371N	03406	1820-1755	MM74HC564N	03406	1820-3781	N8T09N	02910	1820-1084
MM5437N	03406	1826-1404	MM74HC573N	03406	1820-3790	N8T09N	02910	1820-1360
MM5450N	03406	1820-5339	MM74HC574N	03406	1820-3789	N8T13N	02910	1820-1080
MM5484N	03406	1820-4844	MM74HC640N	03406	1820-3787	N8T14N	02910	1820-1289
MM550H	03406	1826-0156	MM74HC688N	03406	1820-3209	N8T20N	02910	1820-1048
MM58242N	03406	1820-5286	MM74HC75N	03406	1820-3170	N8T23N	02910	1820-1007
MM58248N	03406	1820-5287	MM74HC76N	03406	1820-3463	N8T24N	02910	1820-1030
MM58274N	03406	1820-3834	MM74HC700N	03406	1820-3664	N8T28N	02910	1820-1828
MM58274V	03406	1820-5024	MM74HC704N	03406	1820-3629	N8T37N	02910	1820-1817
MM5837N	03406	1820-2721	MM74HC705N	03406	1820-4601	N8T75N	02910	1820-1979
MM5873	02023	1820-1849	MM74HC715N	03406	1820-4947	N8T80N	02910	1820-0195
MM74C097J	03406	1820-2783	MM74HC712N	03406	1820-3847	N8T90N	02910	1820-0121
MM74C00J	03406	1820-2038	MM74HC7138N	03406	1820-3796	N8T93N	02910	1820-1924
MM74C00N	03406	1820-2210	MM74HC7157N	03406	1820-4196	N8T95N	02910	1820-1477
MM74C02N	03406	1820-1627	MM74HC7240N	03406	1820-3630	N8T96N	02910	1820-1476
MM74C04N	03406	1820-2211	MM74HC7241N	03406	1820-3626	N8T97N	02910	1820-1884
MM74C08N	03406	1820-1603	MM74HC7244N	03406	1820-3456	N8X60N	02910	1820-3931
MM74C107N	03406	1820-1576	MM74HC7245N	03406	1820-3665	NCR 8310	03947	1820-5245
MM74C10N	03406	1820-2212	MM74HC7373N	03406	1820-3849	NCR5380-44PLCC	03947	1820-5403
MM74C14J	03406	1820-1590	MM74HC7374N	03406	1820-3848	NE5018F	02910	1826-0798
MM74C14N	03406	1820-1563	MM74HC7540M	03406	1820-5273	NE5018A	02910	1826-1055
MM74C151N	03406	1820-2065	MM74HC7573N	03406	1820-4147	NE501A	02910	1826-0058
MM74C154N	03406	1820-1827	MM74HC7688N	03406	1820-3631	NE5020F	02910	1826-0972
MM74C157N	03406	1820-1365	MM74HC780N	03406	1820-3008	NE5020N	02910	1826-1105
MM74C160N	03406	1820-1390	MM80C95N	03406	1820-1402	NE5037	02910	18

JDEC	Mfr.	HP P/N							
NE522N	02910	1826-0256							
NE526A	02910	1826-0115	PAL10L8A2VC UNPRGMD	03406	1820-5402		RC4153DC	02290	1826-0922
NE527H	02910	1826-0454	PAL10L8CJ UNPRGMD	04092	1820-2780		RC4156DB	02290	1826-1116
NE527N	02910	1826-0755	PAL10L8NC UNPRGMD	03406	1820-3568		RC4193NB	02290	1826-1355
NE529A	02910	1826-0244	PAL12H6CJ UNPRGMD	04092	1820-2671		RC4195TK	02290	1826-1096
NE529H	02910	1826-0124	PAL12H6NC UNPRGMD	03406	1820-3570		RC4200ADE	02290	1826-1684
NE531H	02910	1826-0067	PAL12L10CN UNPRGMD	04092	1820-2996		RC45558H	02290	1826-0217
NE538FE	02910	1826-0803	PAL12L6-2CJ UNPRGMD	04092	1820-4393		RC4558NB	02290	1826-0326
NE538N3	02910	1826-0936	PAL12L6CJ UNPRGMD	04092	1820-2574		REF-01CP	02180	1826-0708
NE550L	02910	1826-0130	PAL12L6NC UNPRGMD	03406	1820-3597		REF-01EJ	02180	1826-0925
NE550N	02910	1826-0137	PAL14H4CJ UNPRGMD	04092	1820-2573		REF-01EZ	02180	1826-1493
NE553ZAFE	02910	1826-0716	PAL14H4NC UNPRGMD	03406	1820-3566		REF-01HJ	02180	1826-0853
NE553ZAT	02910	1826-0633	PAL14L4CJ UNPRGMD	04092	1820-2678		REF-01HZ	02180	1826-1441
NE553ZP	01698	1826-1328	PAL14L4CN UNPRGMD	04092	1820-5417		REF-02CP	02180	1826-1037
NE553ZAF	02910	1826-0889	PAL14L8CN UNPRGMD	04092	1820-3387		REF-02EZ	02180	1826-1320
NE553ZAN	02910	1826-1319	PAL16C1-2CJ UNPRGMD	04092	1820-3292		REF-02HJ	02180	1826-0622
NE553ZAD	02910	1826-1546	PAL16C1CJ UNPRGMD	04092	1820-2782		REF-02HP	02180	1826-0847
NE553ZAFE	02910	1826-0783	PAL16C1NC UNPRGMD	03406	1820-3596		REF10JM	05436	1826-1476
NE553ZAN	02910	1826-0715	PAL16H2CJ UNPRGMD	04092	1820-2679		RGB DAC4TD	03780	1826-1377
NE553ZAT	02910	1826-0569	PAL16H2NC UNPRGMD	03406	1820-3567		RGBDAC3404	03780	1826-1536
NE553ZAN	02910	1826-1279	PAL16L2CJ UNPRGMD	04092	1820-2781		RTC-58321	10421	1813-0485
NE5553N	02910	1826-0625	PAL16L2CN UNPRGMD	04092	1820-4501		RTC62421	10421	1820-5384
NE5553JG	01698	1820-2827	PAL16L6CN UNPRGMD	04092	1820-3530		RV4558DE	02290	1826-0328
NE5555N	02910	1826-0180	PAL16L8A-2CJ UNPRGMD	04092	1820-2670		S1602P	03677	1820-3215
NE5555T	02910	1826-0119	PAL16L8A-2CN UNPRGMD	01698	1820-4879		S2350-2	03677	1820-1754
NE5560N	02910	1826-0806	PAL16L8A-4CN UNPRGMD	04092	1820-5065		S2859P	03677	1820-2989
NE5561L	02910	1826-1051	PAL16L8ACN UNPRGMD	04092	1820-5288		S3522P	03677	1826-1060
NE5566N	02910	1826-1676	PAL16L8B-2CJ UNPRGMD	04092	1820-4857		S52	03545	1820-0138
NE556N	02910	1826-0205	PAL16L8B-2CN UNPRGMD	04092	1820-4969		S5733A	02910	1826-0040
NE562B	02910	1826-0047	PAL16L8B-4CNS UNPRGMD	04092	1820-5244		S8280F	02910	1820-0419
NE564N	02910	1826-1054	PAL16L8BNC UNPRGMD	04092	1820-4972		S8292F	02910	1820-1098
NE565N	02910	1826-0204	PAL16L8BNC UNPRGMD	03406	1820-4755		SAAL027	05946	1820-1682
NE566H	02910	1826-0189	PAL16L8BNC UNPRGMD	04092	1820-5215		SC11001CN	11943	1820-1532
NE566N	02910	1826-0269	PAL16L8NC UNPRGMD	03406	1820-3571		SCC2691AC1N24	02910	1820-4859
NE567N	02910	1826-0219	PAL16R4-2CJ UNPRGMD	04092	1820-3291		SCN2641CC1N24	02910	1820-3941
NE570N	02910	1826-0703	PAL16R4A-2CJ UNPRGMD	04092	1820-2681		SCN2672BC4N40	02910	1820-4177
NE587N	02910	1820-3395	PAL16R4A-2CN UNPRGMD	04092	1820-3600		SCN2681AC1N40	02910	1820-1358
NE590F	02910	1820-2266	PAL16R4A-4CN UNPRGMD	04092	1820-4582		SD5000B	02910	1826-0415
NE591F	02910	1820-2267	PAL16R4ACN UNPRGMD	04092	1820-3492		SDA6020	06121	1826-1153
NE592D	01698	1826-1651	PAL16R4B-2CNS UNPRGMD	04092	1820-5158		SDM857KG	05436	1813-0140
NE592H	02910	1826-0546	PAL16R4BCN UNPRGMD	04092	1820-4750		SE555CT	02910	1826-0224
NE592N	02037	1826-1333	PAL16R4BNC UNPRGMD	03406	1820-4757		SE555T	02910	1826-0400
NEL-D32-46-2	00039	1813-0553	PAL16R6-2CJ UNPRGMD	04092	1820-3290		SFC2308UC	10881	1826-1144
NSC858N-4I	03406	1820-4886	PAL16R6A-2CN UNPRGMD	04092	1820-2680		SG1502N	03793	1826-0258
OP-01CJ	02180	1826-0440	PAL16R6A-4CN UNPRGMD	04092	1820-5482		SG1524J	03793	1826-0872
OP-02CJ	02180	1826-1058	PAL16R6ACN UNPRGMD	04092	1820-5162		SG1532J	03793	1826-0728
OP-02CJ (SEL'D)	02180	1826-0561	PAL16R6AVC UNPRGMD	03406	1820-5392		SG323K SELECTED	03793	1826-0931
OP-02CJ	02180	1826-1349	PAL16R6B-4CNL UNPRGMD	04092	1820-5534		SG3423M SELECTED	03793	1826-0680
OP-04EY	02180	1826-0974	PAL16R6BCJ UNPRGMD	04092	1820-4493		SG3501AJ	03793	1826-0061
OP-05CJ	02180	1826-0229	PAL16R6BNC UNPRGMD	03406	1820-4758		SG3503Y	03793	1826-0544
OP-05CZ	02180	1826-1230	PAL16R8A-2CJ UNPRGMD	04092	1820-2575		SG3524 SELECTED	03793	1826-0637
OP-05EJ	02180	1826-0266	PAL16R8A-2CN UNPRGMD	04092	1820-3602		SG3524BN	03793	1826-1352
OP-07CJ SELECTED	02180	1826-0471	PAL16R8ACN UNPRGMD	04092	1820-4639		SG3524J	03793	1826-0428
OP-07CP	02180	1826-0635	PAL16R8B-4CNS UNPRGMD	04092	1820-5243		SG3524J SELECTED	03793	1826-0815
OP-07C8	10858	1826-1635	PAL16R8BCJ UNPRGMD	04092	1820-4494		SG3524N	03793	1826-0956
OP-07CZ	02180	1826-1048	PAL16R8BNC UNPRGMD	03406	1820-4756		SG3525AJ	03793	1826-0905
OP-07EJ	02180	1826-0845	PAL16R8NC UNPRGMD	03406	1820-5163		SG3526J	03793	1826-1040
OP-07EY	02180	1826-0641	PAL20L0IACJS UNPRGMD	04092	1820-4566		SG3526N	03793	1826-1448
OP-07EZ	02180	1826-1149	PAL20L0IACNS UNPRGMD	04092	1820-5207		SG3527AJ	03793	1826-1243
OP-08FP	02180	1826-0986	PAL20L01CJ	04092	1820-3325		SG353K-12	03793	1826-1014
OP-08GJ (SELECTED)	02180	1826-0553	PAL20L01CNS UNPRGMD	04092	1820-3388		SG3547N	03793	1826-0867
OP-11EY	02180	1826-0616	PAL20L8ACNS UNPRGMD	04092	1820-3615		SG3549M	03793	1826-0959
OP-11FY	02180	1826-0628	PAL20L8BCNS UNPRGMD	04092	1820-4970		SG3627	03793	1820-2590
OP-14CJ	02180	1826-0542	PAL20R4ACJ UNPRGMD	04092	1820-4351		SG3731J	03793	1826-1038
OP-14CP	02180	1826-1061	PAL20R4ACN UNPRGMD	04092	1820-3613		SG7812AC-K	03793	1826-1082
OP-14CZ	02180	1826-1298	PAL20R6ACJ UNPRGMD	04092	1820-3553		SG7912AC-K	03793	1826-1083
OP-14EZ	02180	1826-1165	PAL20R6ACNS UNPRGMD	04092	1820-4110		SI7135CJ	02883	1826-1515
OP-15EJ	02180	1826-1185	PAL20R8ACJ UNPRGMD	04092	1820-3324		SI7661CJ	02883	1826-1583
OP-15EZ	02180	1826-1197	PAL20R8ACNL UNPRGMD	04092	1820-5079		SI7661CJ (SELECTED)	02883	1826-1520
OP-15FJ	02180	1826-0937	PAL20R8ACNS UNPRGMD	04092	1820-3614		SL441A	01590	1826-0676
OP-15GJ	02180	1826-0828	PAL20R8BCNS UNPRGMD	04092	1820-4751		SL441C	01590	1826-1555
OP-15GZ	02180	1826-1478	PAL20X8CJ UNPRGMD	04092	1820-3323		SL952	01590	1826-1754
OP-16E	02180	1826-0576	PAL20X8CNS UNPRGMD	04092	1820-3601		SM10105-1	05436	1826-1517
OP-16EZ	02180	1826-1492	PAL22V10L-25PC UNPRGMD	11345	1820-5505		SMC20	11542	1820-3864
OP-16FJ	02180	1826-0601	PALC16L8L-25PC UNPRGMD	01698	1820-5533		SMP-10EY	02180	1826-1145
OP-16FZ	02180	1826-0601	PALC22V10L-25PC UNPRGMD	11345	1820-5013		SMP-10FY	02180	1826-1140
OP-16GJ	02180	1826-1367	PALC22V10L-35PC UNPRGMD	11345	1820-5012		SMP-11EY	02180	1826-1244
OP-16GZ	02180	1826-1125	PBD3520	05917	1820-2446		SMP-11GJ	02180	1826-1029
OP-17EJ	02180	1826-1047	PCF8576T	02910	1820-5285		SMP-11GY	02180	1826-0988
OP-17EZ	02180	1826-1578	PCM53JG-V	05436	1826-1274		SMP-81FY	02180	1826-0727
OP-17FJ	02180	1826-0516	PGA102AG	05436	1826-1515		SN15830N	01698	1820-0086
OP-17FZ	02180	1826-0795	PIC600	00046	1813-0115		SN15845N	01698	1820-0318
OP-215EZ	02180	1826-1097	PIC601	00046	1813-0083		SN15862N	01698	1820-0310
OP-215FZ	02180	1826-1426	PIC602	02598	1826-1079		SN5400J	01698	1820-1093
OP-220GZ	02180	1826-1192	PIC611	00046	1813-0109		SN5400N	01698	1820-0448
OP-227EY	02180	1826-1631	PIC625	00046	1813-0184		SN5402J	01698	1820-1101
OP-27EN8	02180	1826-1150	PIC626	00046	1813-0110		SN5402N	01698	1820-0445
OP-27EJ	10858	1826-1511	PIC645	02598	1813-0114		SN5404J	01698	1820-1097
OP-27EZ	07050	1826-1135	PIC646	00046	1813-0082		SN5404N	01698	1820-1022
OP-27FJ	02180	1826-0932	PIC647	02598	1826-1080		SN5408J	01698	1820-1099
OP-27GJ	02180	1826-1007	PKD-01EP	02180	1826-1189		SN5408N	01698	1820-1379
OP-27GZ	02180	1826-1049	PKD-01EY	02180	1826-1217		SN5410J	01698	1820-1094
OP-37EJ	02180	1826-1084	PLS100F UNPRGMD	02910	1820-2247		SN5410N	01698	1820-0447
OP-37EZ	02180	1826-1568	PLS100N UNPRGMD	02910	1820-2457		SN54121J	01698	1820-1092
OP-37FJ	02180	1826-0977	PLS103N UNPRGMD	02910	1820-2494		SN5413J	01698	1820-1091
OP-37FZ	02180	1826-0987	PLS105F UNPRGMD	02910	1820-2820		SN54160N	01698	1820-1024
OP-37GP	02180	1826-1098	PLS105N UNPRGMD	02910	1820-2736		SN54192N	01698	1820-1378
OP-37GZ	02180	1826-0982	PLS151N UNPRGMD	02910	1820-2938		SN54196J	01698	1820-1096
OP-421HY	02180	1826-1006	PLS153AM UNPRGMD	02910	1820-3531		SN54197J	01698	1820-2043
OP-50FY	02180	1826-1093	PLS153N UNPRGMD	02910	1820-2864		SN54199J	01698	1820-1083
OFA111AM	05436	1826-1650	PLS155N UNPRGMD	02910	1820-3995		SN5423J	01698	1820-1878
OFA111BM	05436	1813-0437	PLS159N UNPRGMD	02910	1820-3779		SN5430J	01698	1820-1070
OFA606KP	05436	1826-1654	PLS168AM UNPRGMD	02910	1820-5029		SN5432N	01698	1820-1381
OFA606LM	05436	1826-1744	PLS179N UNPRGMD	02910	1820-5216		SN5442AJ	01698	1820-2082
P2401	038								

JDEC

Mfr. HP P/N

SN54LS00J	01698	1820-1879	SN74298N	01698	1820-1100	SN74ALS1623N	01698	1820-3236
SN54LS02J	01698	1820-1799	SN7430N	01698	1820-0070	SN74ALS1628N	01698	1820-2778
SN54LS08J	01698	1820-2248	SN7432N	01698	1820-0661	SN74ALS1638D	01698	1820-4929
SN54LS10J	01698	1820-2249	SN7433N	01698	1820-1124	SN74ALS1638N	01698	1820-2779
SN54LS11J	01698	1820-2261	SN74351N	01698	1820-1462	SN74ALS164D	01698	1820-4265
SN54LS138J	01698	1820-2529	SN74365AN	01698	1820-2007	SN74ALS164FN	01698	1820-3875
SN54LS174J	01698	1820-2064	SN74376N	01698	1820-3152	SN74ALS164N	01698	1820-4313
SN54LS196J	01698	1820-2251	SN7437N	01698	1820-0539	SN74ALS165D	01698	1820-4266
SN54LS221J	01698	1820-2042	SN7438D	01698	1820-5284	SN74ALS165FN	01698	1820-3813
SN54LS27J	01698	1820-1880	SN7438J	01698	1820-2351	SN74ALS166D	01698	1820-4962
SN54LS30J	01698	1820-2250	SN7438N	01698	1820-0621	SN74ALS166N	01698	1820-3982
SN54LS669J	01698	1820-2559	SN74390N	01698	1820-1463	SN74ALS168AN	01698	1820-3762
SN54LS74AJ	01698	1820-1798	SN74393N	01698	1820-1464	SN74ALS168BD	01698	1820-4268
SN54S00J	01698	1820-1253	SN7440N	01698	1820-0071	SN74ALS168BFN	01698	1820-3818
SN54S30J	01698	1820-2252	SN7442AN	01698	1820-0214	SN74ALS169BD	01698	1820-4269
SN54S40J	01698	1820-2253	SN7445N	01698	1820-0468	SN74ALS169BFN	01698	1820-3819
SN54S53BJ	01698	1820-2236	SN7446AN	01698	1820-1037	SN74ALS169BN	01698	1820-3353
SN54S61JG	01698	1820-2282	SN7447AN	01698	1820-0995	SN74ALS174D	01698	1820-4930
SN54S62JG	01698	1820-2283	SN7448N	01698	1820-1038	SN74ALS174N	01698	1820-3465
SN72710N	01698	1820-0398	SN74490N	01698	1820-1465	SN74ALS175D	01698	1820-4935
SN72LO22L	01698	1826-0301	SN7450N	01698	1820-0072	SN74ALS175FN	01698	1820-3411
SN7400N	01698	1820-0054	SN7451N	01698	1820-0063	SN74ALS175N	01698	1820-3466
SN7401N	01698	1820-0327	SN7453N	01698	1820-0084	SN74ALS180AN	01698	1820-4167
SN7402N	01698	1820-0328	SN7454N	01698	1820-0074	SN74ALS1805AN	01698	1820-5183
SN7403N	01698	1820-0269	SN7450N	01698	1820-0085	SN74ALS190D	01698	1820-4270
SN7404N	01698	1820-0174	SN7470N	01698	1820-0065	SN74ALS190FN	01698	1820-3873
SN7405N	01698	1820-0175	SN7472N	01698	1820-0304	SN74ALS190N	01698	1820-3763
SN7406D	01698	1820-5026	SN7473N	01698	1820-0075	SN74ALS191D	01698	1820-4271
SN7406N	01698	1820-0471	SN7474N	01698	1820-0077	SN74ALS191FN	01698	1820-3906
SN7406N	01698	1820-3447	SN7475N	01698	1820-0301	SN74ALS191N	01698	1820-3505
SN7407J	01698	1820-2593	SN7476N	01698	1820-0076	SN74ALS192N	01698	1820-3598
SN7407N	01698	1820-0668	SN7480N	01698	1820-0362	SN74ALS193N	01698	1820-3375
SN7408N	01698	1820-0511	SN7482N	01698	1820-0363	SN74ALS20AD	01698	1820-5075
SN7409N	01698	1820-0513	SN7483AN	01698	1820-0305	SN74ALS20AN	01698	1820-2774
SN74100N	01698	1820-0425	SN7485N	01698	1820-0921	SN74ALS21N	01698	1820-2888
SN74104N	01698	1820-1002	SN7486N	01698	1820-0282	SN74ALS22AN	01698	1820-3758
SN74107N	01698	1820-0281	SN7490AN	01698	1820-0055	SN74ALS232AN	01698	1820-4670
SN74109N	01698	1820-1116	SN7491AN	01698	1820-0364	SN74ALS236N	01698	1820-5228
SN7410N	01698	1820-0068	SN7492AN	01698	1820-0056	SN74ALS240A-1N	01698	1820-3782
SN74111N	01698	1820-1229	SN7493AN	01698	1820-0099	SN74ALS240ADW	01698	1820-4787
SN74116N	01698	1820-1793	SN7494N	01698	1820-0366	SN74ALS240AFN	01698	1820-4272
SN74120N	01698	1820-2164	SN7495AN	01698	1820-0367	SN74ALS240AN	01698	1820-2951
SN74121N	01698	1820-0261	SN7496N	01698	1820-0368	SN74ALS241A-1N	01698	1820-4162
SN74122N	01698	1820-0704	SN7497N	01698	1820-0744	SN74ALS241ADW	01698	1820-5233
SN74123N	01698	1820-0579	SN74ALS00AD	01698	1820-4291	SN74ALS241AFN	01698	1820-3412
SN74126N	01698	1820-1214	SN74ALS00AN	01698	1820-2656	SN74ALS241AN	01698	1820-4350
SN74128N	01698	1820-1074	SN74ALS01N	01698	1820-3335	SN74ALS243AD	01698	1820-5179
SN7412N	01698	1820-0907	SN74ALS02D	01698	1820-4245	SN74ALS243AN	01698	1820-3994
SN74132N	01698	1820-1056	SN74ALS02N	01698	1820-2739	SN74ALS244A-1N	01698	1820-4233
SN74136N	01698	1820-1250	SN74ALS03BD	01698	1820-5180	SN74ALS244ADW	01698	1820-4788
SN7413N	01698	1820-0537	SN74ALS03BN	01698	1820-3270	SN74ALS244AFN	01698	1820-4273
SN74141N	01698	1820-0707	SN74ALS04BD	01698	1820-4249	SN74ALS244AN	01698	1820-3145
SN74143J	01698	1820-1271	SN74ALS04BN	01698	1820-2634	SN74ALS244N	02037	1820-3607
SN74143N	01698	1820-1171	SN74ALS05AD	01698	1820-4250	SN74ALS245A-1N	01698	1820-3714
SN74145N	01698	1820-0491	SN74ALS05AFN	01698	1820-3904	SN74ALS245ADW	01698	1820-4790
SN74147N	01698	1820-1082	SN74ALS05AN	01698	1820-3376	SN74ALS245AFN	01698	1820-4274
SN74148N	01698	1820-1473	SN74ALS05D	01698	1820-4243	SN74ALS245AN	01698	1820-3121
SN7414N	01698	1820-1053	SN74ALS08N	01698	1820-2635	SN74ALS245N	02037	1820-2913
SN74150N	01698	1820-0640	SN74ALS09D	01698	1820-5235	SN74ALS251D	01698	1820-4259
SN74151AN	01698	1820-0622	SN74ALS09N	01698	1820-3394	SN74ALS251FN	01698	1820-3811
SN74153N	01698	1820-0620	SN74ALS1000AN	01698	1820-3708	SN74ALS251N	01698	1820-3764
SN74155N	01698	1820-0738	SN74ALS1002AN	01698	1820-3105	SN74ALS252AD	01698	1820-4260
SN74156N	01698	1820-1046	SN74ALS1003AN	01698	1820-4349	SN74ALS253FN	01698	1820-3812
SN74157N	01698	1820-0762	SN74ALS1004FN	01698	1820-3797	SN74ALS253N	01698	1820-3439
SN74159N	01698	1820-1257	SN74ALS1004N	01698	1820-3633	SN74ALS257D	01698	1820-4261
SN74160N	01698	1820-0899	SN74ALS1005J	01698	1820-3756	SN74ALS257FN	01698	1820-3874
SN74161N	01698	1820-0716	SN74ALS1005N	01698	1820-3562	SN74ALS257N	01698	1820-3438
SN74162N	01698	1820-1185	SN74ALS1008AN	01698	1820-3480	SN74ALS258N	01698	1820-3765
SN74163N	01698	1820-0713	SN74ALS1010AFN	01698	1820-3799	SN74ALS259D	01698	1820-4263
SN74164N	01698	1820-1064	SN74ALS1010AN	01698	1820-3382	SN74ALS259N	01698	1820-4075
SN74165N	01698	1820-1042	SN74ALS1011AFN	01698	1820-3804	SN74ALS273DN	01698	1820-4277
SN74166N	01698	1820-1107	SN74ALS1012AFN	01698	1820-3800	SN74ALS273FN	01698	1820-3871
SN74167N	01698	1820-0909	SN74ALS1032AN	01698	1820-3401	SN74ALS273N	01698	1820-3318
SN7416J	01698	1820-2586	SN74ALS1034N	01698	1820-3343	SN74ALS274N	01698	1820-4246
SN7416N	01698	1820-0577	SN74ALS1035N	01698	1820-3437	SN74ALS27FN	01698	1820-3802
SN74173N	01698	1820-1192	SN74ALS1039AD	01698	1820-4928	SN74ALS28AN	01698	1820-2881
SN74174N	01698	1820-0788	SN74ALS109AN	01698	1820-2758	SN74ALS29827MT	01698	1820-3479
SN74175N	01698	1820-0839	SN74ALS10AD	01698	1820-4252	SN74ALS299FN	01698	1820-5185
SN74178N	01698	1820-1258	SN74ALS10AN	01698	1820-2775	SN74ALS299N	01698	1820-3814
SN74179N	01698	1820-1259	SN74ALS112AD	01698	1820-4276	SN74ALS299N	01698	1820-3104
SN7417N	01698	1820-0618	SN74ALS112AFN	01698	1820-3808	SN74ALS30AD	01698	1820-4353
SN74180N	01698	1820-0435	SN74ALS112AN	01698	1820-2772	SN74ALS30AN	01698	1820-2773
SN74181N	01698	1820-0606	SN74ALS113AN	01698	1820-3761	SN74ALS323DW	01698	1820-5312
SN74182N	01698	1820-0611	SN74ALS114AN	01698	1820-5145	SN74ALS32D	01698	1820-4247
SN74184N	01698	1820-1267	SN74ALS11AD	01698	1820-4244	SN74ALS32N	01698	1820-2657
SN74185AN	01698	1820-1141	SN74ALS11AN	01698	1820-2889	SN74ALS33AN	01698	1820-3759
SN74190N	01698	1820-0734	SN74ALS124FN	01698	1820-3805	SN74ALS332N	01698	1820-4642
SN74191N	01698	1820-0545	SN74ALS124HA-1N	01698	1820-3239	SN74ALS333N	01698	1820-4592
SN74192N	01698	1820-0546	SN74ALS124AFN	01698	1820-3806	SN74ALS35AN	01698	1820-5035
SN74194N	01698	1820-0743	SN74ALS1244AN	01698	1820-3277	SN74ALS365N	01698	1820-4314
SN74195N	01698	1820-1027	SN74ALS1245A-1N	01698	1820-3238	SN74ALS367N	01698	1820-4315
SN74196N	01698	1820-0751	SN74ALS1245AFN	01698	1820-3870	SN74ALS368N	01698	1820-4316
SN74197N	01698	1820-0765	SN74ALS1245AN	01698	1820-3287	SN74ALS373DW	01698	1820-5241
SN74198N	01698	1820-1032	SN74ALS12AN	01698	1820-3468	SN74ALS373FN	01698	1820-3815
SN74199N	01698	1820-0726	SN74ALS131N	01698	1820-4655	SN74ALS374DW	01698	1820-5002
SN7420N	01698	1820-0069	SN74ALS133D	01698	1820-5234	SN74ALS374N	01698	1820-3294
SN74221N	01698	1820-1260	SN74ALS133N	01698	1820-3372	SN74ALS377N	02037	1820-3690
SN7422J	01698	1820-2304	SN74ALS137N	01698	1820-3258	SN74ALS37AN	01698	1820-3402
SN7422N	01698	1820-1256	SN74ALS138D	01698	1820-4257	SN74ALS38AD	01698	1820-4931
SN7423N	01698	1820-0538	SN74ALS138N	01698	1820-3809	SN74ALS38AN	01698	1820-3349
SN74247N	01698	1820-1580	SN74ALS138N	01698	1820-3100	SN74ALS40AN	01698	1820-3760
SN7425N	01698	1820-0655	SN74ALS139D	01698	1820-4258	SN74ALS465AN	01698	1820-4578
SN74265N	01698	1820-1460	SN74ALS139FN	01698	1820-3810	SN74ALS466AN	01698	1820-3638
SN7426N	01698	1820-0514	SN74ALS139N	01698	1820-4165	SN74ALS518N	01698	1820-4950
SN74273	01698	1820-1461	SN74ALS151N	01698	1820-3391	SN74ALS520DW	01698	1820-4932
SN74276N	01698	1820-2127	SN74ALS153D	01698	1820-5076	SN74ALS520N	01698	1820-3416
SN74278N	01698	1820-1728	SN74ALS153N	01698	1820-3397	SN74ALS521N	01698	1820-3472
SN74279N	01698	1820-1089						

JDEC	Mfr.	HP P/N						
SN74ALS564ADW	01698	1820-5132	SN74AS230N	01698	1820-3923	SN74HS3M	01698	1820-0380
SN74ALS564AN	01698	1820-4720	SN74AS231N	01698	1820-3922	SN74HS4N	01698	1820-0381
SN74ALS569ADW	01698	1820-5232	SN74AS240N	01698	1820-3543	SN74HS5N	01698	1820-0382
SN74ALS569AN	01698	1820-3217	SN74AS241N	01698	1820-3715	SN74HS6N	01698	1820-0383
SN74ALS573BD	01698	1820-4264	SN74AS242N	01698	1820-4171	SN74HS1N	01698	1820-0384
SN74ALS573BFN	01698	1820-3876	SN74AS243D	01698	1820-4776	SN74HS2N	01698	1820-0385
SN74ALS573BN	01698	1820-2724	SN74AS243N	01698	1820-3746	SN74HS7N	01698	1820-0386
SN74ALS574ADW	01698	1820-4279	SN74AS244DW	01698	1820-5325	SN74HS72N	01698	1820-0387
SN74ALS574AFN	01698	1820-3872	SN74AS244N	01698	1820-3541	SN74HS73N	01698	1820-0391
SN74ALS574AN	01698	1820-2757	SN74AS245DW	01698	1820-5134	SN74HS74N	01698	1820-0512
SN74ALS575ANT	01698	1820-3993	SN74AS245N	01698	1820-1096	SN74HS76N	01698	1820-0752
SN74ALS576N	01698	1820-2882	SN74AS250NT	01698	1820-4654	SN74HS7M	01698	1820-0740
SN74ALS577NT	01698	1820-4076	SN74AS253D	01698	1820-5314	SN74HS87M	01698	1820-4654
SN74ALS580AN	01698	1820-3003	SN74AS253N	01698	1820-3747	SN74HC00D	01698	1820-5220
SN74ALS5820AN	01698	1820-4170	SN74AS257D	01698	1820-4285	SN74HC01D	01698	1820-5220
SN74ALS5821A-1N	01698	1820-5187	SN74AS257N	01698	1820-4285	SN74HC02D	01698	1820-4653
SN74ALS5822A-1N	01698	1820-5188	SN74AS257FN	01698	1820-3748	SN74HC03D	01698	1820-4675
SN74ALS5823AN	01698	1820-3905	SN74AS257M	01698	1820-3748	SN74HC148N	01698	1820-4675
SN74ALS5823AJD	01698	1820-3559	SN74AS258N	01698	1820-3749	SN74HC156N	01698	1820-4149
SN74ALS5839N	02037	1820-3308	SN74AS27D	01698	1820-4964	SN74HC190N	01698	1820-4054
SN74ALS5840A-1N	01698	1820-3498	SN74AS27N	01698	1820-3606	SN74HC21N	01698	1820-3793
SN74ALS5840AN	01698	1820-3362	SN74AS280D	01698	1820-5315	SN74HC258N	01698	1820-4676
SN74ALS5841AN	01698	1820-3380	SN74AS280N	01698	1820-4026	SN74HC377N	01698	1820-4208
SN74ALS5842AN	01698	1820-3668	SN74AS286N	01698	1820-4375	SN74HC490N	01698	1820-4677
SN74ALS5845A-1N	01698	1820-3497	SN74AS299N	01698	1820-4678	SN74HC652NT	01698	1820-5023
SN74ALS5845AN	01698	1820-3481	SN74AS30N	01698	1820-4444	SN74HC682N	01698	1820-4179
SN74ALS5846DW	01698	1820-5318	SN74AS30Z	01698	1820-3734	SN74HC7001N	01698	1820-4534
SN74ALS5846MT	01698	1820-4391	SN74AS32D	01698	1820-4283	SN74HC805N	01698	1820-4719
SN74ALS5848NT	01698	1820-5025	SN74AS32N	01698	1820-3590	SN74HCCT240DW	01698	1820-4373
SN74ALS5852NT	01698	1820-4593	SN74AS333N	01698	1820-3750	SN74HCCT573N	01698	1820-4150
SN74ALS5853NT	01698	1820-4694	SN74AS373D	01698	1820-5316	SN74HCCT574DW	01698	1820-5077
SN74ALS5854-1NT	01698	1820-4126	SN74AS374N	01698	1820-3542	SN74HCCT574N	01698	1820-4152
SN74ALS5877NT	01698	1820-4649	SN74AS374DW	01698	1820-5317	SN74HCCT646NT	01698	1820-4588
SN74ALS5878NT	01698	1820-4497	SN74AS374FN	01698	1820-3824	SN74HCCT652NT	01698	1820-4607
SN74ALS5879N	01698	1820-4127	SN74AS533N	01698	1820-3695	SN74L121N	01698	1820-1270
SN74ALS5880N	01698	1820-3835	SN74AS533N	01698	1820-3563	SN74L122N	01698	1820-0913
SN74ALS5888DW	01698	1820-5259	SN74AS533N	01698	1820-3751	SN74L123N	01698	1820-1247
SN74ALS5888N	01698	1820-3106	SN74AS573DN	01698	1820-5133	SN74L153N	01698	1820-1163
SN74ALS5747N	01698	1820-5015	SN74AS573N	01698	1820-3881	SN74L154N	01698	1820-1949
SN74ALS74AD	01698	1820-4275	SN74AS574DW	01698	1820-4936	SN74L157N	01698	1820-1218
SN74ALS74AFN	01698	1820-3807	SN74AS574FN	01698	1820-3912	SN74L157N	01698	1820-1269
SN74ALS74AN	01698	1820-2488	SN74AS574N	01698	1820-4318	SN74L164N	01698	1820-0903
SN74ALS804FN	01698	1820-3798	SN74AS575N	01698	1820-4025	SN74L192N	01698	1820-0911
SN74ALS804N	01698	1820-3560	SN74AS576N	01698	1820-4169	SN74L193N	01698	1820-0912
SN74ALS805FN	01698	1820-3801	SN74AS580N	01698	1820-4077	SN74L42N	01698	1820-0777
SN74ALS805N	01698	1820-3718	SN74AS623N	01698	1820-3882	SN74L46N	01698	1820-1142
SN74ALS808FN	01698	1820-3803	SN74AS639N	01698	1820-4211	SN74L47N	01698	1820-1233
SN74ALS808N	01698	1820-3392	SN74AS640N	01698	1820-3971	SN74L73N	01698	1820-1731
SN74ALS832FN	01698	1820-3869	SN74AS641N	01698	1820-4129	SN74L75N	01698	1820-0876
SN74ALS832N	01698	1820-3467	SN74AS645N	01698	1820-3843	SN74L85N	01698	1820-1268
SN74ALS841NT	01698	1820-4535	SN74AS646DW	01698	1820-5323	SN74L93N	01698	1820-0443
SN74ALS843NT	01698	1820-4716	SN74AS646NT	01698	1820-4648	SN74L95N	01698	1820-0497
SN74ALS845NT	01698	1820-5148	SN74AS651NT	01698	1820-4650	SN74L98N	01698	1820-0656
SN74ALS867NT	01698	1820-5169	SN74AS652NT	01698	1820-4097	SN74L500J	01698	1820-2583
SN74ALS86D	01698	1820-4248	SN74AS74D	01698	1820-4289	SN74L500N	01698	1820-1197
SN74ALS86FN	01698	1820-3413	SN74AS74FN	01698	1820-3820	SN74L500N	01698	1820-1891
SN74ALS86N	01698	1820-3973	SN74AS74N	01698	1820-3493	SN74L502J	01698	1820-1647
SN74ALS873NT	01698	1820-3237	SN74AS76N	01698	1820-4708	SN74L502N	01698	1820-1144
SN74ALS874BDW	01698	1820-5310	SN74AS76N	01698	1820-4631	SN74L503N	01698	1820-1198
SN74ALS874NT	01698	1820-3143	SN74AS804AN	01698	1820-3442	SN74L504J	01698	1820-2582
SN74ALS876NT	01698	1820-3240	SN74AS804BDW	01698	1820-4961	SN74L504N	01698	1820-1199
SN74ALS878ANT	01698	1820-4657	SN74AS804FN	01698	1820-3891	SN74L505N	01698	1820-1200
SN74ALS880NT	01698	1820-3381	SN74AS804N	01698	1820-2557	SN74L507N	01698	1820-4348
SN74AS00D	01698	1820-4280	SN74AS805AFN	01698	1820-3892	SN74L508J	01698	1820-2581
SN74AS00N	01698	1820-3591	SN74AS805AN	01698	1820-3383	SN74L508N	01698	1820-1201
SN74AS02D	01698	1820-4282	SN74AS805BDW	01698	1820-5321	SN74L509N	01698	1820-1246
SN74AS02N	01698	1820-3729	SN74AS808AFN	01698	1820-3893	SN74L5107AN	01698	1820-1469
SN74AS04N	01698	1820-3608	SN74AS808AN	01698	1820-3443	SN74L5109AN	01698	1820-1282
SN74AS08D	01698	1820-4281	SN74AS808BDW	01698	1820-5020	SN74L5112AN	01698	1820-1202
SN74AS08N	01698	1820-4281	SN74AS808N	01698	1820-2558	SN74L5112AN	01698	1820-1212
SN74AS1000AD	01698	1820-5070	SN74AS821NT	01698	1820-4450	SN74L5113AN	01698	1820-1213
SN74AS1000AN	01698	1820-4142	SN74AS822NT	01698	1820-4653	SN74L5113AN	01698	1820-1821
SN74AS1004AD	01698	1820-5038	SN74AS823NT	01698	1820-4652	SN74L511N	01698	1820-1203
SN74AS1004AN	01698	1820-4345	SN74AS825NT	01698	1820-4715	SN74L5122N	01698	1820-1422
SN74AS1008N	01698	1820-3920	SN74AS826NT	01698	1820-4651	SN74L5123D	01698	1820-4256
SN74AS1032AN	01698	1820-3757	SN74AS832AFN	01698	1820-3894	SN74L5123FN	01698	1820-3901
SN74AS1034N	01698	1820-4591	SN74AS832AN	01698	1820-3384	SN74L5123J	01698	1820-2305
SN74AS1036N	01698	1820-4207	SN74AS832BDW	01698	1820-5320	SN74L5123N	01698	1820-1423
SN74AS109N	01698	1820-3735	SN74AS841NT	01698	1820-4109	SN74L5123N	01698	1820-3954
SN74AS10D	01698	1820-4963	SN74AS842NT	01698	1820-4033	SN74L5124N	01698	1820-1424
SN74AS10N	01698	1820-3731	SN74AS843NT	01698	1820-4579	SN74L5125AD	01698	1820-4786
SN74AS112D	01698	1820-4290	SN74AS845NT	01698	1820-4498	SN74L5125AN	01698	1820-1568
SN74AS112FN	01698	1820-3821	SN74AS851N	01698	1820-4168	SN74L5126AD	01698	1820-5324
SN74AS112N	01698	1820-4317	SN74AS866N	01698	1820-4594	SN74L5126AN	01698	1820-1645
SN74AS11D	01698	1820-5387	SN74AS867NT	01698	1820-3634	SN74L512N	01698	1820-1414
SN74AS11N	01698	1820-3732	SN74AS869NT	01698	1820-4445	SN74L5132N	01698	1820-1425
SN74AS138D	01698	1820-4284	SN74AS86N	01698	1820-3884	SN74L5132N	01698	1820-2237
SN74AS138FN	01698	1820-3895	SN74AS870NT	01698	1820-5021	SN74L5132N	01698	1820-3475
SN74AS138N	01698	1820-3934	SN74AS873NT	01698	1820-3544	SN74L5136N	01698	1820-1215
SN74AS151N	01698	1820-3736	SN74AS874N	01698	1820-4344	SN74L5137N	01698	1820-2550
SN74AS153N	01698	1820-3737	SN74AS876N	01698	1820-4565	SN74L5138N	01698	1820-1216
SN74AS157N	01698	1820-3738	SN74AS878NT	01698	1820-4658	SN74L5139AN	01698	1820-1281
SN74AS158N	01698	1820-3739	SN74AS881ANT	01698	1820-5064	SN74L513N	01698	1820-1415
SN74AS161N	01698	1820-3740	SN74AS882NT	01698	1820-3776	SN74L5145N	01698	1820-1426
SN74AS162N	01698	1820-3741	SN74AS885NT	01698	1820-2899	SN74L5147N	01698	1820-2200
SN74AS163D	01698	1820-4937	SN74HOON	01698	1820-0370	SN74L5148D	01698	1820-5112
SN74AS163N	01698	1820-3742	SN74HO1N	01698	1820-0605	SN74L514D	01698	1820-4251
SN74AS168D	01698	1820-4287	SN74HO4N	01698	1820-0424	SN74L514FN	01698	1820-3900
SN74AS168FN	01698	1820-3822	SN74HO5N	01698	1820-0613	SN74L514N	01698	1820-1416
SN74AS168N	01698	1820-3841	SN74HO10N	01698	1820-0739	SN74L5151N	01698	1820-1217
SN74AS169D	01698	1820-4288	SN74HO12N	01698	1820-0469	SN74L5153N	01698	1820-1244
SN74AS169FN	01698	1820-3823	SN74HO13N	01698	1820-0544	SN74L5155AN	01698	1820-1245
SN74AS169N	01698	1820-3842	SN74HO16N	01698	1820-0715	SN74L5156N	01698	1820-1427
SN74AS174N	01698	1820-3743	SN74HO18N	01698	1820-0631	SN74L5157N	01698	1820-1470
SN74AS175N	01698	1820-3698	SN74HO1N	01698	1820-0371	SN74L5158N	01698	1820-1428
SN74AS1804N	01698	1820-4459	SN74HL1N	01698	1820-0372	SN74L5		

JDEC	Mfr.	HP P/N	JDEC	Mfr.	HP P/N	JDEC	Mfr.	HP P/N
SN74LS166AD	01698	1820-5313	SN74LS42N	01698	1820-1418	SN74S174N	01698	1820-1076
SN74LS166AN	01698	1820-1922	SN74LS445N	01698	1820-3650	SN74S175N	01698	1820-1191
SN74LS169AN	01698	1820-2460	SN74LS449N	01698	1820-2759	SN74S181J	01698	1820-1974
SN74LS174N	01698	1820-1196	SN74LS447N	01698	1820-3621	SN74S181N	01698	1820-0999
SN74LS174N	01698	1820-1914	SN74LS47N	01698	1820-1602	SN74S182N	01698	1820-1305
SN74LS175N	01698	1820-3694	SN74LS48N	01698	1820-1604	SN74S194N	01698	1820-1304
SN74LS181N	01698	1820-1195	SN74LS490N	01698	1820-2078	SN74S195N	01698	1820-1303
SN74LS182N	02037	1820-2563	SN74LS491ANS	04092	1820-5184	SN74S196N	01698	1820-1869
SN74LS190N	01698	1820-1279	SN74LS498JS	04092	1820-3303	SN74S197N	01698	1820-1868
SN74LS191N	01698	1820-1278	SN74LS51N	01698	1820-1210	SN74S20N	01698	1820-0688
SN74LS192N	01698	1820-1277	SN74LS511N	01698	1820-3496	SN74S225N	01698	1820-2621
SN74LS193N	01698	1820-1194	SN74LS534N	04092	1820-2719	SN74S22N	01698	1820-0689
SN74LS194AD	01698	1820-4267	SN74LS540N	01698	1820-2710	SN74S240N	01698	1820-1633
SN74LS194AFN	01698	1820-3902	SN74LS541N	01698	1820-2711	SN74S241N	01698	1820-1624
SN74LS194AN	01698	1820-1276	SN74LS545N	01698	1820-1285	SN74S251N	01698	1820-1302
SN74LS195AN	01698	1820-1300	SN74LS555N	01698	1820-1284	SN74S257N	01698	1820-1301
SN74LS196N	01698	1820-1251	SN74LS589N	01698	1820-1284	SN74S258N	01698	1820-1309
SN74LS197N	01698	1820-1193	SN74LS590N	01698	1820-4644	SN74S260N	01698	1820-1275
SN74LS199N	01698	1820-4187	SN74LS592N	01698	1820-3144	SN74S280N	01698	1820-1638
SN74LS20J	01698	1820-2580	SN74LS593N	01698	1820-3167	SN74S281N	01698	1820-1456
SN74LS20N	01698	1820-1204	SN74LS595N	01698	1820-3160	SN74S283D	01698	1820-5131
SN74LS21N	01698	1820-1205	SN74LS596N	01698	1820-3423	SN74S283N	01698	1820-1871
SN74LS221J	01698	1820-2346	SN74LS597N	01698	1820-3536	SN74S299N	01698	1820-1457
SN74LS221N	01698	1820-1437	SN74LS598N	01698	1820-4553	SN74S30N	01698	1820-1323
SN74LS224N	01698	1820-2939	SN74LS599N	01698	1820-3022	SN74S32N	01698	1820-1449
SN74LS22Z	01698	1820-1274	SN74LS601N	01698	1820-3990	SN74S341N	01698	1820-2832
SN74LS240N	01698	1820-1917	SN74LS603AN	01698	1820-4489	SN74S373J	04092	1820-2185
SN74LS241N	01698	1820-1918	SN74LS604N	01698	1820-2722	SN74S373N	01698	1820-1676
SN74LS242N	01698	1820-2104	SN74LS606N	01698	1820-3161	SN74S374N	04092	1820-3830
SN74LS243N	01698	1820-1994	SN74LS612N	01698	1820-4374	SN74S377N	01698	1820-1677
SN74LS244N	01698	1820-2024	SN74LS620N	01698	1820-2723	SN74S37J	01698	1820-2666
SN74LS245N	01698	1820-2075	SN74LS621N	01698	1820-2967	SN74S37N	01698	1820-1450
SN74LS247N	01698	1820-1688	SN74LS623N	01698	1820-2672	SN74S381N	01698	1820-1458
SN74LS248N	01698	1820-1644	SN74LS624D	01698	1820-5001	SN74S38N	01698	1820-1451
SN74LS249N	01698	1820-1643	SN74LS624N	01698	1820-2622	SN74S40N	01698	1820-0690
SN74LS251N	01698	1820-1298	SN74LS625N	01698	1820-2655	SN74S451N	01698	1820-1158
SN74LS253N	01698	1820-1238	SN74LS628N	01698	1820-3241	SN74S64N	01698	1820-0691
SN74LS253N	01698	1820-4575	SN74LS629N	01698	1820-5404	SN74S65N	01698	1820-0692
SN74LS257BN	01698	1820-1438	SN74LS630N	01698	1820-2369	SN74S74N	01698	1820-0693
SN74LS257BN	01698	1820-2194	SN74LS640-1N	01698	1820-2819	SN74S74N	01698	1820-3953
SN74LS258BN	01698	1820-1439	SN74LS640N	01698	1820-3317	SN74S85N	01698	1820-1321
SN74LS258BN	01698	1820-1890	SN74LS642N	01698	1820-2206	SN74S86N	01698	1820-0694
SN74LS259BD	01698	1820-5240	SN74LS642N	01698	1820-2453	SN75068P	01698	1826-1710
SN74LS259FN	01698	1820-3903	SN74LS645N	01698	1820-3473	SN75107AN	01698	1820-0723
SN74LS259N	01698	1820-1729	SN74LS646NT	01698	1820-2268	SN75108BN	01698	1820-1310
SN74LS259N	02037	1820-2799	SN74LS647NT	01698	1820-2675	SN75109N	01698	1820-0722
SN74LS261N	01698	1820-1785	SN74LS648NT	01698	1820-3213	SN7510L	01698	1820-0083
SN74LS266N	01698	1820-1297	SN74LS648NT	01698	1820-3351	SN75110AN	01698	1820-1110
SN74LS266N	01698	1820-1417	SN74LS651NT	01698	1820-3002	SN75112N	01698	1820-1826
SN74LS266N	01698	1820-1889	SN74LS652NT	01698	1820-3706	SN75114N	01698	1820-2668
SN74LS273N	01698	1820-1730	SN74LS668N	01698	1820-1434	SN75115N	01698	1820-4840
SN74LS279AN	01698	1820-1440	SN74LS669N	01698	1820-1435	SN75116N	01698	1820-2128
SN74LS279AN	01698	1820-3495	SN74LS673N	01698	1820-2313	SN75117P	01698	1820-2159
SN74LS27J	01698	1820-2579	SN74LS674N	01698	1820-3669	SN75119P	01698	1820-2352
SN74LS27N	01698	1820-1206	SN74LS682N	01698	1820-2713	SN75123N	01698	1820-3539
SN74LS280N	01698	1820-1859	SN74LS684N	01698	1820-3305	SN75129N	01698	1820-3540
SN74LS283D	01698	1820-4262	SN74LS686NT	01698	1820-2610	SN75150P	01698	1820-1075
SN74LS283FN	01698	1820-3898	SN74LS691N	01698	1820-2937	SN75152N	01698	1820-3379
SN74LS283N	01698	1820-1441	SN74LS697N	01698	1820-3352	SN75153N	01698	1820-3302
SN74LS28N	01698	1820-1273	SN74LS699N	01698	1820-3771	SN75155D	01698	1820-4943
SN74LS290N	01698	1820-1442	SN74LS73AN	01698	1820-1574	SN75157P	01698	1820-3304
SN74LS292N	01698	1820-2947	SN74LS74AJ	01698	1820-1668	SN75159N	01698	1820-2362
SN74LS293N	01698	1820-1443	SN74LS74AN	01698	1820-1112	SN75160AN	01698	1820-2485
SN74LS294N	01698	1820-3118	SN74LS75N	01698	1820-1411	SN75161AN	01698	1820-2483
SN74LS295BN	01698	1820-1296	SN74LS76AN	01698	1820-2464	SN75162AN	01698	1820-2547
SN74LS298N	01698	1820-1444	SN74LS794N	04092	1820-3868	SN75172N	01698	1820-4735
SN74LS30N	01698	1820-1207	SN74LS83AN	01698	1820-0910	SN75173N	01698	1820-4734
SN74LS30N	01698	1820-3460	SN74LS85D	01698	1820-4255	SN75174N	01698	1820-2703
SN74LS31N	01698	1820-4347	SN74LS85FN	01698	1820-3897	SN75174N	01698	1820-2831
SN74LS320N	01698	1820-2592	SN74LS85N	01698	1820-1419	SN75175N	01698	1820-4138
SN74LS321N	01698	1820-3972	SN74LS86AJ	01698	1820-2587	SN75176AP	01698	1820-4461
SN74LS322AN	01698	1820-2201	SN74LS86AN	01698	1820-1211	SN75179AP	01698	1820-3333
SN74LS323N	01698	1820-2202	SN74LS890N	01698	1820-1190	SN75188D	01698	1820-5328
SN74LS324N	01698	1820-1642	SN74LS891N	01698	1820-1784	SN75189D	01698	1820-5329
SN74LS325N	01698	1820-2068	SN74LS892N	01698	1820-1420	SN75234N	01698	1820-2134
SN74LS32J	01698	1820-2585	SN74LS893N	01698	1820-1478	SN75235N	01698	1826-0094
SN74LS32N	01698	1820-1208	SN74LS895N	01698	1820-1283	SN75322N	01698	1820-1673
SN74LS32N	01698	1820-3956	SN74LS96N	01698	1820-1421	SN75325N	01698	1820-0568
SN74LS33J	01698	1820-2578	SN74LS96N	01698	1820-0681	SN75327N	01698	1820-2361
SN74LS33N	01698	1820-1272	SN74LS00N	01698	1820-1322	SN75361AN	01698	1820-1833
SN74LS348N	01698	1820-2121	SN74LS02N	01698	1820-3840	SN75361AP	01698	1820-1887
SN74LS352N	01698	1820-2536	SN74LS03N	01698	1820-0682	SN75363N	01698	1820-1982
SN74LS353N	01698	1820-2046	SN74LS04N	01698	1820-0683	SN75365N	01698	1820-2570
SN74LS354N	01698	1820-2613	SN74LS05N	01698	1820-0684	SN75367N	01698	1820-1611
SN74LS356N	01698	1820-1641	SN74LS08N	01698	1820-1367	SN75407P	01698	1820-3489
SN74LS365AN	01698	1820-1640	SN74LS08N	01698	1820-3839	SN75417ME	01698	1820-2181
SN74LS366AN	01698	1820-1491	SN74LS09N	01698	1820-1448	SN75437ANE	01698	1820-3845
SN74LS367AN	01698	1820-1892	SN74LS10N	01698	1820-0685	SN75446P	01698	1820-3524
SN74LS367AN	01698	1820-1492	SN74LS112D	01698	1820-5238	SN75447P	01698	1820-2715
SN74LS368AN	01698	1820-2102	SN74LS112FN	01698	1820-3913	SN75450BN	01698	1820-0902
SN74LS373N	01698	1820-2641	SN74LS112N	01698	1820-0629	SN754512N	01698	1820-0535
SN74LS374N	01698	1820-1445	SN74LS113N	01698	1820-0695	SN75452BJG	01698	1820-1800
SN74LS375N	01698	1820-4278	SN74LS114N	01698	1820-0696	SN75452BL	01698	1820-1669
SN74LS377D	01698	1820-3899	SN74LS11N	01698	1820-0686	SN75452BP	01698	1820-0799
SN74LS377FN	01698	1820-1858	SN74LS124N	01698	1820-1324	SN75453BP	01698	1820-1016
SN74LS377N	01698	1820-2056	SN74LS132N	01698	1820-1307	SN75454BP	01698	1820-1050
SN74LS378N	01698	1820-2244	SN74LS132N	01698	1820-3838	SN75461P	01698	1820-2044
SN74LS379N	01698	1820-1287	SN74LS133D	01698	1820-5319	SN75463N	01698	1820-2520
SN74LS379N	01698	1820-2244	SN74LS133N	01698	1820-1130	SN75468N	01698	1820-2111
SN74LS382AN	01698	1820-3770	SN74LS134N	01698	1820-1306	SN75469N	01698	1820-2243
SN74LS384N	01698	1820-3506	SN74LS135N	01698	1820-1639	SN75471P	01698	1820-2207
SN74LS385N	01698	1820-2764	SN74LS138N	01698	1820-1240	SN75473P	01698	1820-2850
SN74LS386AN	01698	1820-2584	SN74LS139N	01698	1820-1072	SN75477D	01698	1820-5568
SN74LS386AN	01698	1820-2764	SN74LS140N	01698	1820-0697	SN75477P	01698	1820-2110
SN74LS38J	01698	1820-1209	SN74LS145N	01698	1820-1319	SN75478P	01698	1820-3959
SN74LS390D	01698	1820-5311	SN74LS153N	01698	1820-0998	SN75491N	01698	1820-1230
SN74LS393D	01698	1820-4789	SN74LS157N	01698	1820-1077	SN75492		

JDEC	Mfr.	HP P/N						
SP322B	02910	1820-0202	TL084ACN	01698	1826-0572	UA78HGKC	02237	1813-0123
SP370N	02910	1820-0900	TL084BCN	01698	1826-0538	UA78L26AWC	02237	1826-0460
SP374N	02910	1820-0774	TL084CN	01698	1826-0410	UA78L62AWC	02237	1826-0586
SP380N	02910	1820-1187	TL094CN	01698	1826-0901	UA78M06HC	02237	1826-0349
SP616N	02910	1820-0318	TL170CLP	01698	1826-0757	UA78M12HC	02237	1826-0226
SP620N	02910	1820-0078	TL172C	01698	1826-1022	UA78M12UC	02237	1826-0345
SP629N	02910	1820-0319	TL182CN	01698	1826-0675	UA78M15HC	02237	1826-0512
SP631N	02910	1820-0067	TL185CN	01698	1826-1210	UA78MGHC	02237	1826-0584
SP659N	02910	1820-0320	TL376CNE	01698	1826-0859	UA78MGU1C	02237	1826-0484
SP670N	02910	1820-0302	TL431ACD	02037	1826-1643	UA78P05SC	02237	1813-0361
SP680N	02910	1820-0303	TL431CD	01698	1826-1601	UA78S40PC	02237	1826-0603
SP74HCT138N	09283	1820-3500	TL431CLP	01698	1826-0643	UA7905UC	02237	1826-0445
SP74HCT244N	09283	1820-3501	TL431CLP	01698	1826-1115	UA7915UC	02237	1826-0451
SP74HCT245N	09283	1820-3502	TL431CLP(SEL)	02037	1826-1258	UA7924CKC	01698	1826-0620
SP74HCT373N	09283	1820-3503	TL431CP	01698	1826-1343	UA7952UC	02237	1826-0404
SP74HCT374N	09283	1820-3504	TL4311LP	01698	1826-1474	UA79GKC	02237	1826-0444
SP8602BCM	01590	1820-5491	TL494CN	01698	1826-0565	UA79GULC	02237	1826-0444
SP8606B	01590	1820-2933	TL497CN	01698	1826-0450	UA79GKC	02237	1813-0127
SP8611BDG	01590	1820-2292	TL500ACN	01698	1826-0651	UA79M06AHC	02237	1826-0701
SP8617BDG	01590	1820-2338	TL5812N	01698	1820-4951	UA79M08AHC	02237	1826-0793
SP8620BDG	01590	1820-2047	TL594IN	01698	1826-1501	UA79M12AHC	02237	1826-0300
SP8647BDG	01590	1820-1384	TL601CP	01698	1826-0476	UA79M12UC	02237	1826-0649
SP8680BDG	01590	1820-3517	TL604IP	01698	1820-1973	UA79M12UC	02910	1826-0629
SP8685BDG	01590	1820-5492	TL607CP	01698	1820-1948	UA79M15AHC	02237	1826-0511
SP8691A	01590	1820-2914	TL610CP	01698	1826-0477	UA79M15AHC	02237	1826-0829
SP9131DG	01590	1820-4685	TL700MJ	01698	1820-0396	UA79MGHC	02237	1826-0583
SP9685CM	01590	1826-0975	TL7700ACP	01698	1826-1561	UA79MGU1C	02237	1826-0483
SP9687DGL6	01590	1826-1233	TL7702A	01698	1826-1245	UA9637ACP SELECTED	01698	1820-2953
SSI-105A	08608	1820-2426	TL7702ACD	01698	1826-1685	UA9638CP SELECTED	01698	1820-2952
SSI-13522	08608	1826-1392	TL7705A	01698	1826-1338	UA96501DC	02237	1826-0374
SSI104C	08608	1820-2425	TL7705CP-B	01698	1826-1273	UAA180	06121	1820-4660
SSI117-2 FDPID	08608	1826-1419	TL780-05C	01698	1826-1104	UC2834J	00046	1826-1308
SSI117-4 CERPACK	08608	1826-1336	TL780-15C	01698	1826-1106	UC2842N	00046	1826-1545
SSI501R-6CH	08608	1826-1540	TL783CKC	01698	1826-1062	UC2846N	00046	1826-1584
SSI510-4-CSE	08608	1826-1618	TL783CKC	01698	1826-1214	UC3524A-N	00046	1826-1050
SSS725B	02180	1826-0008	TL783CKC	01698	1826-1213	UC3834N	00046	1826-1327
SSS741CJ	02180	1826-0013	TL783CKC	01698	1826-1639	UC3840N	00046	1826-1340
SW-01FQ	02180	1826-0811	TL783CKC	01698	1826-1286	UC3846N	00046	1826-1576
SW-02FQ	02180	1826-0796	TL783CKC	01698	1826-1263	UC3901N	00046	1826-1524
SW-06GP	02180	1826-1086	TL783CKC	01698	1826-1215	UC3906N	00046	1826-1358
SW-06GQ	02180	1826-1186	TL783CKC	01698	1826-1611	UC4494AJ	00046	1826-1039
SZA266	02037	1826-0507	TL783CKC	01698	1826-1269	UCN-5800A	04200	1820-3289
TBA231A	06338	1826-0318	TL783CKC	01698	1826-1264	UCN-5801A	04200	1820-3165
TC40H000P	06354	1820-2909	TL783CKC	01698	1826-1330	UCN-5801A	04200	1820-4568
TC40H002P	06354	1820-2908	TL783CKC	01698	1826-1571	UDN-2543B	04200	1820-4599
TC40H0032P	06354	1820-3120	TL783CKC	01698	1826-1602	UDN-2585A	04200	1820-4843
TC40H076P	06354	1820-3001	TL783CKC	01698	1826-1439	UDN-2952W-2	04200	1826-1490
TC40H138P	06354	1820-2907	TL783CKC	01698	1826-1610	UDN-2957A	04200	1820-2755
TC40H245P	06354	1820-3015	TL783CKC	12147	1826-1595	UDN-2981A	04200	1820-2273
TC40H373P	06354	1820-2824	TMS0105NC	01698	1820-1232	UDN-2982A	04200	1820-2785
TC40H374P	06354	1820-2825	TMS2150-4ND	01698	1820-3246	UDN-2998W	04200	1820-5253
TC74HC04F	06354	1820-4119	TMS2150-4NT	01698	1820-5066	UDN-5703A	04200	1820-2682
TC74HC138F	06354	1820-4121	TMS2150-5JD	01698	1820-3471	UDN-5706A	04200	1820-2683
TC74HC244F	06354	1820-4123	TMS3002LR	01698	1820-0211	UDN-5707A	04200	1820-2020
TC74HC245F	06354	1820-4124	TMS3113NC	01698	1820-1186	UDN-6118A	04200	1820-3421
TC74HC374F	06354	1820-4122	TMS3120NC	01698	1820-1346	UGN-3020P	04200	1820-3243
TC74HC4094P	06354	1820-4443	TMS3122NC	01698	1820-1178	UHP-402	04200	1820-1120
TC74HC5922P	06354	1820-4995	TMS3129NC	01698	1820-2092	UHP-407	04200	1820-2129
TC74HC593P	06354	1820-5421	TMS4024NC	01698	1820-1174	UHP-408	04200	1820-1086
TC74HC74F	06354	1820-4120	TMS6011NC	01698	1820-1681	ULN-2061N	04200	1820-3512
TCM3105JE	01698	1826-1512	TOA3709V	01991	1820-0113	ULN-2064B	04200	1820-2170
TDA2030V	06338	1826-0996	TP53125N	03406	1826-1260	ULN-2065B	04200	1820-2473
TDA2654	05946	1826-0960	TR1602A	00575	1820-1219	ULN-2068B	04200	1820-2274
TDA3047	02910	1826-1577	TR1602B-05	00575	1820-1911	ULN-2069B	04200	1820-3637
TDA3303	02037	1826-1470	TR1863A	00575	1820-2419	ULN-2074B	04200	1820-2130
TDA4600	02037	1826-1146	TR1863B	00575	1820-2423	ULN-2111A	04200	1826-0029
TDA4601D	06121	1826-1421	TR1865B	00575	1820-2978	ULN-2814A	04200	1820-2892
TDA4700	06121	1826-1141	TR1865F-00	00575	1820-3122	ULN-37012V	04200	1826-1087
TDA4700A	06121	1826-1066	TSC911ACPA	02763	1826-1500	ULN-8126A	04200	1826-1507
TDA4714A	06121	1826-1351	TSC9404CJ	02763	1820-3861	ULQ-2065B	04200	1826-1505
TDA8173	06338	1826-1677	TSG85101P	10881	1826-1632	UM1500	04200	1820-0498
TDC1001J	04507	1826-1112	UA709CN	01698	1820-0397	UNG 3030U	04200	1820-3644
TDC1007	04507	1826-1025	UA711DC	02237	1826-0055	UPD369C	00039	1820-2060
TDC1010J	04507	1820-2452	UA711HC	02237	1820-0125	UPD7210	00039	1820-4520
TDC101487C	04507	1826-0781	UA711HC SELECTED	02237	1826-0063	UT-309	04200	1826-0868
TDC101687C8	04507	1826-1705	UA714HC	02237	1826-0543	UTO-517	03291	1813-0446
TDC1018DAC	04507	1826-1294	UA714LHC	02237	1826-0574	UTO-2012	03291	1813-0439
TDC104886	04507	1826-1472	UA715HC	02237	1820-0476	UTO-2013	03291	1826-1324
THCT2000	01698	1820-4554	UA723DC	02237	1826-0049	UTO-2023	03291	1813-0445
TIBPAL16L8-15CN UNFRGMD	01698	1820-3996	UA723HC	02237	1826-0010	UTO-2024	03291	1813-0444
TIBPAL16L8-25CFN UNFRGMD	01698	1820-5027	UA723HC	02237	1820-0439	UTO-2027 (SELECTED)	03291	1813-0516
TIBPAL16L8-25CN UNFRGMD	01698	1820-5461	UA726HC	02237	1826-0031	UTO-507	03291	1813-0316
TIBPAL16L8-12CN UNFRGMD	01698	1820-5420	UA733DC	02237	1826-0064	UTO-533	03291	1813-0447
TIBPAL16L8-15CN UNFRGMD	01698	1820-4052	UA733DC	02237	1826-1131	UTO-561	03291	1813-0317
TIBPAL16R6-15CN UNFRGMD	01698	1820-4051	UA733DC	02237	1820-0270	VI2P5	11561	1813-0515
TIBPAL16R8-15CN UNFRGMD	01698	1820-4050	UA734HC	02237	1826-0183	V6366B-J	12276	1820-5222
TIBPAL16R8-25CFN UNFRGMD	01698	1820-5028	UA739DC	02237	1826-0044	VCF62BP	05436	1826-1275
TIBPAL20L8-15CN UNFRGMD	01698	1820-5463	UA739DC	02237	1826-0885	VFC32KP	05436	1826-0624
TIBPAL20R4-15CNT UNFRGMD	01698	1820-5481	UA740HC	02237	1826-0056	VP5/5 (SELECTED)	11561	1813-0514
TIBPAL20R6-15CN UNFRGMD	01698	1820-5429	UA741HC	02237	1820-0203	VR-182A	10321	1826-1136
TIBPAL20R8-15CN UNFRGMD	01698	1820-5462	UA741HC SELECTED	02237	1826-0007	WD1010BL	00575	1820-3168
TIFFLA839NT UNFRGMD	01698	1820-4044	UA741TC (SELECTED)	02237	1820-0216	WD1100-13	00575	1820-3720
TIXL105	01698	1820-0279	UA741TC (SELECTED)	02237	1820-0217	WD1943M-06	00575	1820-3134
TL022CP	01698	1826-0770	UA749DC	02237	1826-0184	WD2010A-FL05	00575	1826-1156
TL061CP	01698	1826-0640	UA749DHC	02237	1826-0342	WD9216PA01	00575	1820-4673
TL062CP	01698	1826-0683	UA759T2C	02237	1826-0531	WJ-A19-1	02686	1826-1588
TL064CN	01698	1826-0786	UA759U1C	02237	1826-0833	XC79L05CG	02037	1826-0332
TL070CP	01698	1826-1364	UA760DC	02237	1826-0132	XC79L12CG	02037	1826-0331
TL071ACDP	10881	1826-1461	UA760HC	02237	1826-0231	XR-14412VP	00350	1826-1261
TL071BCP	01698	1826-0520	UA776TC	02237	1826-0212	XR-2120CP	00350	1826-1259
TL071CP	01698	1826-0519	UA7805UC	02237	1826-0122	XR-2133CP	00350	1826-1262
TL072ACP	01698	1826-0547	UA7812KC	02237	1826-0117	XR-2207CP	00350	1820-1648
TL072BCD	02037	1826-1644	UA7812UC	02237	1826-0099	XR-2209CN	00350	1826-0873
TL072BCF	01698	1826-1042	UA7812UC	02037	1826-0147	XR-2209CP SELECTED	00350	1826-1142
TL072CP	01698	1826-0521	UA7815KC	02237	1826-0203	XR-2211CP	00350	1826-1002
TL072MJG	01698	1826-0979	UA7815KC SELECTED	02237	1826-0725	XR-2240	00350	1820-1628
TL074ACJ	01698	1826-1290	UA7815UC	02237	1826-0106	XR-2242CN	00350	1820-2735
TL074ACN	01698	1826-0600	UA7815UC (SELECTED)	02237	1826-0617	XR-T5675CP	00350	1820-4791
TL074CD	01698	1826-1622	UA7824KC	02237	1826-0262	XR320	00350	1826-0237
TL074CN	01698	1826-0522	UA7885C(SELECTED)	02237	1826-1092	XTR110AG	05436	1826-1549
TL081CD	01698	1826-1636	UA788KC	02237	1826-0443</			

Safety-Related Service Notes

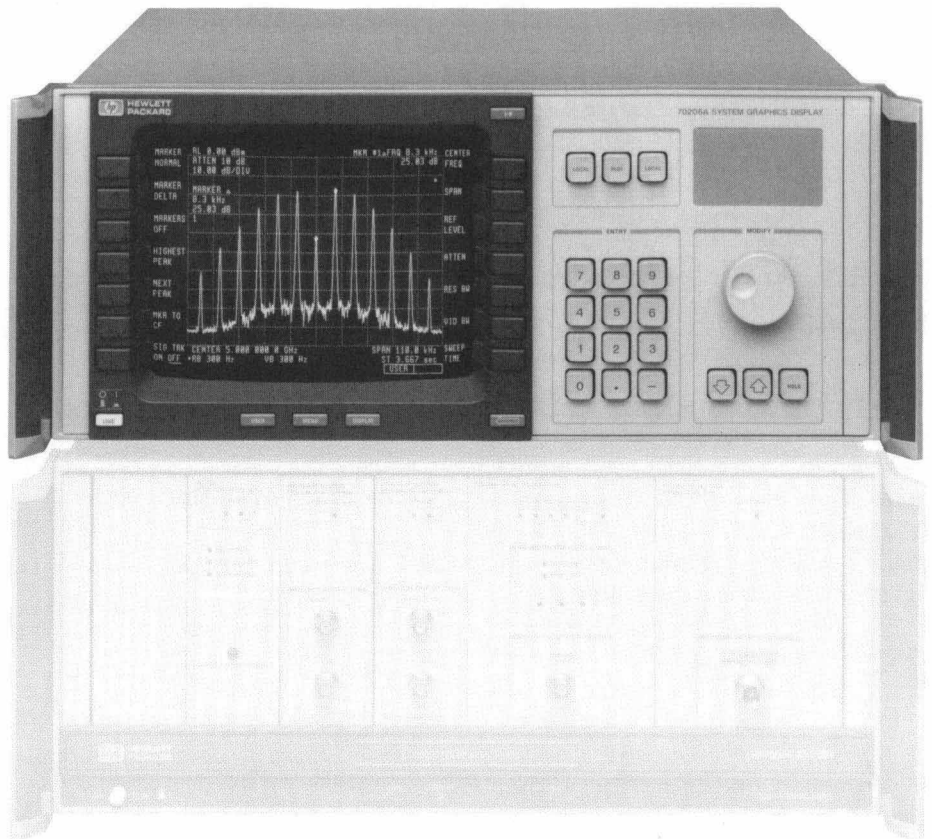
Service notes from HP relating to personal safety and possible equipment damage are of vital importance to our customers. To make you more aware of these important notes, they are printed on paper with a red border, and the service note number has a "S" suffix. In order to make you immediately aware of any potential safety problems, we are highlighting safety-related service notes here with a brief description of each problem. Also, in order to draw your attention to safety-related service notes on the service note order form at the back of *Bench Briefs*, each appropriate number is highlighted by being printed in color.

HP 8904A Multifunction Synthesizer

Product Safety Service Note 8904A-01-S describes a possible safety hazard that may exist if the grounding wire from the rear-panel line socket has not been wrapped and soldered in compliance with strict safety standards.

This condition does not create a safety hazard under normal use; however, a safety hazard can develop if the ground wire sustains heavy current for a long period of time, causing the solder connection to erode and disconnect. Should ground contact break, the chassis can no longer be guaranteed to be at ground potential. Or if the ground wire is disabled and the neutral or high lines of the power cord come in contact with the chassis through some other fault. The chassis then becomes a shock hazard.

Order safety service note 8904A-01-S using the *Bench Briefs* order form. The note explains how to check for the possible shock hazard and how to correct it.



HP 85043A System Cabinets

This racked system has had two cases of over-heated circuit breakers and their connecting wires over the past three years. The root cause of the failure in both cases was improper stripping of the insulation of the wires going to the circuit breakers and terminal block.

The fastening screw made poor contact with the wire, pushing its way through the insulation, as it was tightened-down. The resultant heat from the high resistance connection caused the insulation to melt and char.

We recommend that the connecting wires to the circuit breaker and terminal block be stripped to one centimeter and reconnected. The wires should NOT be solder tinned. If severe heat damage is observed on or near the connection, we recommend replacement of the circuit breaker and connecting wires.

This service should be performed as soon as possible. For more information please order safety service note 85043A-01-S from this issue of *Bench Briefs*.

HP 70206A System Graphics Display (used with the HP 70000 Measurement System)

A possible shock hazard may exist if resistor R1 (14.7 ohms) in the primary circuit shorts to the internal ground plane AND safety earth ground has been defeated. Note that this instrument is designed to be operated with safety earth ground intact. If R1 fails, normally the instrument line fuse will be blown, but if the safety earth ground is defeated, line potential will be on the instrument chassis.

If necessary, Hewlett-Packard will repair the HP 70206A at your site at no charge. Please order safety service note 70206A-02-S and contact your local HP Customer Service Center for more information. □

Need Any Service Notes?

They're free!

Here's the latest listing of service notes. They recommend modifications to Hewlett-Packard instruments to increase reliability, improve performance, or extend their usefulness.

Use the form at the rear of *Bench Briefs* to order, free of charge, service notes for several instruments.

If you would like to purchase large quantities of service notes covering a wide range of instruments, or if you desire a complete history of all service notes documenting all changes to your instruments, Hewlett-Packard offers a microfiche library for a one time charge. There is also a microfiche subscription service available that automatically updates the library on a quarterly schedule.

The part numbers for the service note microfiche library and subscription service are:

Library— 5951-6511
Subscription service— 5951-6517

Contact your local HP Sales Office for ordering information. □

HP 3326A TWO-CHANNEL SYNTHESIZER

3326A-5. Serial numbers 2516A01000 to 2516A01200 and 2516A01000 to 2516A01200. Intermittent phono cable/jack problems.

HP 3453A DIGITAL STIMULUS/RESPONSE UNIT

3453A-6A. All serials. Replacement procedures for the mother board within the 3453A DSRU.

HP 3456A DIGITAL VOLTMETER

3456A-22. All serials. Input circuit redesigned to improve performance.

HP 3457A MULTIMETER

3457A-8. All serials. Modification to prevent simultaneous channel closings on 44491A General Purpose Relay Card and 44492A Ten Channel Multiplexer Card.

3457A-9. Serials 2703A05068 and below. Modification to prevent turn-on failure.

HP 3552A TRANSMISSION TEST SET

3552A-16. All serials. Preferred replacement for A1 logic assembly and A5 power supply assembly.

HP 3562A DIGITAL SIGNAL ANALYZER

3562A-6. All serials. A3 ROM assembly part replacement instructions.

3562A-7. Serials 2502A01863 to 2708A02703. Prevent future failure, replace A2 U305 if the date code is 8637 to 8715.

3562A-8. Serials 2738A02920 and below. Modification to prevent excessive blowing of the line fuse when 220V selected.

HP 35650A SYSTEM MAINFRAME

3565S-1. Serials 2608A00300 and below. Main power switch replacement.

3565S-2. All serials. Recommended main power fuse for 230V operation only.

3565S-3. Serials 2608A00200 and below. Modification to prevent possible mainframe power supply damage.

HP 3764A DIGITAL TRANSMISSION ANALYZER

3764A-10A. All serials. Instructions to retrofit a printer to a 3764A.

3764A-11C. (A) serial prefixes below 2615U; (B) serial prefixes 2615U and above. Instructions to retrofit a tape cassette to a 3764A.

HP 3776A/B PCM TERMINAL TEST SET

3776A-32. All serials. Preferred replacement of A16C23 capacitor (HP P/N 0180-2811).

3776B-37. All serials. Retrofitting instructions for improved loudspeaker performance.

3776B-38. All serials. Preferred replacement of A16C23 capacitor (HP P/N 0180-2811).

HP 3779C/D PRIMARY MULTIPLEX ANALYZER

3779C-34. Serials 00685 and above. Instructions for replacing solder-in protection fuses in assemblies A16, A18, A20 and A31.

3779C-35. Serials 00607 and below. A27 assembly—preferred replacement for HP-IB PHI IC (U43).

3779D-39. Serials 00623 and above. Instructions for replacing solder-in protection fuses in assemblies A16, A18, A20 and A31.

3779D-40. Serials 00585 and below. A27 assembly—preferred replacement for HP-IB PHI IC (U43).

HP 3780A PATTERN GENERATOR/ERROR DETECTOR

3780A-32. All serials. Instructions to retrofit an RS-232-C printer port to the HP 3780A, in place of the standard BCD Printer Port.

HP 3787B DIGITAL DATA TEST SET

3787B-1. Serial numbers 2703U00160 and below, but excluding 2703U00106, 111, 113, 114, 117, 118, 120, 124, 130, 133, 137, 138, 140, 142 and 148 to 158. A modification to make the 3787B compatible with all existing DDS Interface formats.

HP 4278A 1kHz/1MHz CAPACITANCE METER

4278A-1. Serials 2740J00564 and below. (ROM Based Software: Version 2.1 and below). Installing the Option 301 Scanner Interface.

HP 4936A TRANSMISSION IMPAIRMENT MEASURING SET

4936A-9. All serials. Removal of front and rear panel assemblies from the spare parts price list.

HP 4938A NETWORK CIRCUIT ACCESS TEST SET

4938A-2. Serials 2450A00702 and below. Modification to correct a potential failure.

HP 4945A TMS INTERFACE MODULES

4945A-7. HP 18162A HP-IB and HP 18163A RS-232. Changes to the clock circuits to improve performance.

HP 4947A TRANSMISSION IMPAIRMENT MEASURING SET

4947A-7. All serials. Preferred replacement of A16C23 capacitor (HP P/N 0180-2811).

HP 4951C PROTOCOL ANALYZER

4951C-6. Serials 2547A02689 and below. Clock oscillator may cause an apparent floppy disc drive failure.

HP 4952A PROTOCOL ANALYZER

4952A-1. All serials. Instructions on replacing rear panel studs.

4952A-2. Serials 2725 and below. Improved yoke assembly that reduces time required to do the pincushioning process.

4952A-3. Serials 2726A01194 and below. Clock oscillator may cause an apparent floppy disc drive error.

HP 5335A UNIVERSAL FREQUENCY COUNTER

5335A-20A. All serials. New test procedures "rear panel—external arm switch test" and "rear panel—external arm slope switch test".

HP 5340A MICROWAVE FREQUENCY COUNTER

5340A-22. Series prefixes 2250A and below. Preamp retrofit kit.

HP 6030A SYSTEM DC POWER SUPPLY

6030A-7. All serials. A8 U8 ROM replacement and signature table.

HP 6031A SYSTEM DC POWER SUPPLY

6031A-9. All serials. A8 U8 ROM replacement and signature table.

HP 6032A SYSTEM DC POWER SUPPLY

6032A-8. All serials. A8 U8 ROM replacement and signature table.

HP 6033A SYSTEM DC POWER SUPPLY

6033A-6. All serials. A8 U8 ROM replacement and signature table.

HP 6038A SYSTEM DC POWER SUPPLY

6038A-4. All serials. A8 U8 ROM replacement and signature table.

HP 8170A LOGIC PATTERN GENERATOR

8170A-7. Serials 2036G01335 and below. Preferred replacement for ROM A1U4 (1818-0917).

HP 8180A/B DATA GENERATOR

8180A-3. Serials 2509G01086 and below. Modification to improve temperature profile of the 8180A.

8180A-4. Serials 2509G01055 and below. Modification to improve temperature sense circuitry.

8180A-5. Serials 2509G00906 and below. Modification to improve rectifier board 08180-66522.

8180A-6. Serials 2739G01106 and below. Substitution of replaceable boards between 8180A and 8180B.

8180B-1. Serials 2640G00100 to 2640G00111 only. Improved firmware revision.

HP 8181A DATA GENERATOR EXTENDER

8181A-3. Serials 2519G00596 and below. Modification to improve temperature profile of the 8181A.

8181A-4. Serials 2509G00586 and below. Modification to improve temperature sense circuitry.

HP 8182B DATA ANALYZER

8182B-1. Serials 2642G00100 to 2642G00111 only. Improved firmware revision.

HP 8481A POWER SENSOR

8481A-4. All serials. Curing high frequency CAL factor holes.

HP 8484A POWER SENSOR

8484A-2. All serials. Curing high frequency CAL factor holes.

HP 8553B SPECTRUM ANALYZER, RF SECTION

8553B-4. Serials 2217 through 2741. Improving input impedance.

HP 8557A SPECTRUM ANALYZER

8557A-1. Serials 2229A02805 and below. Recommended video filter potentiometer replacement.

HP 8559A SPECTRUM ANALYZER

8559A-28A. Serials 2347A04500 and below. Recommended video filter potentiometer replacement.

HP 8562A/B SPECTRUM ANALYZER

8562A-2A. All serials. ROM upgrade kit (HP P/N 08562-60062).

8562B-1A. All serials. ROM upgrade kit (HP P/N 08562-60062).

HP 8565A SPECTRUM ANALYZER

8565A-22. Serials 2608A03152 and below. Modification to prevent the +158 volt fuse from blowing.

HP 8566B SPECTRUM ANALYZER

8566B-12A. All serials and HP 8566AB retrofit kit (formerly 8566A+01K) all serials. Installation procedure for rebuilt A15 controller assembly.

8566B-19. All serials. Replacement RF attenuator retrofit kit with calibration PROM.

HP 8569B SPECTRUM ANALYZER

8569B-10. Serials 2607A02570 and below. Modification to prevent the +158 volt fuse from blowing.

HP 8590A SPECTRUM ANALYZERS

8590A-1. All serials. Replacing firmware ROMs.

8590A-2. All serials. Option H50 CATV retrofit installation instructions.

8590A-3. All serials. Making RS-232 cables for HP printers, plotters, and computers used with the HP 8590A Spectrum Analyzer.

8590A-4. All serials. Modification to create 120 and 9 kHz bandwidths for EMI Option H-51.

HP 8642B/M SYNTHESIZED SIGNAL GENERATOR

8642B-4. Serials 2737A and below. Modification to prevent -15V power supply fuse failure.

8642M-1. Serials 2737A and below. Modification to prevent -15V power supply fuse failure.

HP 8660D SYNTHESIZED SIGNAL GENERATOR

8660D-1. Serials 2733A and below. Modification to improve spurious sidebands.

HP 8671B SYNTHESIZED SIGNAL GENERATOR

8671B-1A. All serials. Modification to eliminate power-up delay.

HP 8672A/S SYNTHESIZED SIGNAL GENERATOR

8672A-18A. All serials. Modification to eliminate power-up delay.

8672S-1. All Serials. Preferred replacement for fuse A9F2.

HP 8673B/C SYNTHESIZED SIGNAL GENERATOR

8673B-10A. All serials. Modification to eliminate power-up delay.

8673C-7A. Serials 2626A and below. Millimetre-wave source modules compatability kit.

8673C-11A. All serials. Modification to eliminate power-up delay.

HP 8673D/E SYNTHESIZED SIGNAL GENERATOR

8673D-7A. Serials 2626A and below. Millimetre-wave source module compatability kit.

8673D-12A. All serials. Modification to eliminate power-up delay.

8673E-3. Serials 2708A and below. Recommended insulators for A3Q1 through A3Q4.

8673E-4A. All serials. Modification to eliminate power-up delay.

HP 8753A NETWORK ANALYZER

8753A-10. All serials. HP 8753A firmware rev. 1.00 anomalies and work-arounds.

HP 8904A MULTIFUNCTION SYNTHESIZER

8904A-1-S. Serials 2737A and below. Modification to prevent possible ground wire shock hazard.

HP 8970A NOISE FIGURE METER

8970A-11. All serials. Procedure to improve frequency calibration.

HP 15425A TESTHEAD

15425A-1. Serials 2606G00251 and below. Improved HP-IB control board.

HP 15466A TESTHEAD

15466A-1. Serials 2643G00105 to 2643G00114 only. Check for possible incorrect insertion of 15426A connectors.

15466A-2. Serials 2643G00119 and below. Modification to improve reset circuitry.

HP 35601A SPECTRUM ANALYZER INTERFACE

35601A-1. All serials. Modification to prevent excessive conversion loss.

HP 54111D DIGITIZING OSCILLOSCOPES

54111D-2. Serials 2710A and below. New A1 timebase board (HP P/N 54111-69516) corrects duplicate waveform display.

HP 54201A/D DIGITIZING OSCILLOSCOPES

54201A/D-4A. Serials 2716A and below. New A4 analog board assembly (HP P/N 54201-66507).

54201A/D-8. Model 54201D serials 2706A and below. Occasional failure of state QUAL/CLK test may be caused by firmware.

54201A/D-9. Model 54201A serials 2723A02064 and below; model 54201D serials 2723A01196 and below. New part numbers for firmware PROMs.

HP 64941A FLOPPY DISC DRIVE

64941A-3. Half height floppy disc drive replacement procedure.

HP 70001A MAINFRAME

70001A-5. Serials 2504A00644 and below. Loose HP-IB connector screws require replacement of the HP-MSIB cover.

HP 70205A GRAPHICS DISPLAY

70205A-2. Serials 2607A and below. CRT replacement instructions.

70205A-4. Serial number 2529A00543. Modification to prevent high-voltage failure.

HP 70206A SYSTEM GRAPHICS DISPLAY

70206A-1. Serials 2529A00336 and below. Loose HP-IB connector screws require replacement of the HP-MSIB cover.

70206A-5. Serials 2529A00432 and below. CRT replacement instructions.

70206A-7. Serials 2715A and below. A7 HP-MSIB assembly preferred replacement.

70206A-8. Serials 2529A00784 and below. Modification to prevent high-voltage failure.

70206A-9. Serials 2529A00527 and below. Modification to prevent intermittent blowing of line fuse.

HP 85043A/B SYSTEM CABINETS

85043A-1-S. 85043A serials 2622A01352 and below; 85043B serials 2623A00172 and below. Elimination of a potential safety hazard.

HP 85629A TEST AND ADJUSTMENT MODULE

85629A-1. All serials. Notification of ROM upgrade kit (HP P/N 85629-60002).

HP 86720A FREQUENCY EXTENSION UNIT

86720A-1. All serials. Preferred replacement for fuse A9F2.

Service Note Order Form

If you want service notes, please check the appropriate boxes below and return this form separately to one of the following addresses.

Hewlett-Packard
1820 Embarcadero Road
Palo Alto, California 94303

For European customers (ONLY)

Hewlett-Packard
Nederland BV
Central Mailing Dept.
P.O.Box 529
1180 AM Amstelveen
The Netherlands

Name _____

Firm _____

Address _____

City _____

State _____ Zip _____

- | | | | | |
|---|------------------------------------|------------------------------------|-------------------------------------|---------------------------------------|
| <input type="checkbox"/> 3326A-05 | <input type="checkbox"/> 3779D-40 | <input type="checkbox"/> 8180A-03 | <input type="checkbox"/> 8590A-02 | <input type="checkbox"/> 15466A-01 |
| <input type="checkbox"/> 3453A-06A | <input type="checkbox"/> 3780A-32 | <input type="checkbox"/> 8180A-04 | <input type="checkbox"/> 8590A-03 | <input type="checkbox"/> 15466A-02 |
| <input type="checkbox"/> 3456A-22 | <input type="checkbox"/> 3787B-01 | <input type="checkbox"/> 8180A-05 | <input type="checkbox"/> 8590A-04 | <input type="checkbox"/> 35601A-01 |
| <input type="checkbox"/> 3457A-08 | <input type="checkbox"/> 4278A-01 | <input type="checkbox"/> 8180A-06 | <input type="checkbox"/> 8642B-04 | <input type="checkbox"/> 54111D-02 |
| <input type="checkbox"/> 3457A-09 | <input type="checkbox"/> 4936A-09 | <input type="checkbox"/> 8180B-01 | <input type="checkbox"/> 8642M-01 | <input type="checkbox"/> 54201A/D-04A |
| <input type="checkbox"/> 3552A-16 | <input type="checkbox"/> 4938A-02 | <input type="checkbox"/> 8181A-03 | <input type="checkbox"/> 8660D-01 | <input type="checkbox"/> 54201A/D-08 |
| <input type="checkbox"/> 3562A-06 | <input type="checkbox"/> 4945A-07 | <input type="checkbox"/> 8181A-04 | <input type="checkbox"/> 8671B-01A | <input type="checkbox"/> 54201A/D-09 |
| <input type="checkbox"/> 3562A-07 | <input type="checkbox"/> 4947A-07 | <input type="checkbox"/> 8182B-01 | <input type="checkbox"/> 8672A-18A | <input type="checkbox"/> 64941A-03 |
| <input type="checkbox"/> 3562A-08 | <input type="checkbox"/> 4951C-06 | <input type="checkbox"/> 8481A-04 | <input type="checkbox"/> 8672S-01 | <input type="checkbox"/> 70001A-05 |
| <input type="checkbox"/> 3562S-01
3565S-01 | <input type="checkbox"/> 4952A-01 | <input type="checkbox"/> 8484A-02 | <input type="checkbox"/> 8673B-10A | <input type="checkbox"/> 70205A-02 |
| <input type="checkbox"/> 3565S-02 | <input type="checkbox"/> 4952A-02 | <input type="checkbox"/> 8553B-04 | <input type="checkbox"/> 8673C-07A | <input type="checkbox"/> 70205A-04 |
| <input type="checkbox"/> 3565S-03 | <input type="checkbox"/> 4952A-03 | <input type="checkbox"/> 8557A-01 | <input type="checkbox"/> 8673C-11A | <input type="checkbox"/> 70206A-01 |
| <input type="checkbox"/> 3764A-10A | <input type="checkbox"/> 5335A-20A | <input type="checkbox"/> 8559A-28A | <input type="checkbox"/> 8673D-07A | <input type="checkbox"/> 70206A-05 |
| <input type="checkbox"/> 3764A-11C | <input type="checkbox"/> 5340A-22 | <input type="checkbox"/> 8562A-02A | <input type="checkbox"/> 8673D-12A | <input type="checkbox"/> 70206A-07 |
| <input type="checkbox"/> 3776A-32 | <input type="checkbox"/> 6030A-07 | <input type="checkbox"/> 8562B-01A | <input type="checkbox"/> 8673E-03 | <input type="checkbox"/> 70206A-08 |
| <input type="checkbox"/> 3776B-37 | <input type="checkbox"/> 6031A-09 | <input type="checkbox"/> 8565A-22 | <input type="checkbox"/> 8673E-04A | <input type="checkbox"/> 70206A-09 |
| <input type="checkbox"/> 3776B-38 | <input type="checkbox"/> 6032A-08 | <input type="checkbox"/> 8566B-12A | <input type="checkbox"/> 8753A-10 | <input type="checkbox"/> 85043A-01-S |
| <input type="checkbox"/> 3779C-34 | <input type="checkbox"/> 6033A-06 | <input type="checkbox"/> 8566B-19 | <input type="checkbox"/> 8904A-01-S | <input type="checkbox"/> 85629A-01 |
| <input type="checkbox"/> 3779C-35 | <input type="checkbox"/> 6038A-04 | <input type="checkbox"/> 8569B-10 | <input type="checkbox"/> 8970A-11 | <input type="checkbox"/> 86720A-01 |
| <input type="checkbox"/> 3779D-39 | <input type="checkbox"/> 8170A-07 | <input type="checkbox"/> 8590A-01 | <input type="checkbox"/> 15425A-01 | |

Please photocopy this order form if you do not want to cut off the page.

HEWLETT-PACKARD COMPANY
1820 Embarcadero Road
Palo Alto, California 94303

BENCH BRIEFS
4TH QUARTER 1987

Volume 27 Number 4

Service information from
Hewlett-Packard Company

To obtain a qualification form for a free
subscription, send your request to the
above address.

Reader comments or technical article
contributions are welcomed.

Please send them to the
Bench Briefs Editor.

Editor: Jim Bechtold
Hewlett-Packard

Bulk Rate
U.S. Postage
PAID
Sunnyvale, CA.
Permit No.
804

BECHTOLD, JAMES
WORLDWIDE CUSTOMER SUPPORT
DDIV 5000 BLDG 360V

All rights reserved. Permission to reprint Bench Briefs granted upon written request to the Editor.

Printed in U.S.A.